

CM-113

REVISIONS

SYM	DESCRIPTION	DATE	E.M.N. NO.	DRAFT	CHKD	APPD
-----	-------------	------	------------	-------	------	------

CHART NO. 1
CHARACTERISTICS

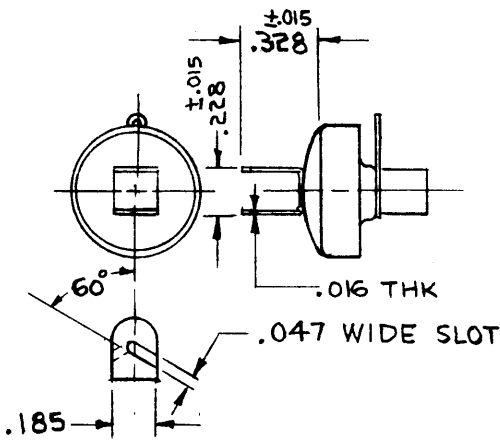
CODE	CHAR.	COLOR CODE
E	-20 to +100 ppm per °C.	Black

CHART NO. 2
STANDARD CAPACITANCE RANGE

1000 uuf TO 8100 uuf		
COLOR CODE	1st & 2nd FIGURE	MULTIPLIER
Black	0	1
Brown	1	10
Red	2	100
Orange	3	1000
Yellow	4	
Green	5	
Blue	6	
Violet	7	
Gray	8	
White	9	

CHART NO. 3
TOLERANCE

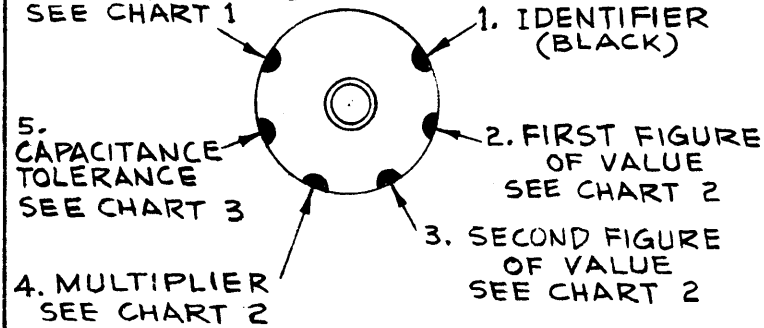
CODE	TOLERANCE	COLOR CODE
G	+2% or 1 uuf whichever is greater	Red
J	±5%	Gold
K	+10%	Silver



SPECIFICATIONS

- CASE & TERMINALS: BRASS, SILVER PLATED
- SEALING COMPOUND: RESIN OR WAX
- RATED WORKING VOLT: 500 WVDC/350 WVAC @85°C.
- FLASH OVER VOLT: 1250 VDC BETWEEN TERM. FOR AT LEAST 2 SEC. AT 50 MA MAX.
- Q(AT 1 MC): NOT LESS THAN 1000
- INSULATION RESISTANCE: 10,000 MEG. MIN. AT APPROX. 25°C. AT 100 VDC MIN. WITH SERIES RES. OF 1 MEG. MAX. FOR 1 MIN. MAX.
- OPER. TEMP. RANGE: -55°C. TO +85°C.
- UNITS SHALL MEET OR EXCEED THE ELECTRICAL AND MECHANICAL CHARACTERISTICS OF MIL-C-10950.

6. CHARACTERISTIC SEE CHART 1



COLOR CODE

PURCH. REF: 5401-203

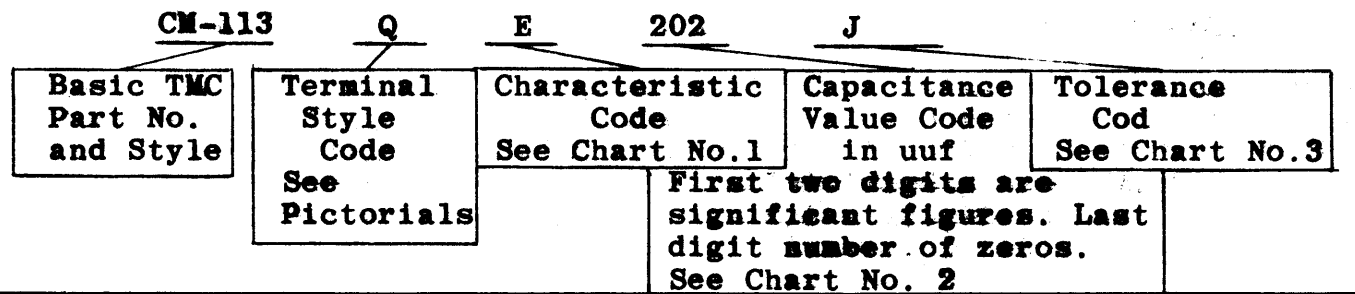
637-001-102 J

Style & Term. Value Tolerance

Q'TY./UNIT	MODEL USED ON	ASS'Y. NO.
	TTR-10	
SCALE	CODE	5401-203 (637)

THE CONTENTS OF THIS DRAWING ARE THE EXCLUSIVE PROPERTY OF THE TECHNICAL MATERIEL CORP. ITS UNAUTHORIZED USE OR REPRODUCTION IN WHOLE OR IN PART IS STRICTLY FORBIDDEN.

TMC PART NUMBER SHALL BE IN THE FOLLOWING FORM:



REQ'D.	ITEM	PART NUMBER	DESCRIPTION	SYMBOL
--------	------	-------------	-------------	--------

KOHN

LIST OF MATERIAL

MATERIAL	THE TECHNICAL MATERIEL CORP. MAMARONECK, NEW YORK	
FINISH	TITLE CAPACITOR, FIXED, MICA, BUTTON STAND-OFF	
UNLESS OTHERWISE SPECIFIED DIMENSIONS ARE IN INCHES AND INCLUDE CHEMICALLY APPLIED OR PLATED FINISHES	DRAWN <i>R.K.</i>	DATE 5-17-63
	CHECKED <i>A.D.</i>	DATE 5/23/63
	ELECT. DES. <i>R.KOHN</i>	DATE 5/27/63
	MECH. DES.	DATE
DECIMALS .X ± .05 .XX ± .01 .XXX ± .005	TOLERANCES	FRACTIONS ± 1/64 ANGLES ± 10°
		FINAL APPROVAL <i>R.P.</i>
		CM-113
		SHEET
		REV. LTR.

NOTES