

5

4

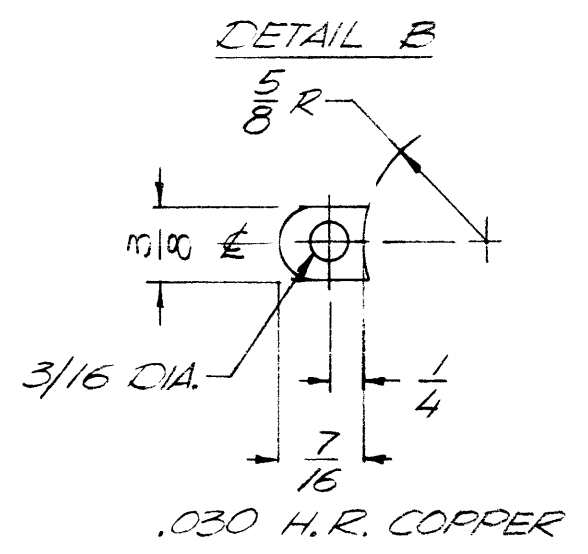
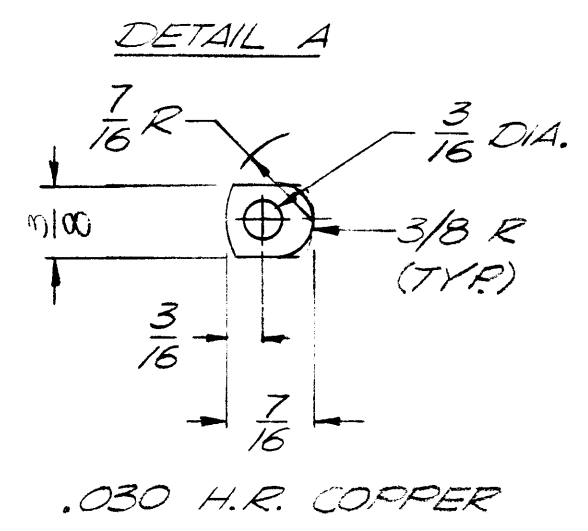
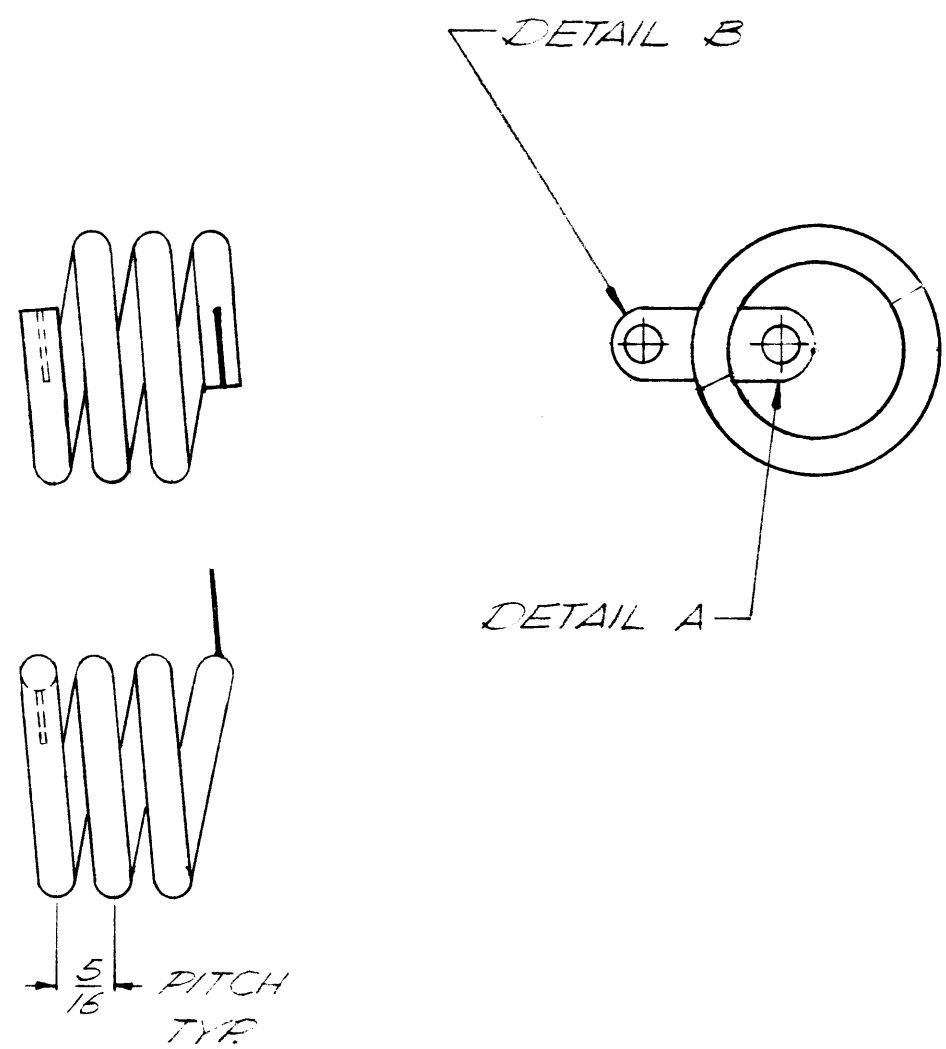
3

2

1

REVISIONS						
ZONE	LTR	DESCRIPTION	DATE	E.M.N.NO	DRAFT	CHKD APPD
	X	EXP RELEASE	11-26-69		GE	
	Ø	ORIGINAL RELEASE FOR	1/1/70			

**SPECIFICATIONS**  
 COIL TO BE 3 TURNS OF  $\frac{3}{16}$  COPPER TUBING.  
 USE ITEM 1 TO ATTACH STRAPS TO COIL  
**FINISH:** S245 SIL PLATE, SIL KOTE S423  
 O.D.  $1 \frac{1}{4}$  I.D.  $\frac{7}{8}$



$\frac{5}{16}$  PITCH  
TYF

REQ'D	ITEM	PART NUMBER	DESCRIPTION	SYM.
X	1	BS 101	SOLDER SILVER	

**F. BUDETTI** LIST OF MATERIAL

1	PALA-10K	AX5080
QTY / UNIT	MODEL USED ON	ASS'Y NO.
APPLICATION		
	CODE	

**NOTICE TO PERSON RECEIVING THIS DRAWING**  
 THE TECHNICAL MATERIEL CORPORATION claims proprietary right in the material disclosed hereon. This drawing is issued in confidence for engineering information only and may not be reproduced or used to manufacture anything shown hereon without permission from THE TECHNICAL MATERIEL CORPORATION to the user. This drawing is loaned for mutual assistance and is subject to recall at any time.

UNLESS OTHERWISE SPECIFIED DIMENSIONS ARE IN INCHES AND INCLUDE CHEMICALLY APPLIED OR PLATED FINISHES	FINAL APPROVAL <i>EB</i>	DATE 1-2-70
DECIMALS .X ± .05 .XX ± .01 .XXX ± .005	MECH. DES. <i>ALP</i>	DATE 1-2-70
FRACTIONS 1/64	ELECT. DES.	DATE
TOLS. ANGLES 0° -30'	CHECKED	DATE
MATERIAL SEE NOTES	DRAWN <i>EVANGELIS</i>	DATE 11-26-69
FINISH SEE NOTES		

THE TECHNICAL MATERIEL CORP. MAMARONECK, NEW YORK			
COIL INDUCTANCE			
SIZE B	CODE IDENT. NO. 82679	DWG NO. CL448	ISSUE Ø
SCALE 1:1	SHEET OF		

D  
C  
B  
A

5

4

2

1