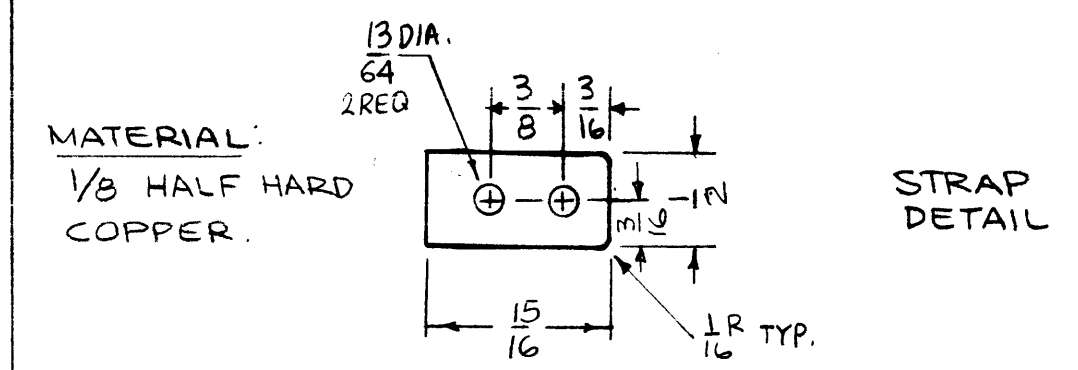
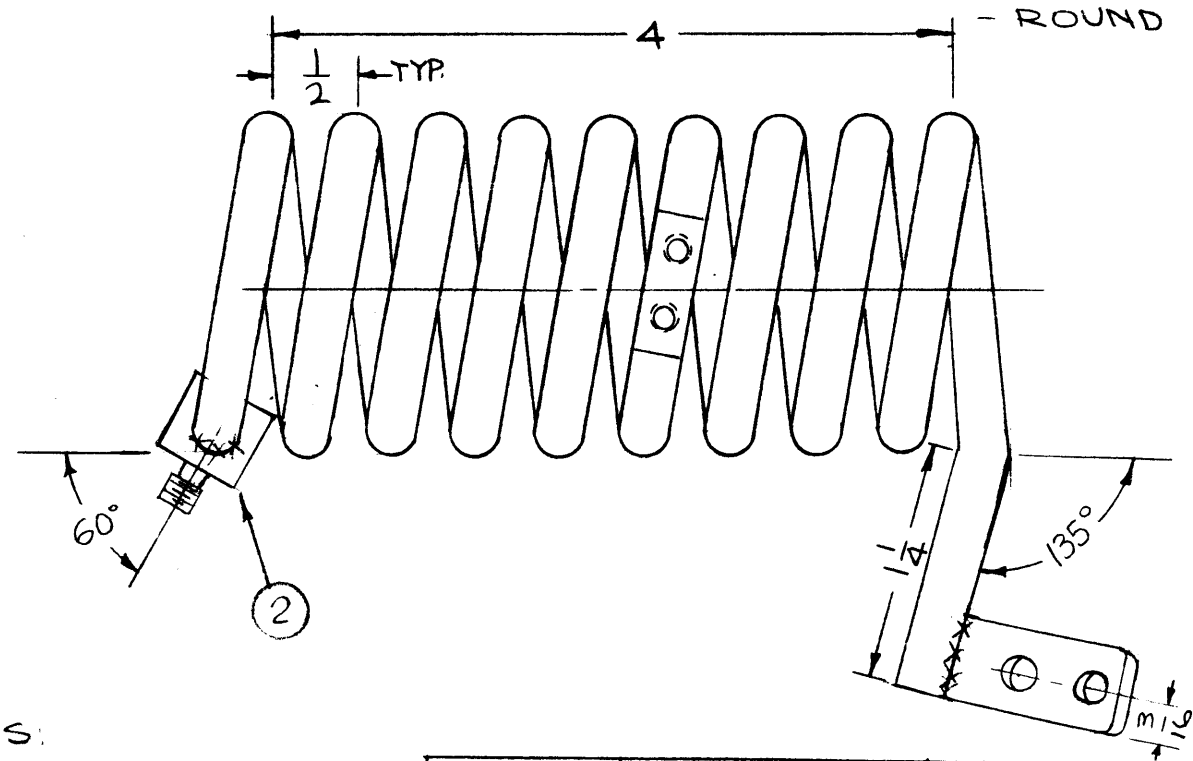
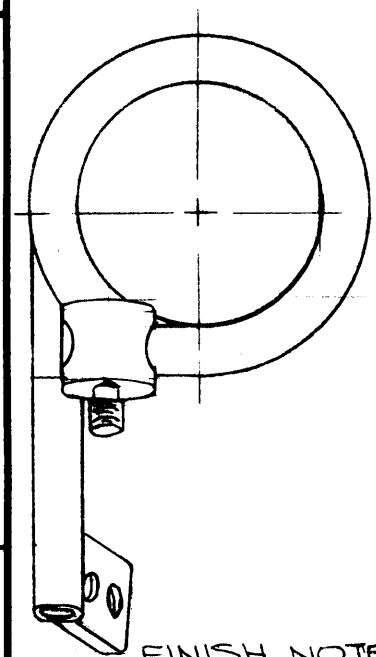
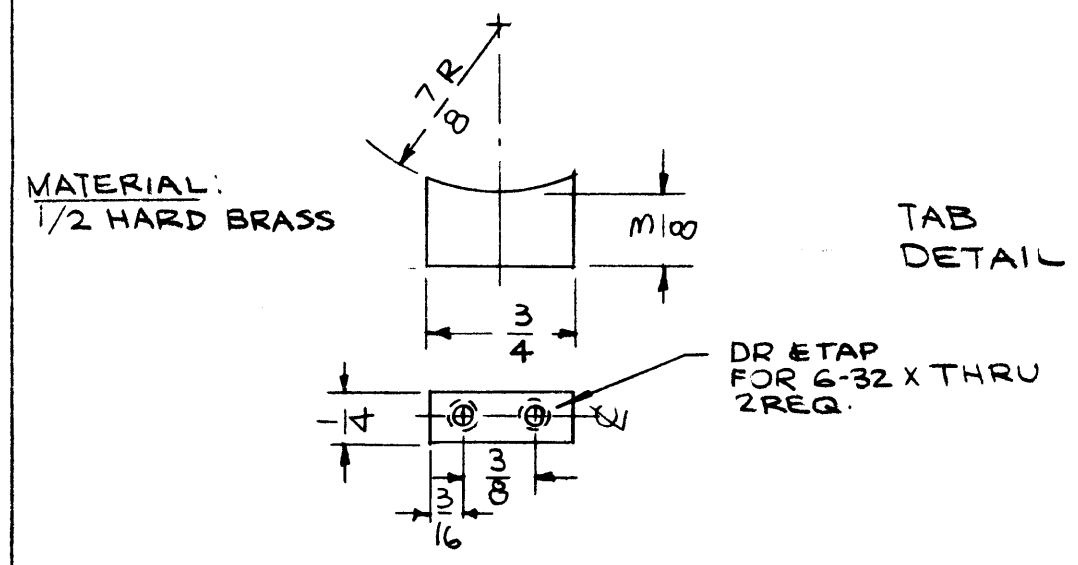
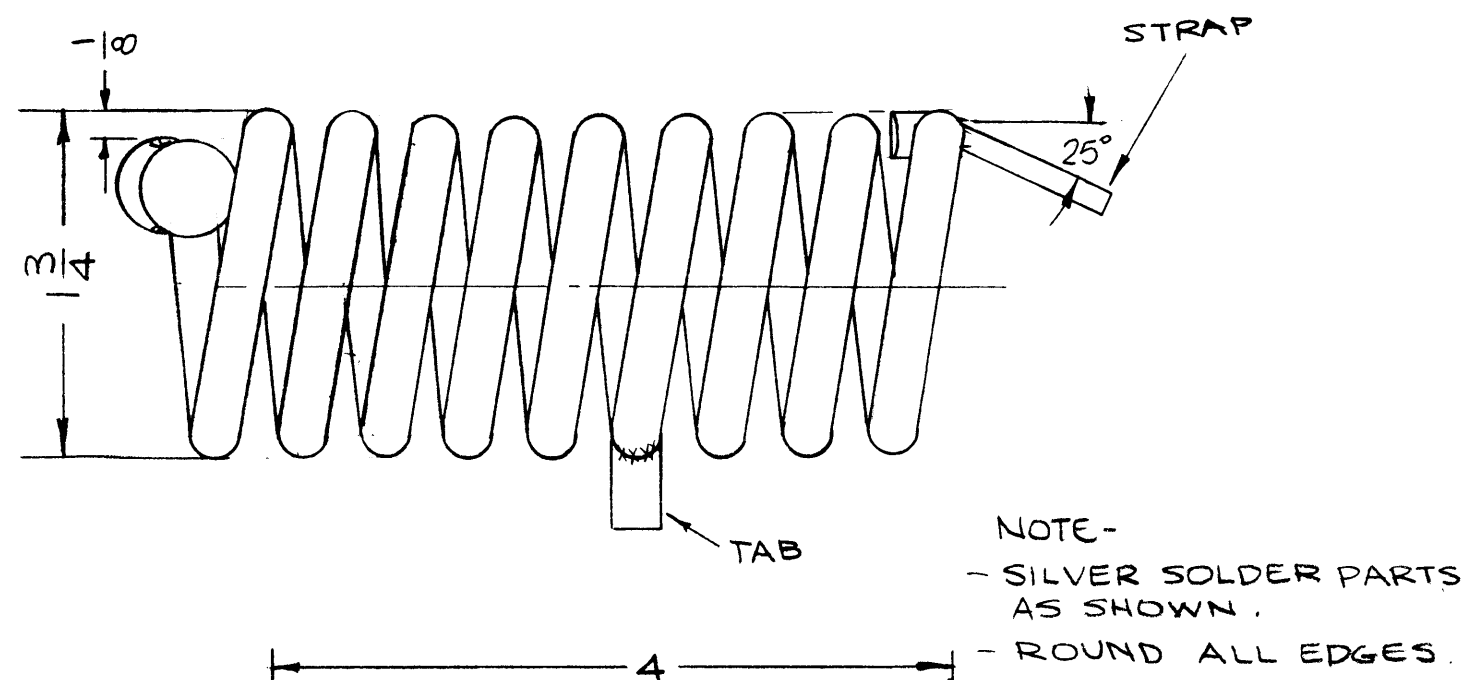


REVISIONS						
ZONE	LTR	DESCRIPTION	DATE	E.M.N.NO	DRAFT	CHKD APPD
	X	EXP. RELEASE	11-9-67			
	X1	135° WAS 120, STRAP & TAB REV.	12-10-67			
	Ø	ORIG. RELEASE FOR PROD	2/6/68	Ø	C.V.	



FINISH NOTES:

- 1-SAND BLASTED
- 2-COPPER FLASHED
- 3-S245 SILVER PLATED
- 4-.00025 RHODIUM FLASH
- 5- BREAK ALL CORNERS

1	TLAA-2-SK	
QTY / UNIT	MODEL USED ON	ASS'Y NO.
APPLICATION		
	CODE A	S401-451

NOTICE TO PERSONS RECEIVING THIS DRAWING
THE TECHNICAL MATERIEL CORPORATION claims proprietary right in the material disclosed hereon. This drawing is issued in confidence for engineering information only and may not be reproduced or used to manufacture anything shown hereon without permission from THE TECHNICAL MATERIEL CORPORATION to the user. This drawing is loaned for mutual assistance and is subject to recall at any time.

UNLESS OTHERWISE SPECIFIED DIMENSIONS ARE IN INCHES AND INCLUDE CHEMICALLY APPLIED OR PLATED FINISHES

DECIMALS: .X ± .05, .XX ± .01, .XXX ± .005
FRACTIONS: 1/64
ANGLES: 0° - 30'

MATERIAL: 5 OD COPPER TUBING

FINISH: SEE NOTES

REQ'D	ITEM	PART NUMBER	DESCRIPTION	SYM.
1	2	PM 561	MTG STUD, COIL	
X	1	BS101	BRAZING ALLOY, SILVER	

F. BUDETTI LIST OF MATERIAL

THE TECHNICAL MATERIEL CORP.
MAMARONECK, NEW YORK

COIL, RF

SIZE B	CODE IDENT. NO. 82679	DWG NO. CL429	ISSUE Ø
SCALE	SHEET OF		