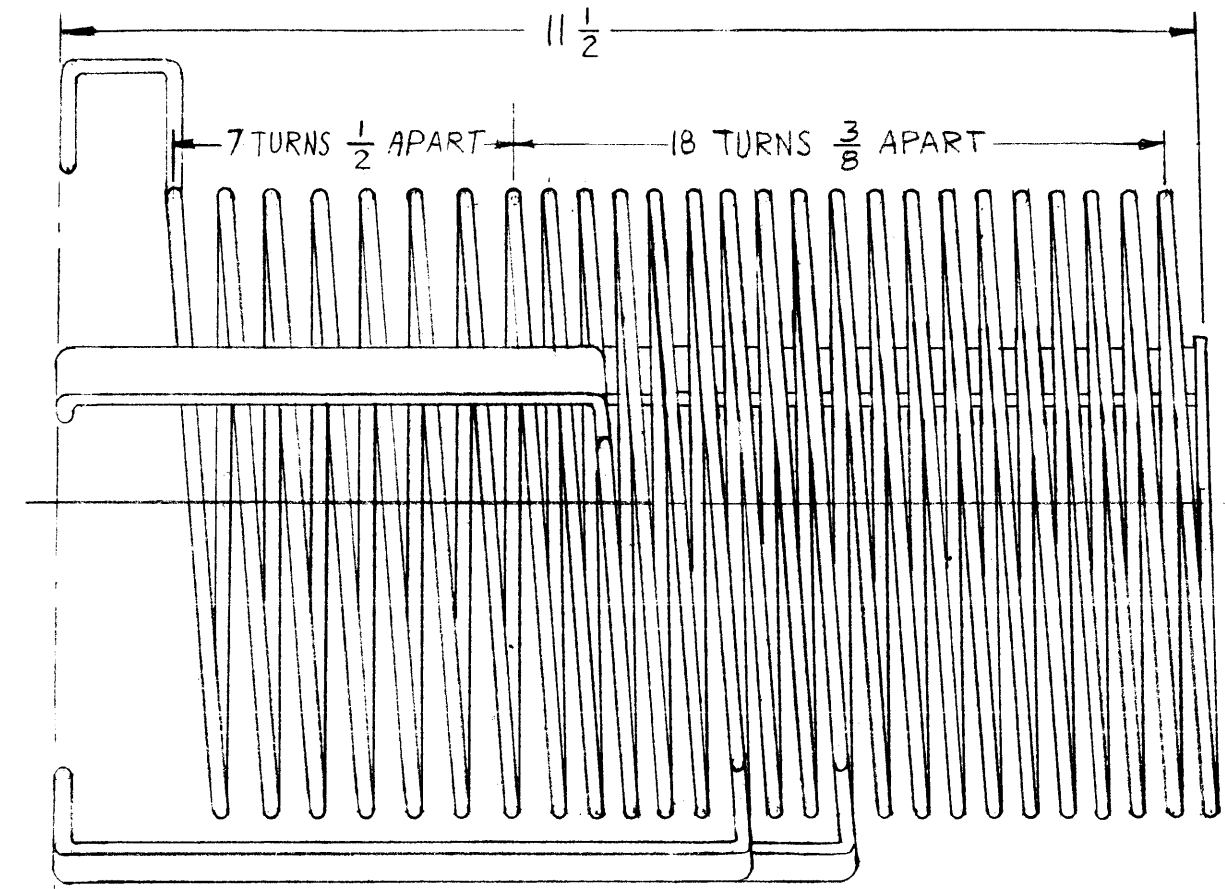
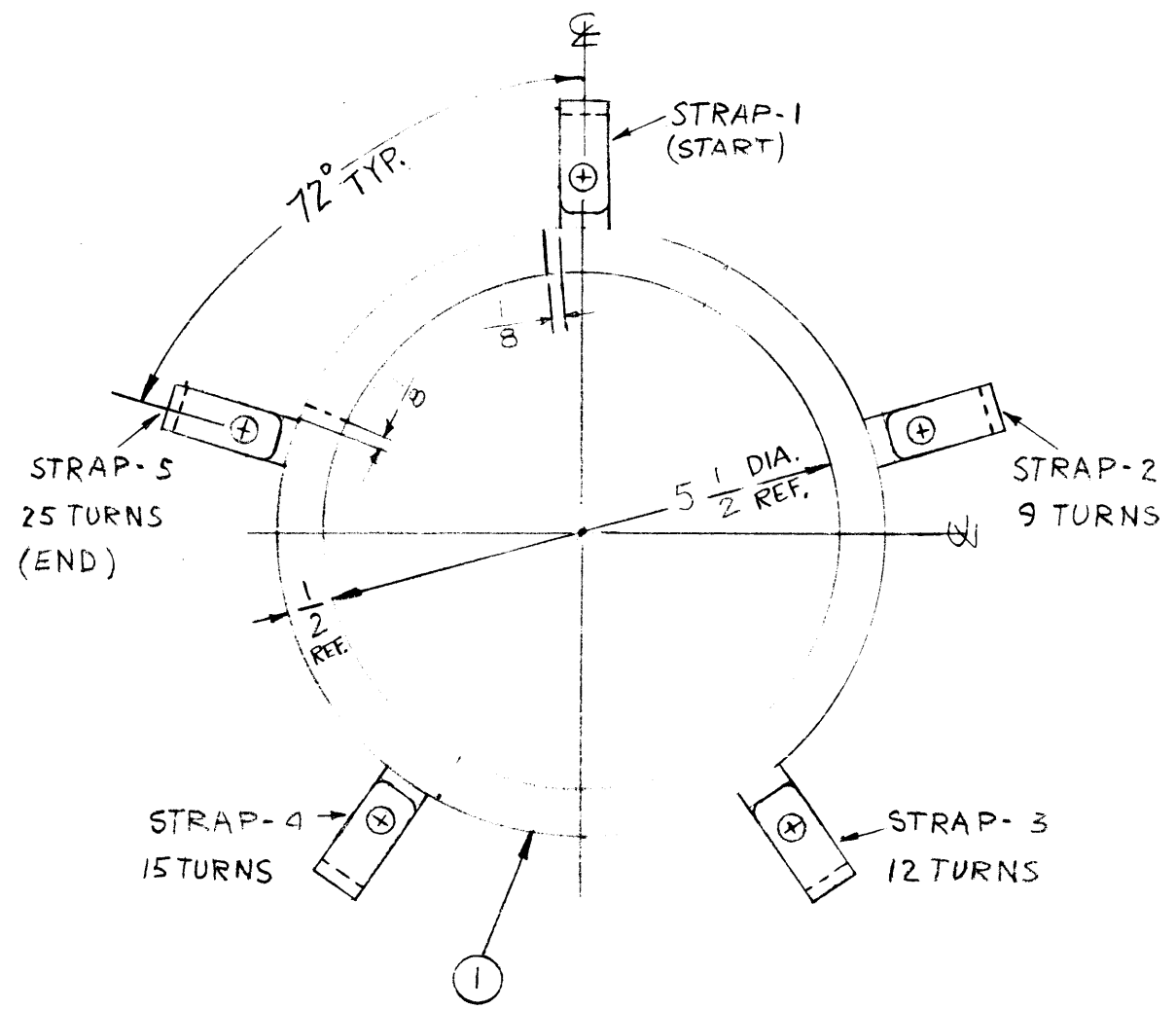


TMC P/N	STRAPS				
	1	2	3	4	5
CL427	1-1/4	5/8	6-5/8	7-7/8	11-1/2
CL427-2	1-1/4	OMIT	OMIT	OMIT	11-1/2

REVISIONS						
ZONE	LTR	DESCRIPTION	DATE	E.M.N.NO	DRAFT	CHKD APPD
	X	EXP. RELEASE	9-25-67		H.G.	<i>[Signature]</i>
	B	ORIG. RELEASE FOR FILE	5-10-68		P.G.	<i>[Signature]</i>
	A	CHG. DIM. FR 1/4 TO 1/2 REF.	3/30/71	20304	GE	<i>[Signature]</i>
	B	CHG. HOLE LOC. DIM. ON STRAP	6-22-71	20389	R.F.	<i>[Signature]</i>
	C	ADDED TABLE	4/28/72	20640	GE	<i>[Signature]</i>



NOTE:
SILVER SOLDER ALL STRAPS WITH IT.2
ROUND ALL CORNERS & EDGES

QTY / UNIT	MODEL USED ON	ASS'Y NO.
1	MFTR-10KE5	BMA482
1	BCT-10KA	AS 133
APPLICATION		
	CODE A	5401-451

NOTICE TO PERSONS RECEIVING THIS DRAWING
THE TECHNICAL MATERIEL CORPORATION claims proprietary right in the material disclosed hereon. This drawing is issued in confidence for engineering information only and may not be reproduced or used to manufacture anything shown hereon without permission from THE TECHNICAL MATERIEL CORPORATION to the user. This drawing is loaned for mutual assistance and is subject to recall at any time.

UNLESS OTHERWISE SPECIFIED DIMENSIONS ARE IN INCHES AND INCLUDE CHEMICALLY APPLIED OR PLATED FINISHES

DECIMALS: .X ± .05, .XX ± .01, .XXX ± .005
FRACTIONS: 1/64
TOLS.:
ANGLES: 0°-30'

MATERIAL: SEE DWG
FINISH: S135 NICKEL PLATE BRIGHT

X	2	BS101	BRZG ALLY, SILVER	
I	1	CL133-4-25 CW	COIL, RF, FXD	
REQ'D ITEM	PART NUMBER	DESCRIPTION		SYM.
F. BUDETTI		LIST OF MATERIAL		
THE TECHNICAL MATERIEL CORP. MAMARONECK, NEW YORK				
COIL, RF				
SIZE	CODE IDENT. NO.	DWG NO.	ISSUE	
B	82679	CL427	C	
SCALE 1:2		SHEET OF		