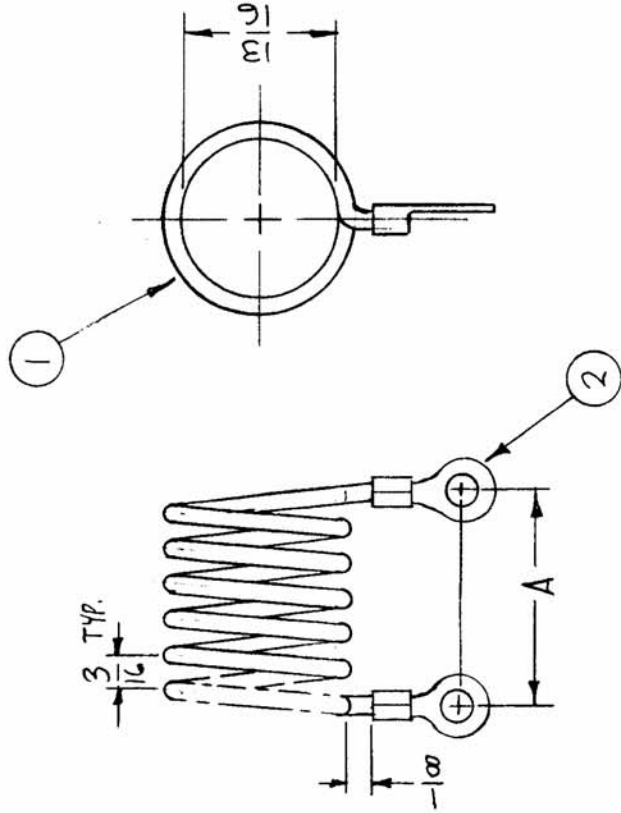


REQ. PER UNIT
 CHART

MODEL
 AF 107

USED ON
 ASSY. NO.
 DATE
 7-26-66

CL 404 Ø



TMC P/N	A	TURNS	REQ.
CL404-1	7/8	5	2
CL404-2	1-1/8	6	1

REQ. ITEM	PART NO.	DESCRIPTION	SYMBOL
X 3	BS100	SOLDER, TIN ALLOY	
2	TE141-1	TERMINAL LUG #6	
X 1	WL100-1	WIRE, ELECT. BUSS	
		F. BUDETTI	
STOCK SIZE MATERIAL THE TECHNICAL MATERIEL CORP. MAMARONECK. NEW YORK COIL, RF			
TYPE & TEMPER		HEAT TREAT. SPEC.	FINAL APPROVAL
S245 SILVER PLATE			
S423 SILVER KOTE			
FINISH & SPEC. NO.		ELEC. DES. APP.	MECH. DES. APP.
			CL 404 Ø

DATE	CH. NO.	DRAFTS	CHECKER	ENG. APP.
7-5-67	Ø	R.G.		
7-6-67	X1			
7-26-66	X			

SYMBOL	DESCRIPTION	SCALE	CODE
Ø	ORIG. REL. FOR PROD.	1:1	S401-451
X1	MODEL WAS TFP-2.5K		S401-
X	EXP. RELEASE		S401-

DECIMALS	TOLERANCES	FRACTIONS
.X ± .05	± 1/64	± 1/64
.XX ± .01	ANGLES	± 0° 30'
.XXX ± .005		