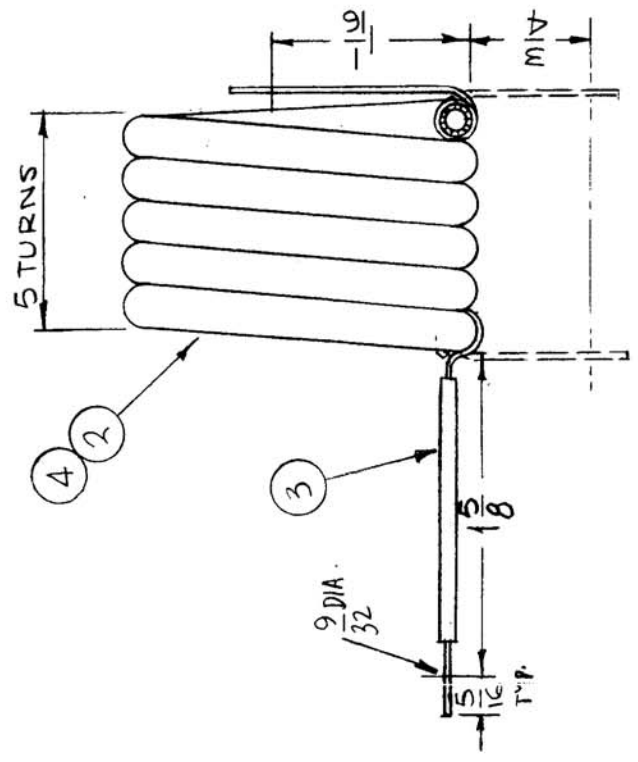


REQ. PER UNIT		MODEL		USED ON	
1 EA	KIT244A	ASSY. NO.	DATE	CL403	
		7-20-66		Ø	



ALL STRAPS  
 1/2 X 032 SOFT R. COPPER  
 FINISH:  
 S245 SILVER PLATE  
 S423 SILVER KOTE

COIL  
 3/16 O.D. SILVER PLATED  
 COPPER TUBING, TEFLON  
 COVERED.

TMC P/N	ITEM 3
CL403-1	AS SHOWN YES
CL403-2	SHOWN DOTTED NO

4	PX 370-5-7-25S	INS. SLVG ELECT	SYMBOL
3	PX 370-37-7-1.25	INS. SLVG. ELECT.	
X	TU100-2-S	TUBING, COPPER	
X	BS101	BRAZING ALLOY, SILVER	
		F.BUDETTI DESCRIPTION	
		PART NO.	
		STOCK SIZE	
		MATERIAL	
THE TECHNICAL MATERIEL CORP. MAMARONECK. NEW YORK			
		TYPE & TEMPER	
		HEAT TREAT. SPEC.	
		DRAWN	
		CHECKED	
		MECH. DES. APP.	
		ELEC. DES. APP.	
		FINISH & SPEC. NO.	

Ø	ORIGINAL RELEASE FOR PRODUCTION	7/27/66	CV
X	EXP. RELEASE	7-20-66	X
SYM	DESCRIPTION	DATE	CH. NO.
UNLESS OTHERWISE SPECIFIED DIMENSIONS ARE IN INCHES AND INCLUDE CHEMICALLY APPLIED OR PLATED FINISHES			
DECIMALS	TOLERANCES	FRACTIONS	CODE
.X ± .05		± 1/64	A
.XX ± .01		ANGLES	
.XXX ± .005		± 0° 30'	
SCALE 1:1			
		CHECKER	ENG. APP.