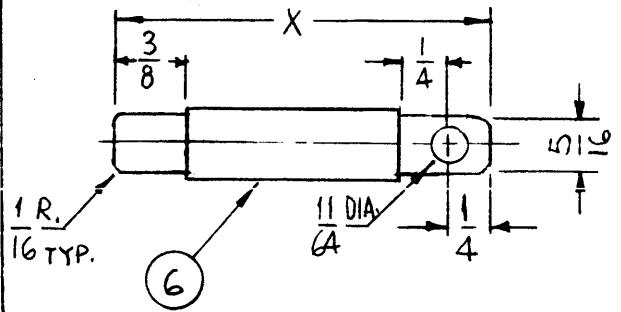


STRAP-1  
DETAIL  
MAT'L:  
1/8 O.D.  
COPPER TUBING



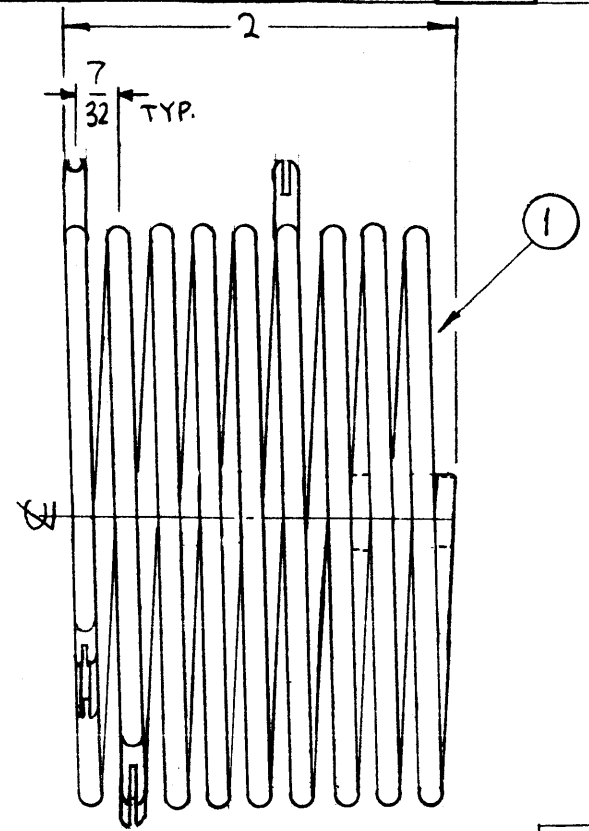
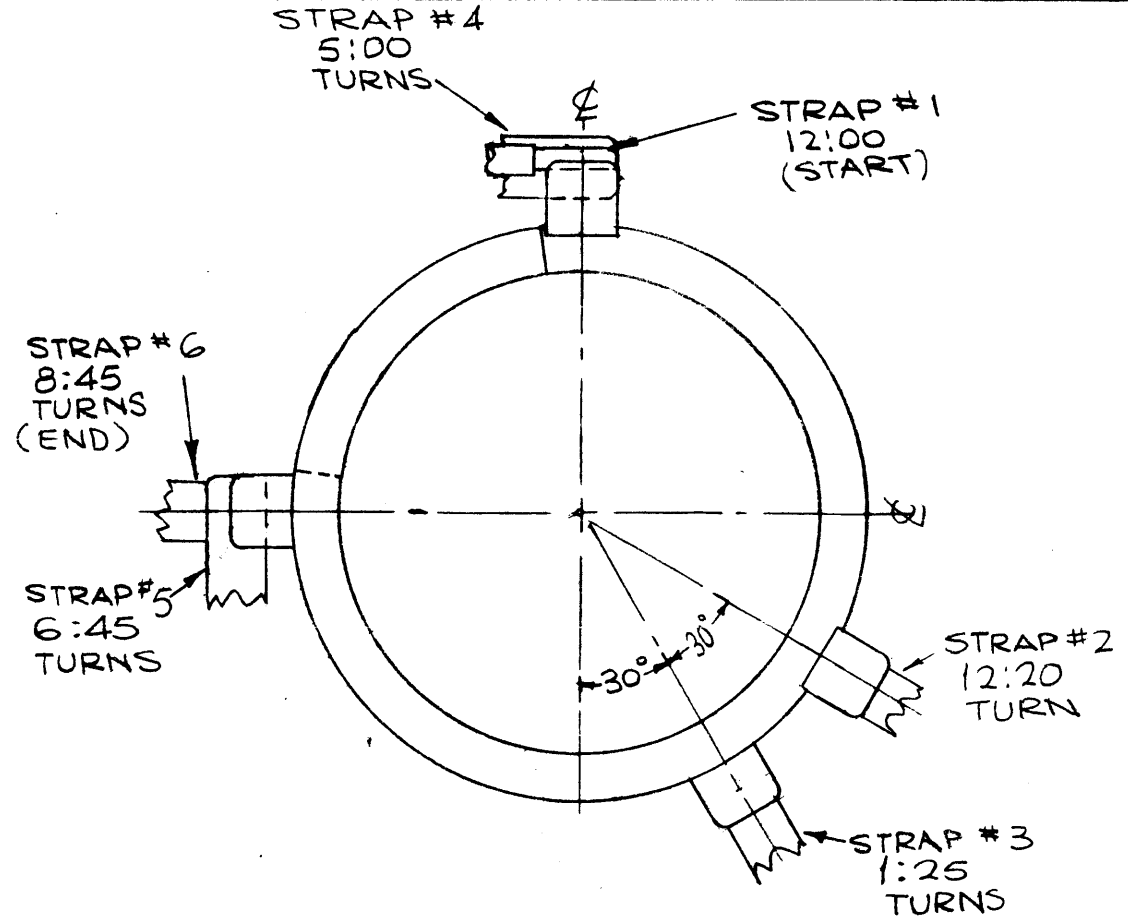
STRAPS-2-6-DETAIL

MAT'L  
.031 THICK  
HOT ROLLED  
COPPER.

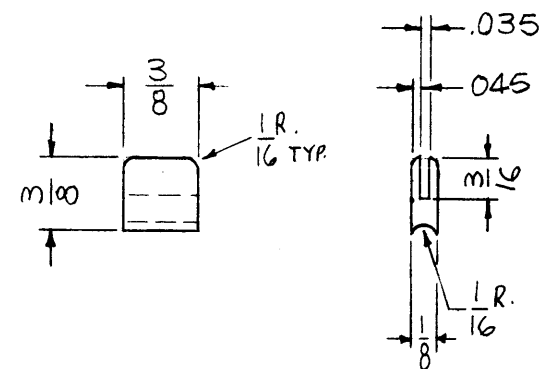
STRAP	X
2	3-1/2
3	3
4	7
5	3
6	2

A  
CL386

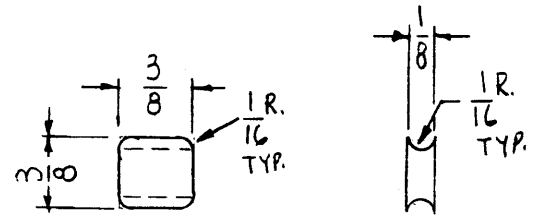
REVISIONS					
SYM	DESCRIPTION	DATE	E.M.N. NO.	DRAFT	CHKD
X1	S423 ADDED TO FINISH	7-1-65	X1	<i>[Signature]</i>	<i>[Signature]</i>
X2	ONE STRAP HOLE DELETED, STRAPS ADDED	8-11-65	X2	<i>[Signature]</i>	<i>[Signature]</i>
Ø	ORIGINAL RELEASE FOR PRODUCTION	3-3-66		<i>[Signature]</i>	<i>[Signature]</i>
A	REV. STRAP-1 DETAIL; DELE. ITS. 3 & 7	5-2-66	16194	<i>[Signature]</i>	<i>[Signature]</i>



MAT'L ~ HALF HARD BRASS



STRAP HOLDER  
DETAIL  
FOR STRAPS  
2-6



STRAP HOLDER  
DETAIL  
FOR STRAP 1

NOTE:  
- REMOVE ALL SHARP EDGES.  
- SILVER SOLDER STRAP HOLDERS & STRAPS TO COIL.  
\* CUT AS REQ.

NOTES

1	TST-10K	
Q'TY./UNIT	MODEL USED, ON	ASS'Y. NO.
SCALE III	CODE A	

THE CONTENTS OF THIS DRAWING ARE THE EXCLUSIVE PROPERTY OF THE TECHNICAL MATERIEL CORP. ITS UNAUTHORIZED USE OR REPRODUCTION IN WHOLE OR IN PART IS STRICTLY FORBIDDEN.

7	DELETED		
X 6	PX 370-2-7-*	INS. SLEEVING TEFLON	
X 5	PX 370-3-7-*	INS. SLEEVING TEFLON	
X 4	PX 370-6-7-*	INS. SLEEVING TEFLON	
3	DELETED		
X 2	BS101-2	BRAZE, ALLOY, SILVER	
1	1	CL133-2R8.750CW	COIL, RF

REQ'D.	ITEM	PART NUMBER	DESCRIPTION	SYMBOL
F. BUDETTI LIST OF MATERIAL				
MATERIAL			THE TECHNICAL MATERIEL CORP. MAMARONECK, NEW YORK	
FINISH			TITLE	
S245 SILVER PLATE S423 IRIDITE 18-P SILVER KOTE			COIL, RF	
UNLESS OTHERWISE SPECIFIED DIMENSIONS ARE IN INCHES AND INCLUDE CHEMICALLY APPLIED OR PLATED FINISHES			DRAWN <i>[Signature]</i>	DATE 6-15-65
DECIMALS .X ± .05 .XX ± .1 .XXX ± .005			CHECKED <i>[Signature]</i>	DATE 3-2-66
FRACTIONS ± 1/64 ANGLES ± 0° 30'			ELECT. DES.	DATE
TOLERANCES			MECH. DES. <i>[Signature]</i>	DATE 3/2/66
			SHEET	REV. LTR.
			MIL	A