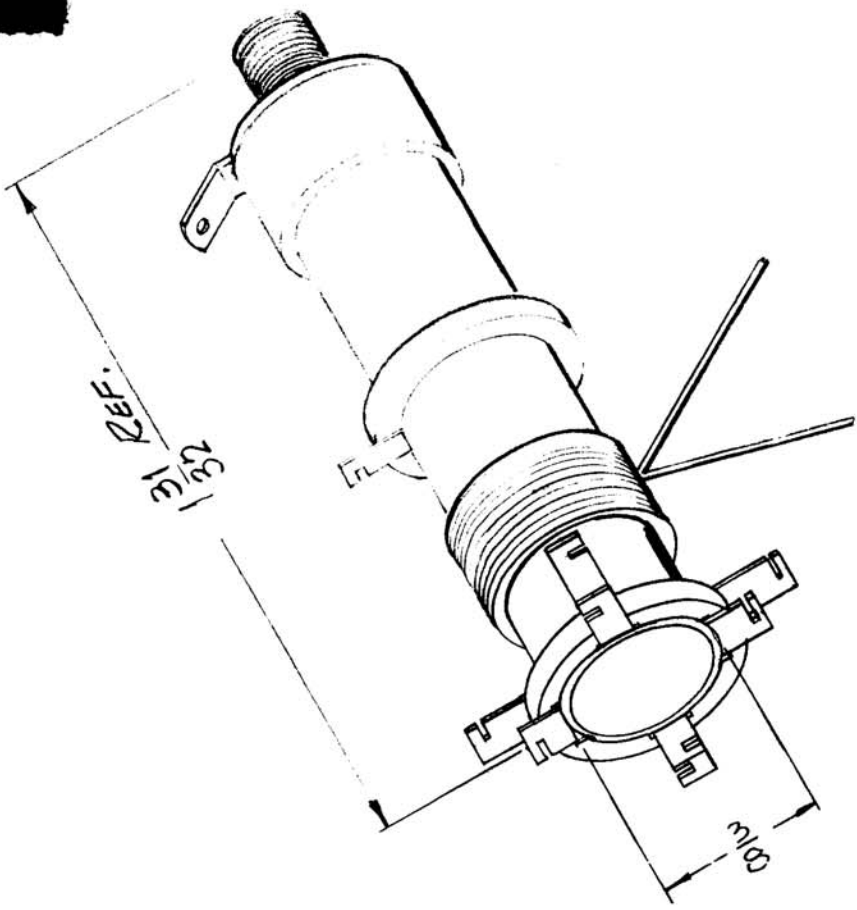


THE CONTENTS OF THIS DRAWING ARE THE EXCLUSIVE PROPERTY OF THE TECHNICAL MATERIEL CORP. ITS UNAUTHORIZED USE OR REPRODUCTION IN WHOLE OR IN PART IS STRICTLY FORBIDDEN.

REQ. PER UNIT: 1
 MODEL: HFS-1
 USED ON ASSY. NO.
 DATE: 8-15-62

CL 295 B



~ SCHEMATIC ~

WINDING

WINDING
 .65 μ h \pm 10%
 Q MIN = 125 @ 25 mc

MODEL REQ.	FUNCTION	OPER FREQ.	SYMBOL
HFS 1	IF AMPL SUPPLY TANK	44 MC	

REQ. ITEM	PART NO.	STEUBER	DESCRIPTION	SYMBOL
			THE TECHNICAL MATERIEL CORP. MAMARONECK, NEW YORK	
			COIL, TANK (44 MC IF AMPL)	
		DR	DRAWN	
		MA	CHECKED	
			HEAT TREAT. SPEC.	
			FINISH & SPEC. NO.	CL 295 B

UNLESS OTHERWISE SPECIFIED:
 DIMENSIONS ARE IN INCHES
 TOLERANCES ON
 FRAC. \pm 1/64 DEC. \pm .005 ANGLES \pm 1/2°

SCALE: (2A - 2450)

MAXIMUM ALLOWABLE TOLERANCES HAVE BEEN DETERMINED AND ANY DEVIATIONS WILL BE CAUSE FOR REJECTION.
 REMOVE ALL BURRS AND SHARP EDGES