

THE CONTENTS OF THIS DRAWING ARE THE EXCLUSIVE PROPERTY OF THE TECHNICAL MATERIEL CORP. ITS UNAUTHORIZED USE OR REPRODUCTION IN WHOLE OR IN PART IS STRICTLY FORBIDDEN.

REQ. PER UNIT  
3

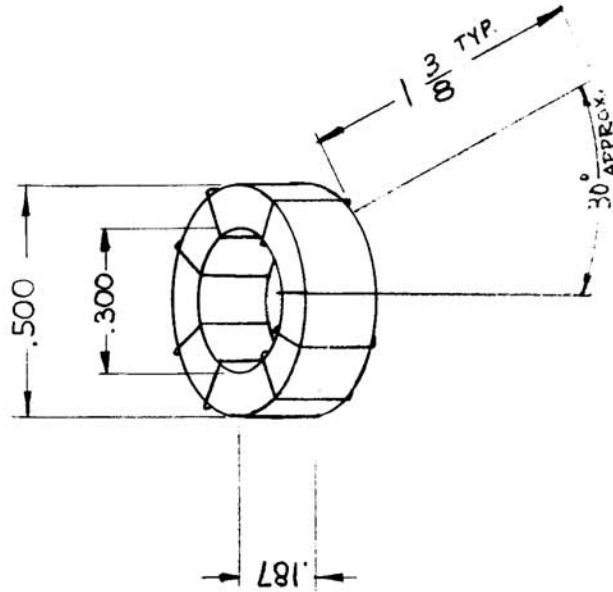
MODEL  
HFS-1

USED ON ASSY. NO.  
3500

DATE  
8-15-62

CL-293 C

ELECTRICAL SPEC. ~  
L ~ .47 ± .02 μh  
Q ~ 190 OR GREATER  
TEST FREQ ~ 25 MC.



REQ. ITEM	PART NO.	J STRUMER	DESCRIPTION	SYMBOL
			THE TECHNICAL MATERIEL CORP. MAMARONECK, NEW YORK	
			COIL, R F	
			40.5 MC	
		M.A.F.	DRAWN	
			CHECKED	
			FINAL APPROVAL	
			CL-293	C
			STOCK SIZE	
			MATERIAL	
			HEAT TREAT. SPEC.	
			FINISH & SPEC. NO.	
			SCALE: Do Not Scale (1A-2441)	
			MAXIMUM ALLOWABLE TOLERANCES HAVE BEEN DETERMINED AND ANY DEVIATIONS WILL BE CAUSE FOR REJECTION. REMOVE ALL BURRS AND SHARP EDGES	
			UNLESS OTHERWISE SPECIFIED: DIMENSIONS ARE IN INCHES TOLERANCES ON FRAC. ± 1/64 DEC. ± .005 ANGLES ± 1/2°	
C	6-27-66	16464	who	
B	9-17-63	9965		
A	11-14-62	7677		
SYM	DATE	CH. NO.	DRAFTS	CHECKER
			ENG. APP.	