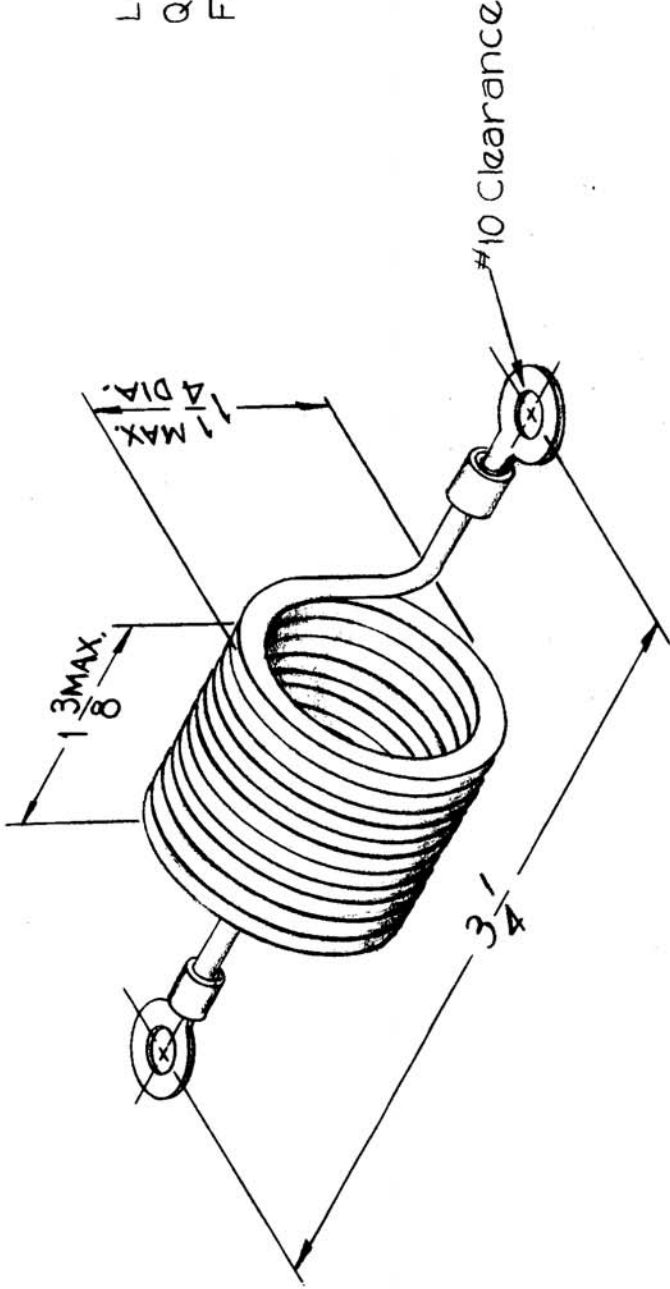


CL-269

USED ON		MODEL	ASSY. NO.	DATE
2	REQ. PER. UNIT	APP-4		3-15-61
2		APP-5		3-15-61

L = 2 why ± 1 why  
 Q = 200 or Greater  
 F = 7.9 MC



REQ. ITEM		PART NO.		DESCRIPTION		SYMBOL					
				THE TECHNICAL MATERIEL CORP.							
				MAMARONECK, NEW YORK							
				COIL, RADIO FREQ.							
				STOCK SIZE							
				MATERIAL							
				TYPE & TEMPER		DRAWN					
				HEATTREAT. SPEC.		CHECKED					
				FINISH & SPEC. NO.		ELEC. DES. APP. MECH. DES. APP.					
ISSUE ITEM				CHANGED FROM				TOLERANCES			
DATE				CH. NO.				DRAFTS			
CHECKER				1A-2076				ENG. APP.			
SCALE:				MAXIMUM ALLOWABLE TOLERANCES HAVE BEEN DETERMINED AND ANY DEVIATIONS WILL BE CAUSE FOR REJECTION. REMOVE ALL BURRS AND SHARP EDGES				FINAL APPROVAL			
DEC. DIM. ±				FRAC. DIM. ±				ANGULAR DIM. ±			
								CL-269			