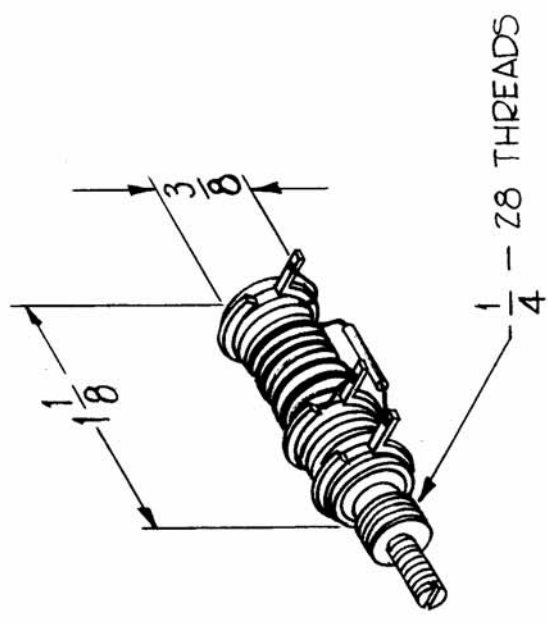


REQ. PER UNIT	1	MODEL	RFD-1	ASBY. NO.	PALIK, SBT:IK	DATE	10-25-60
		U E D O N		CL-257			



ELECTRICAL SPECIFICATIONS

Operating Frequency Range 22-32 mc

L - minimum inductance less than .20 uhy

L - maximum inductance greater than .28 uhy

Q - greater than 135

F - 25 mc

MECHANICAL SPECIFICATIONS

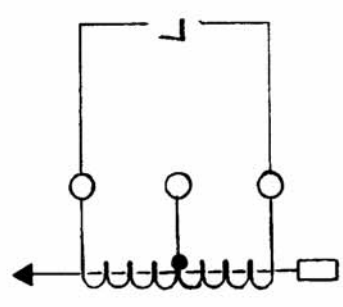
Phenolic coil form

Powdered iron tuning slug

Bushing mounted

4 turns

AWG #20 Buss wire



REG. ITEM	DESCRIPTION	SYMBOL
	THE TECHNICAL MATERIEL CORP. MAMARONECK, NEW YORK	
	COIL, R.F. TUNED (22-32 MC)	
	J.C. Biele	FINAL APPROVAL
	U.C. Biele	CHECKED
	U.C. Biele	DRAWN
	U.C. Biele	ELEC. DES. APP.
	U.C. Biele	MECH. DES. APP.
	U.C. Biele	CL-257

ISSUE ITEM

CHANGED FROM

DATE

CH. NO.

DRAFTS

CHECKER

ENG. APP.

SCALE: Full, Do Not Scale 1A-2003

TOLERANCES

DEC. DIM. ±

FRAC. DIM. ± 1/64

ANGULAR DIM. ±

MAXIMUM ALLOWABLE TOLERANCES HAVE BEEN DETERMINED AND ANY DEVIATIONS WILL BE CAUSE FOR REJECTION. REMOVE ALL BURRS AND SHARP EDGES