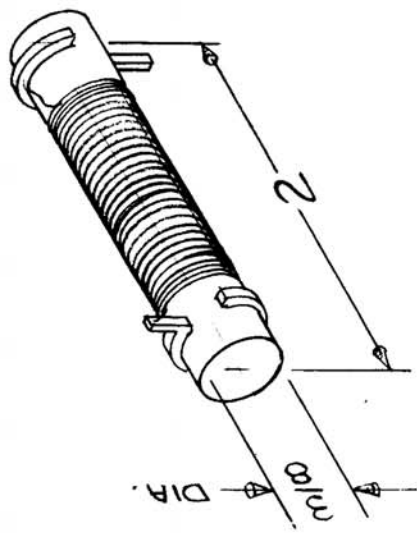


REQ. PER. UNIT 2	USED ON	
	MODEL ATS-CU-2	DATE 9-30-60

CL-254

ELECT. SPECS.  
L - 185 UHY ±15 UHY  
Q - 50 OR GREATER  
F - (TEST) - 790 KC

MECH. SPECS.  
CORE - FERRITE  
WINDING - 69 TURNS \*26 MAGNET WIRE



REQ. ITEM	PART NO.	DESCRIPTION	SYMBOL
		THE TECHNICAL MATERIEL CORP.	
		MAMARONECK, NEW YORK	
		COIL, RF, FIXED, 185 UHY	
ISSUE ITEM	CHANGED FROM	DATE	CH. NO.
TOLERANCES			
DEC. DIM. ±	DIM.	SCALE: 2A-1544	
FRAC. DIM. ±	FOR	MAXIMUM ALLOWABLE TOLERANCES HAVE BEEN DETERMINED AND ANY DEVIATIONS WILL BE CAUSE FOR REJECTION.	
ANGULAR DIM. ±	REF.	REMOVE ALL BURRS AND SHARP EDGES	
		TYPE & TEMPER	HEAT TREAT. SPEC.
		DRAWN	CHECKED
		ELEC. DES. APP.	MECH. DES. APP.
		FINISH & SPEC. NO.	
			CL-254