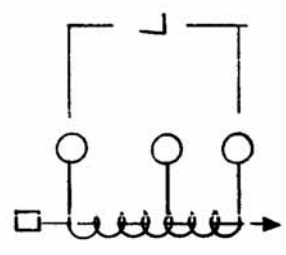
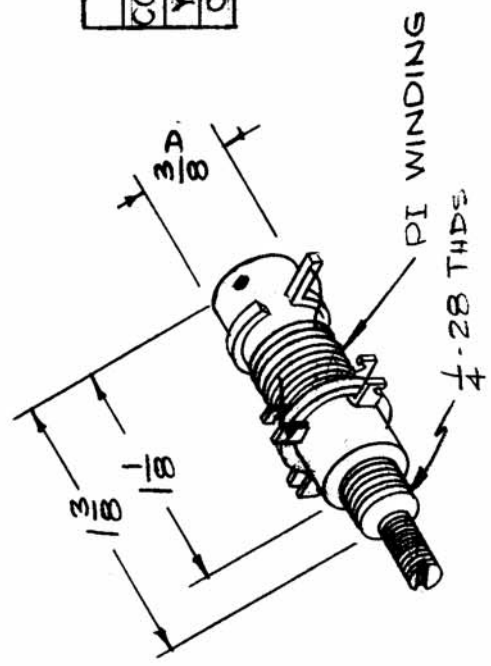


REQ. PART UNIT	USED ON	MODEL	ASS'Y. NO.	DATE
1		RFD-1		9-23-59
1		RFC-1		11-22-60

CL-181 F

ELECTRICAL SPECS.				
COLOR CODE	TMC PART NO.	L MAX	L MIN	Q RANGE
YELLOW	CL181-1	> 25 μh	< 16 μh	> 60 2-4 MC
ORANGE	CL181-2	> 36 μh	< 16 μh	> 55 1.75-3.4 MC 2.5 MC

MECHANICAL SPECS.  
 COIL FORM - PHENOLIC  
 CORE - POWDERED IRON  
 MOUNTING - 1/4-28 THD. STUD.  
 WINDING - 33 TURNS #541 LITZ WIRE



REQ. ITEM	ITEM	PART NO.	DESCRIPTION	SYMBOL
F	PI WINDING ADDED TO COIL FORM WAS CER YEL L MIN WAS 15.5 μh	17380	THE TECHNICAL MATERIEL CORP. MAMARONECK, NEW YORK	
E	4 UPDATED SPECS 2-4 MC DELE. FR TITLE	11546	COIL, RF, TUNED	
ISSUE ITEM	CHANGED FROM	DATE	CH. NO.	DRAFTS
		6/11/64	11546	A.M. @
		12-6-66	17380	4W JLB
				96
TOLERANCES				
SCALE: NPL 2A1614-5				
MAXIMUM ALLOWABLE TOLERANCES HAVE BEEN DETERMINED AND ANY DEVIATIONS WILL BE CAUSE FOR REJECTION. REMOVE ALL BURRS AND SHARP EDGES				
DEC. DIM. ±				
FRAC. DIM. ±				
ANGULAR DIM. ±				
	TYPE & TEMPER	HEAT TREAT. SPEC.	DRAWN	CHECKED
	FINISH & SPEC. NO.	ELEC. DES. APP. MECH. DES. APP.	FINAL APPROVAL	
			CL-181 F	