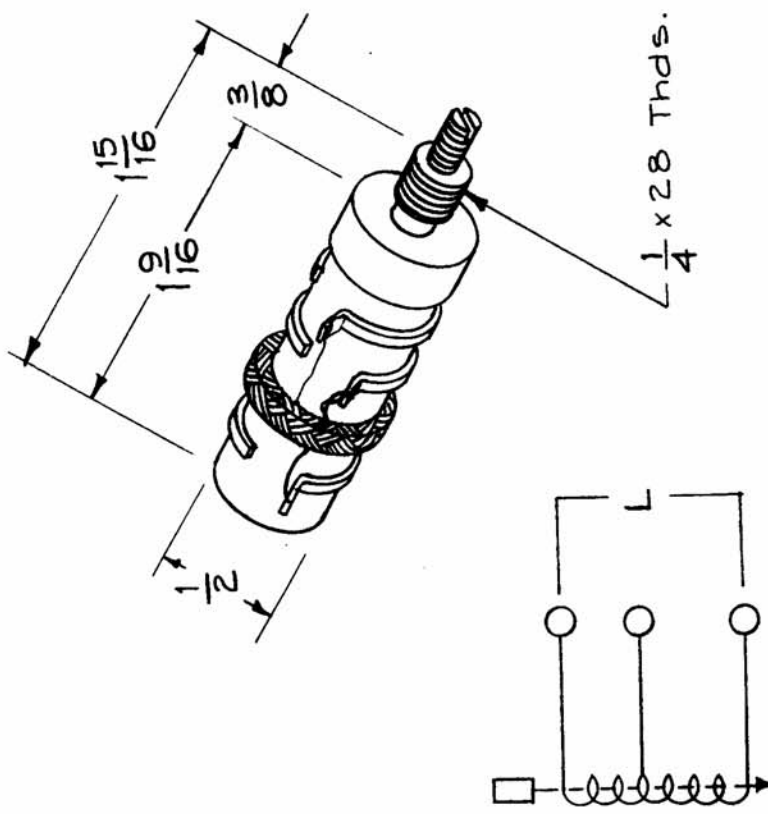


CL-173 C

USED ON		REQ. PER UNIT	MODEL	ASSY. N.	DATE
1	RFC-1	1			6-25-59
1	RFD-1	1			6-25-59
1	RFD-2	1			6-11-64

SPECIFICATIONS		
TMC PART NO.	L MAX	L MIN
2-4 MC	CL173-1	CL173-2
1.75-3.4MC	CL173-1	CL173-2



SYMBOL	DESCRIPTION	PART NO.	REQ. ITEM
C	ON TITLE BLOCK MC RATING DELETED SPECS UPDATED RFD-2 ADDED	6/11/64	11546
B	Leads On Pictorial Clarified	2-15-62	6410
A	SPECS. REVISED	5-27-60	2391
ISSUE ITEM	CHANGED FROM	DATE	CH. NO.
			DRAFTS
			CHECKER
			ENG. APP.
			SCALE: 2A-1725
			MAXIMUM ALLOWABLE TOLERANCES HAVE BEEN DETERMINED AND ANY DEVIATIONS WILL BE CAUSE FOR REJECTION. REMOVE ALL BURRS AND SHARP EDGES
			TOLERANCES
			DEC. DIM. ±
			FRAC. DIM. ±
			ANGULAR DIM. ±
			TYPE & TEMPER
			HEAT TREAT. SPEC.
			FINISH & SPEC. NO.
			MATERIAL
			STOCK SIZE
			THE TECHNICAL MATERIEL CORP. MAMARONECK, NEW YORK
			COIL, RF, TUNED
			6/25/59
			DRAWN
			CHECKED
			FINAL APPROVAL
			CL-173
			ELEC. DES. APP. MECH. DES. APP.