

CL 163 B

REQ. PER UNIT	MODEL	USED ON ASSY. N.	DATE
3	SBE-3	AX-204	
4	CHG	MF/RF	

ELECTRICAL SPECIFICATIONS

L - 3.7(3.4-4.3) Microhenries w/o core
 Q - 90 or greater
 FREQ. (TEST) - 7.9 Mcs
 OPER. FREQ. - 4-8 Mcs

MECHANICAL SPECIFICATIONS

TOTAL TURNS - 20
 TAP - 6 Turns
 WIRE - WI-107-15
 TUNING SLUG - Powdered Iron
 FORM - Phenolic

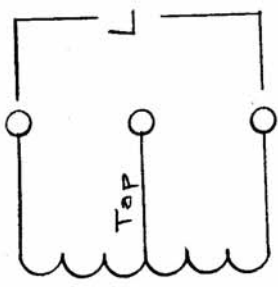
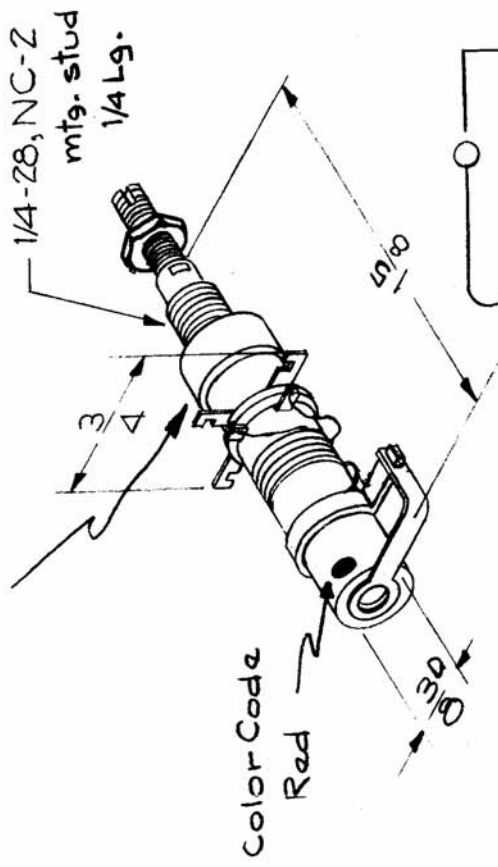
NOTICE TO PERSONS RECEIVING THIS DRAWING

THE TECHNICAL MATERIAL CORPORATION claims proprietary right in the material disclosed hereon. This drawing is issued in confidence for engineering information only and may not be reproduced or used to manufacture anything shown herein without permission from THE TECHNICAL MATERIAL CORPORATION to the user. This drawing is loaned for mutual assistance and is subject to recall at any time.

Property of:

THE TECHNICAL MATERIAL CORPORATION
 MAMARONECK, NEW YORK

Bushing Ass'y to be Cemented to form upon Ass'y of coil into unit.



REQ. ITEM	PART NO.	DESCRIPTION	SYMBOL
B 1		THE TECHNICAL MATERIAL CORP. MAMARONECK, NEW YORK	
A 2		COIL, RF, TUNED, 4-8 mc	
1			
2			
3			
4			
5			
6			
7			
8			
9			
10			
11			
12			
13			
14			
15			
16			
17			
18			
19			
20			
21			
22			
23			
24			
25			
26			
27			
28			
29			
30			
31			
32			
33			
34			
35			
36			
37			
38			
39			
40			
41			
42			
43			
44			
45			
46			
47			
48			
49			
50			
51			
52			
53			
54			
55			
56			
57			
58			
59			
60			
61			
62			
63			
64			
65			
66			
67			
68			
69			
70			
71			
72			
73			
74			
75			
76			
77			
78			
79			
80			
81			
82			
83			
84			
85			
86			
87			
88			
89			
90			
91			
92			
93			
94			
95			
96			
97			
98			
99			
100			