

CL-150 B

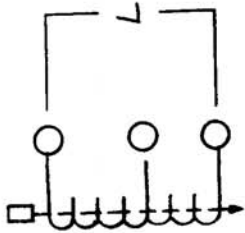
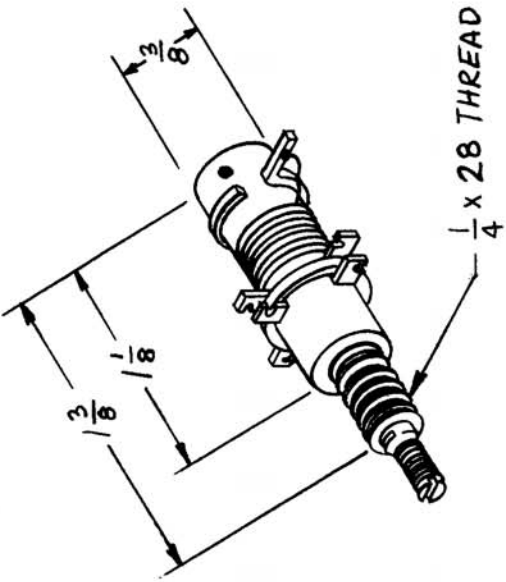
USED ON	
REQ. PER UNIT	ASSY. N. DATE
	11-22-60

ELECTRICAL SPECIFICATIONS

Operating Frequency Range 4-8 mcs.  
 L - minimum less than 5.0 uhy  
 L - maximum greater than 7.2 uhy  
 Q - greater than 80  
 F - 7.9 mcs

MECHANICAL SPECIFICATIONS

Phenolic coil form  
 Powdered iron tuning slug  
 Stud mounted 1/4-28 threads  
 22 turns  
 #34 magnet wire  
 Color Code - Brown



REQ. ITEM	PART NO.	DESCRIPTION	SYMBOL
		THE TECHNICAL MATERIEL CORP. MAMARONECK, NEW YORK	
		COIL, RF, TUNED, 4-8 MC	
		MATERIAL	
		HEAT TREAT. SPEC.	
		FINISH & SPEC. NO.	
		TYPE & TEMPER	
		CHECKED	
		DRAWN	
		MJT 1-7-59	
		APP	
		FINAL APPROVAL	
		CL-150 B	

ISSUE ITEM	CHANGED FR M	DATE	CH. NO.	DRAFTS	CHECKER	ENG. APP.
B		2.6.66	17380	440	APP	APP
A		4-18-61	4700	MAF	APP	APP

SCALE:

2A-1614-2  
 MAXIMUM ALLOWABLE TOLERANCES HAVE BEEN DETERMINED AND ANY DEVIATIONS WILL BE CAUSE FOR REJECTION. REMOVE ALL BURRS AND SHARP EDGES

TOLERANCES

DEC. DIM. ±  
 FRAC. DIM. ±  
 ANGULAR DIM. ±