

IF IT IS FOUND DESIRABLE TO CHANGE ANY TOLERANCE OR OTHER DETAIL SPECIFIED ON THIS DRAWING NOTIFY THE PURCHASER PROMPTLY.

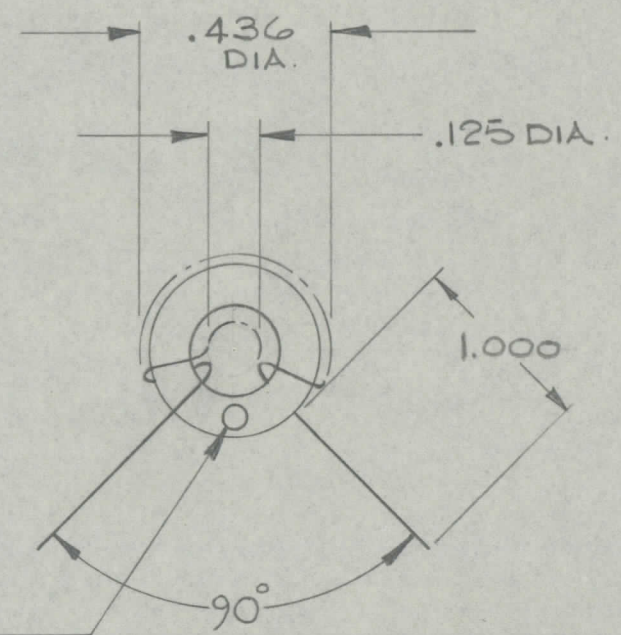
DIMENSIONS IN INCHES UNLESS OTHERWISE SPECIFIED

MAXIMUM ALLOWABLE TOLERANCES HAVE BEEN DETERMINED AND DEVIATIONS WILL BE CAUSE FOR REJECTION. REMOVE ALL BURRS AND SHARP EDGES.

ISSUE	ITEM	CHANGED FROM	DATE	CN. NO.	DRAFTS	CHECKER	ENG. APP.
φ		PROD RELEASE	23 AUG 70		<i>[Signature]</i>		NH

REQ.	ITEM	PART NO.	DESCRIPTION	SYMBOL
------	------	----------	-------------	--------

CL 10043-1  
- RCA



INDUCTANCE 0.448 μH ± 1%  
TYP SELF CAP 0.5 pF

IDENTIFICATION DOT  
COLOUR BROWN

STOCK SIZE		TMC (Canada) LIMITED OTTAWA ONTARIO		
MATERIAL				
WEIGHT PER PC				
TYPE & TEMPER		SIMPSON	NH	<i>[Signature]</i>
HEAT TREAT SPEC.		DRAWN	ELEC. DES. APP.	MECH. DES. APP.
FINISH & SPEC. NO.		CHECKED	FINAL APPROVAL	
		CL 10043-1-RCA φ		

TOLERANCES UNLESS OTHERWISE SPECIFIED		SCALE: 2:1
ALL OTHERS	DEC. DIM. ± .015 FRAC. DIM. ± 1/64 ANGULAR DIM. ± 5°	DRILL, PUNCH, COMMERCIAL STOCK SIZES AND MANUFACTURERS TOLERANCES ARE NOT INCLUDED.

AMC 8	074170	23 AUG 70
MODEL	PROJECT NO.	DATE
USED ON		