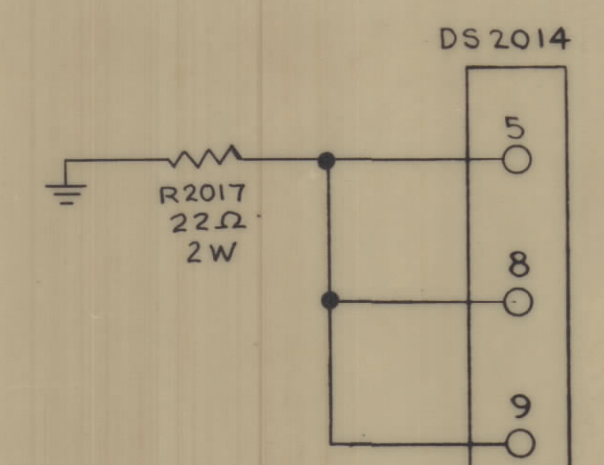
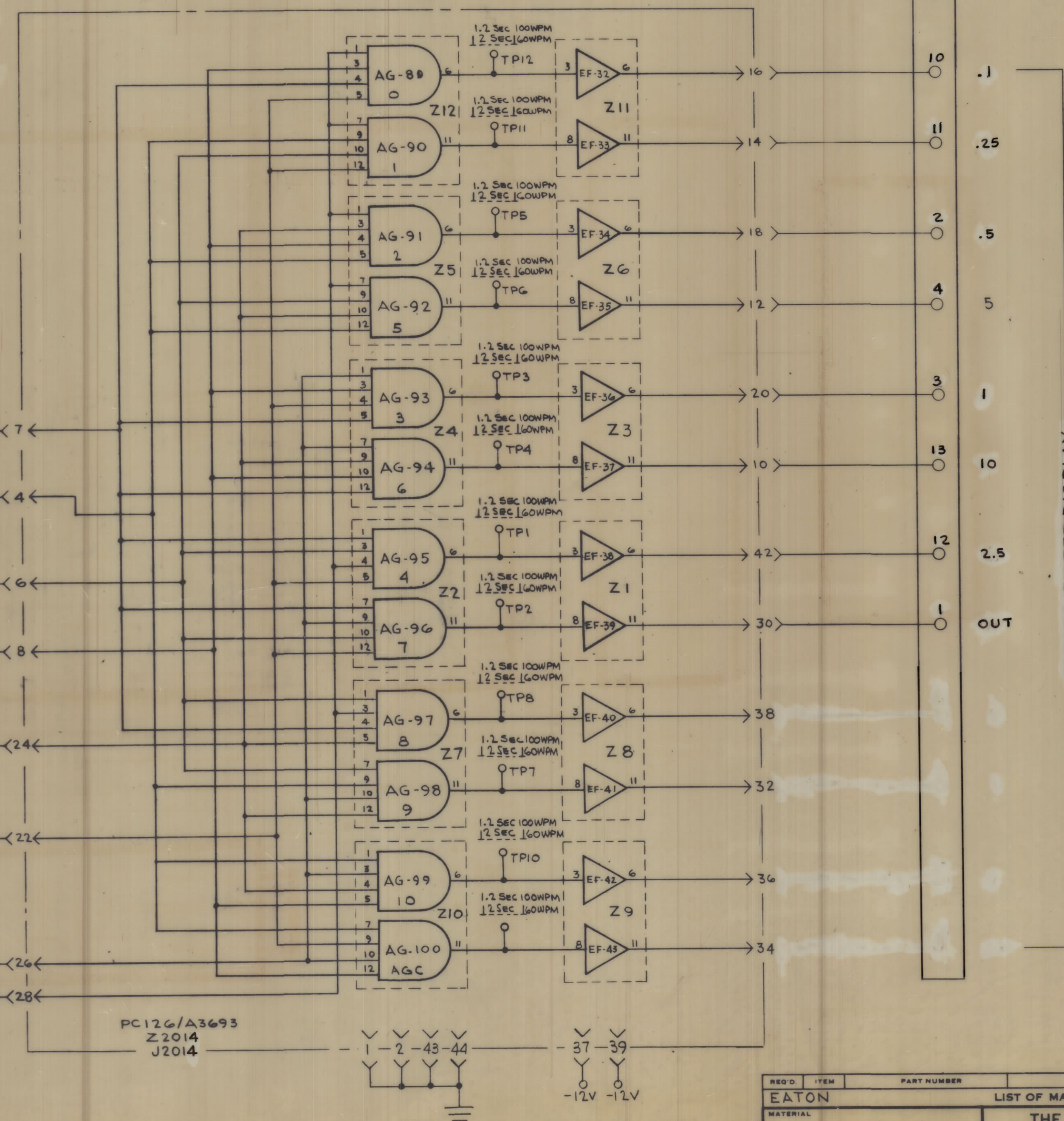
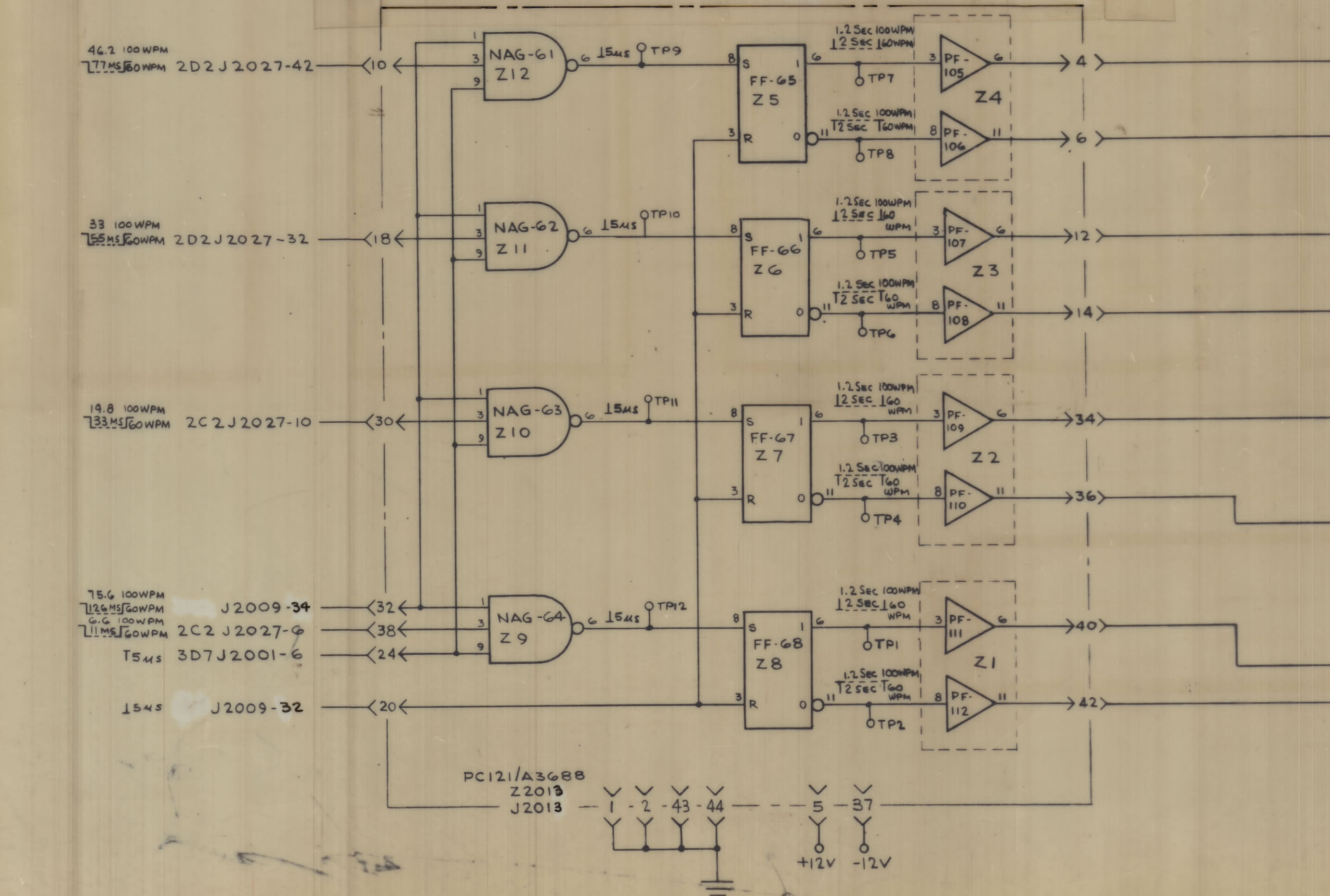
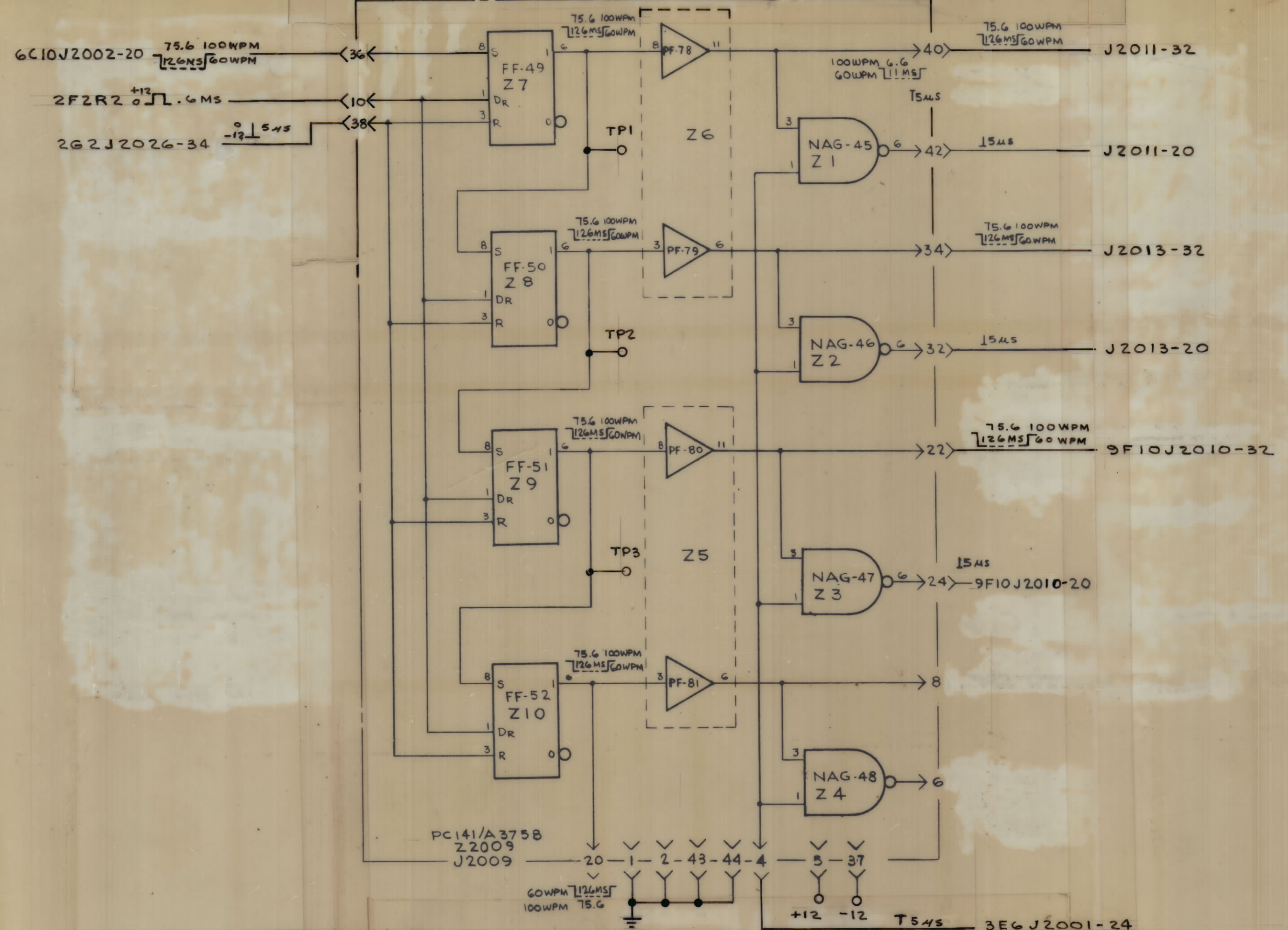


REVISIONS						
SYM	DESCRIPTION	DATE	E.M.N. NO.	DRAFT	CHKD	APPD
0	ORIGINAL RELEASE FOR PRODUCTION	5/6/66	-M-	JL		
A	SEE SHTS 1 & 2	1/16/66	15533	PKK		
B	SEE SHTS 1 OF 9 + 8 OF 9	1-18-66	15978	WJW		



HI-PASS FILTER DISPLAY

LAST NUMBER USED	
AG 100	
EF 43	
FF 68	
NAG 64	
PF 112	

REQ'D	ITEM	PART NUMBER	DESCRIPTION	SYMBOL
EATON LIST OF MATERIAL				
THE TECHNICAL MATERIEL CORP. MAMARONECK, NEW YORK				
TITLE: DIAGRAM, LOGIC, DETAILED RTID-1				
UNLESS OTHERWISE SPECIFIED				
DIMENSIONS ARE IN INCHES AND INCLUDE CHEMICALLY APPLIED OR PLATED FINISHES				
DECIMALS	FRACTIONS	SELECT DEN	DATE	CK 990 B
1/2 08	3/16			
3/32 08	1/8			
1/16 08	3/32			
3/64 08	1/16			
1/32 08	3/64			
1/64 08	1/32			
1/128 08	1/64			
1/256 08	1/128			
TOLERANCES				
FRACTIONS				
DECIMALS				
SHEET 9 OF 9				