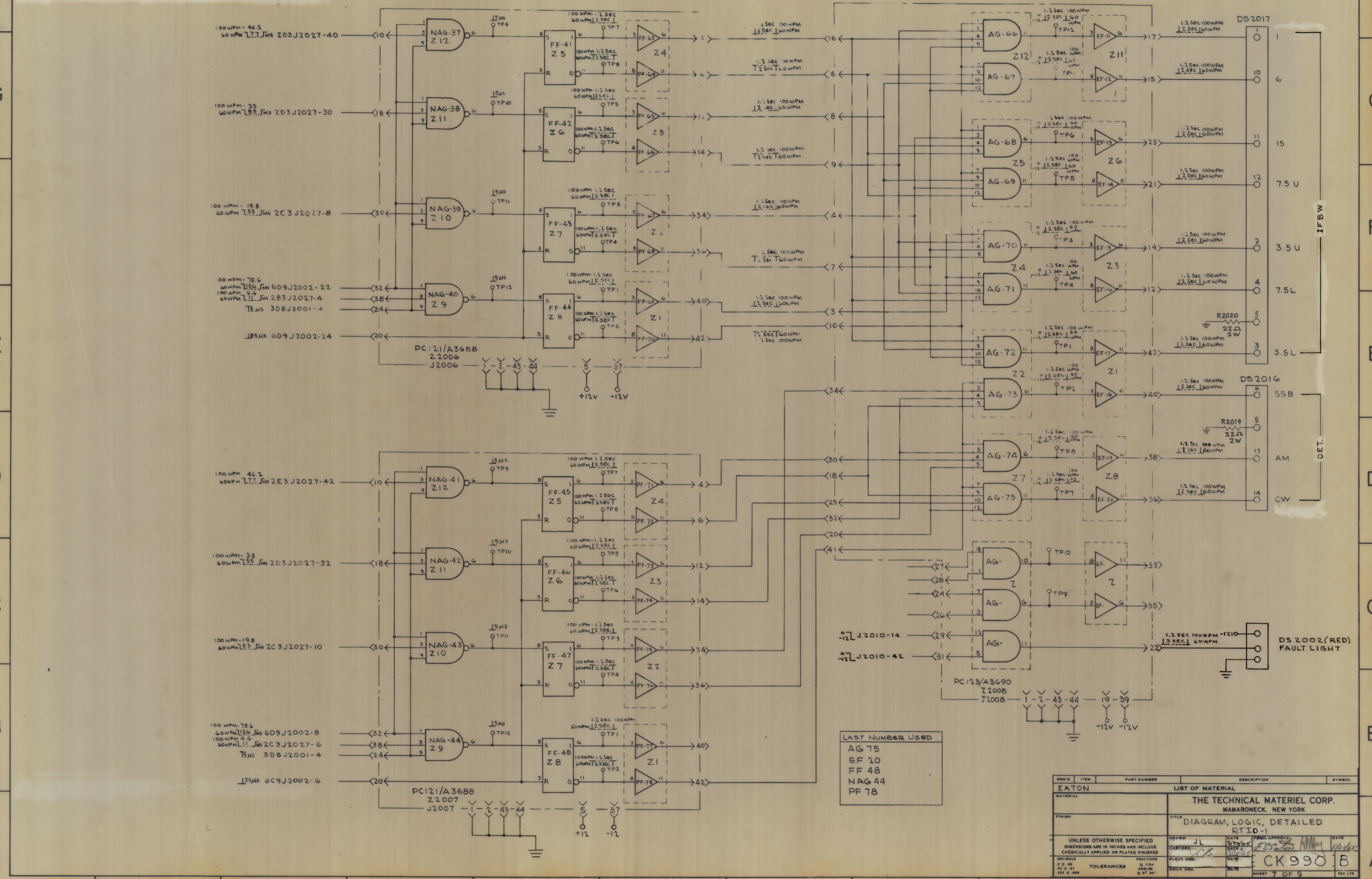


REVISIONS

REV	DESCRIPTION	DATE	E.M.R. NO.	DRAFT	CHKD	APPD
1	ORIGINAL RELEASE FOR PRODUCTION	7/16/66	AM	✓		
A	SEE SHTS 1 & 2	7/20/66	5539	P.K.V.		
B	SEE SHTS 1 OF 9 + 8 OF 9	1-18-66	15978	WJO		



LAST NUMBER USED  
 AG 75  
 EF 10  
 FF 48  
 NAG 44  
 PF 78

REQ'D	ITEM	PART NUMBER	DESCRIPTION	SYMBOL
EATON LIST OF MATERIAL				
MATERIAL THE TECHNICAL MATERIEL CORP. MAMARONECK, NEW YORK				
FINISH TITLE DIAGRAM, LOGIC, DETAILED RTID-1				
UNLESS OTHERWISE SPECIFIED DIMENSIONS ARE IN INCHES AND INCLUDE CHEMICALLY APPLIED OR PLATED FINISHES		DRAWN JL	DATE 5/29/65	FINAL APPROVAL
SECTIONS	J 1 ± .08	2 ± .01	3 ± .005	DATE
TOLERANCES	FRACTIONS 3/16 ± .005		ELECT. DIM.	DATE
	MECH. DIM.		DATE	DATE
SHEET 7 OF 9				REV LTR