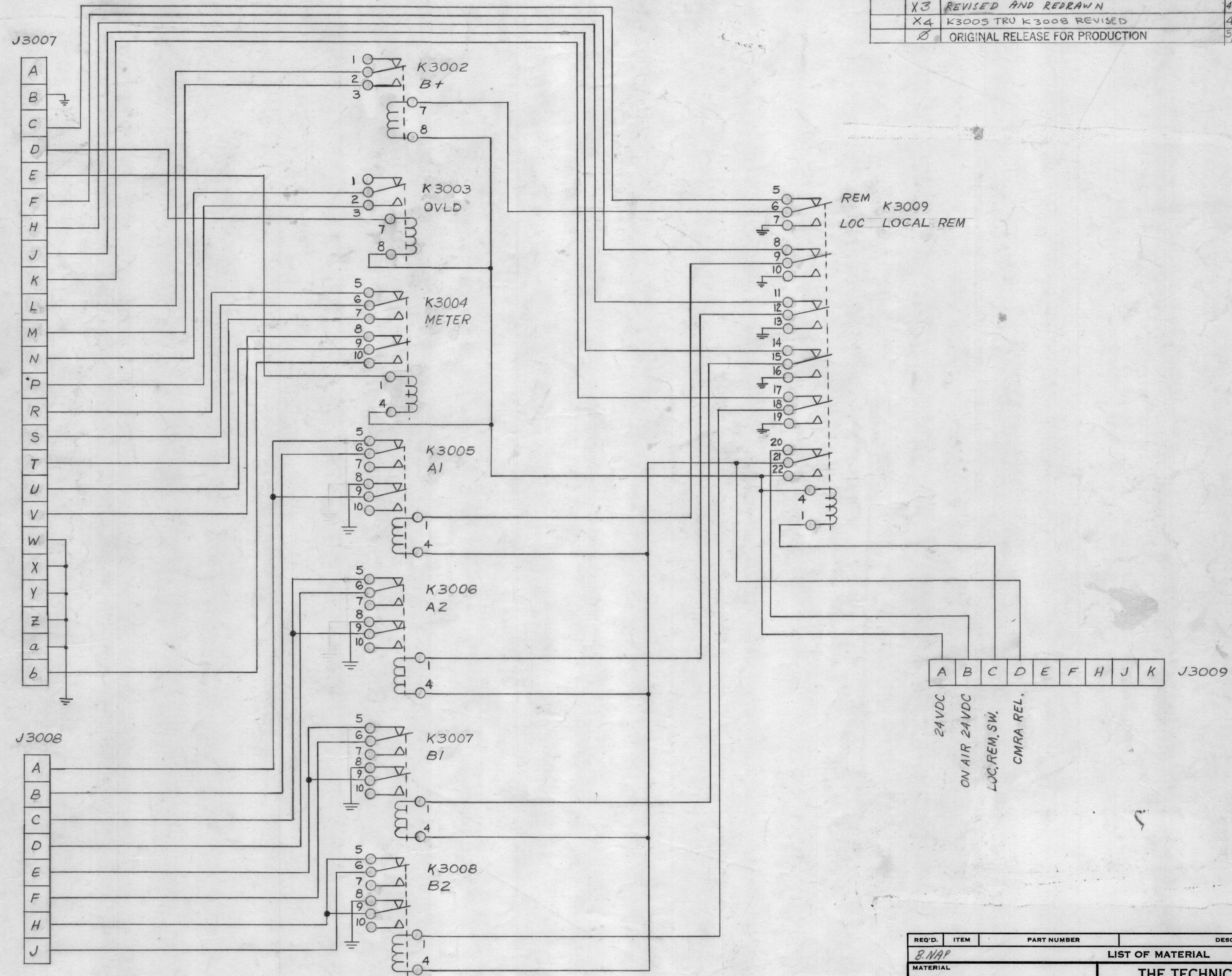


REVISIONS							
ZONE	SYM	DESCRIPTION	DATE	E.M.N. NO.	DRAFT	CHKD	APPD
X3		REVISED AND REDRAWN	4-19-65		DM		
X4		K3005 TRU K3008 REVISED	4-22-66		SKS		GA
Ø		ORIGINAL RELEASE FOR PRODUCTION	5/27/66	Ø	CV		JLB



CK940

REQ'D.	ITEM	PART NUMBER	DESCRIPTION	SYMBOL
LIST OF MATERIAL				
MATERIAL			THE TECHNICAL MATERIEL CORP. MAMARONECK, NEW YORK	
FINISH			TITLE	
			DIAGRAM, SCHEMATIC, AX566	
UNLESS OTHERWISE SPECIFIED DIMENSIONS ARE IN INCHES AND INCLUDE CHEMICALLY APPLIED OR PLATED FINISHES		DRAWN	DATE	FINAL APPROVAL
		DM	3-11-65	DM
		CHECKED	DATE	DATE
		SKS	1/22/65	5/27/66
		ELECT. DES.	DATE	
		DM	6-2-66	
		MECH. DES.	DATE	
SHEET			REV. LTR.	

Q'TY./UNIT	MODEL USED ON	ASS'Y. NO.
1	AX566	A4208
SCALE	CODE	
THE CONTENTS OF THIS DRAWING ARE THE EXCLUSIVE PROPERTY OF THE TECHNICAL MATERIEL CORP. ITS UNAUTHORIZED USE OR REPRODUCTION IN WHOLE OR IN PART IS STRICTLY FORBIDDEN.		

NOTES