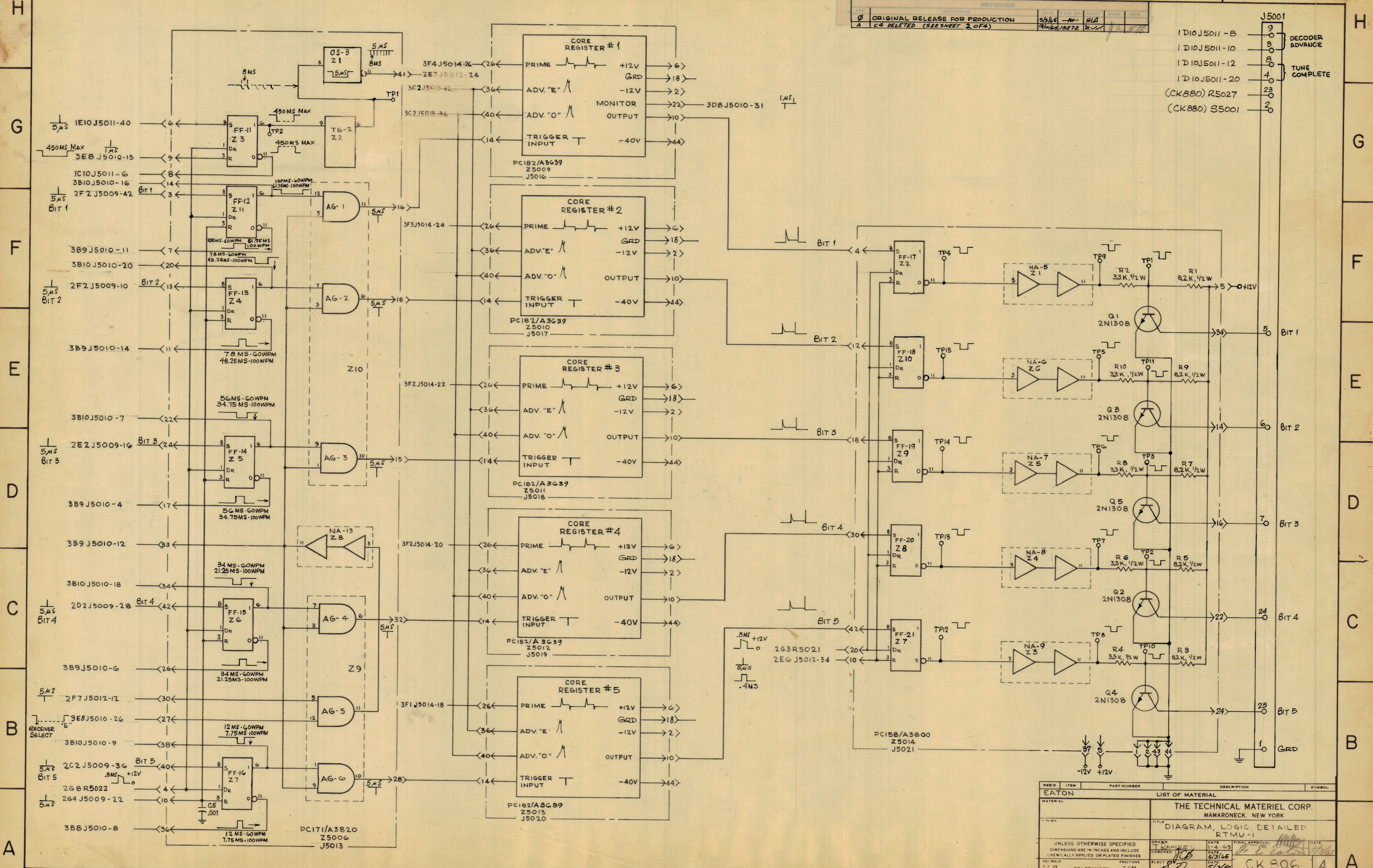


Ø	ORIGINAL RELEASE FOR PRODUCTION	5/9/66	-M-	HLA		
A	C4 DELETED (SEE SHEET 2 OF 4)	14/16/65/15272				



J5001	1 D10J5011-8	9	DECODER ADVANCE
	1 D10J5011-10	3	
	1 D10J5011-12	8	
	1 D10J5011-20	4	TUNE COMPLETE
	(CK880) R5027	23	
	(CK880) S5001	20	

REQ'D.	ITEM	PART NUMBER	DESCRIPTION	SYMBOL
EATON LIST OF MATERIAL				
THE TECHNICAL MATERIEL CORP. MAMARONECK, NEW YORK				
TITLE DIAGRAM, LOGIC, DETAILED RTMU-1				
UNLESS OTHERWISE SPECIFIED DIMENSIONS ARE IN INCHES AND INCLUDE CHEMICALLY APPLIED OR PLATED FINISHES		DRAWN T. WAMPE	DATE 1-4-65	DATE 5/3/66
DECIMALS 1 = .05 2 = .01 3 = .005	FRACTIONS ± 1/64 ANGLES ± 30'	ELECT. S. D.	DATE 5/3/66	DATE 5/3/66
TOLERANCES			CK 806	A
SHEET 4 OF 4				REV. LTR.