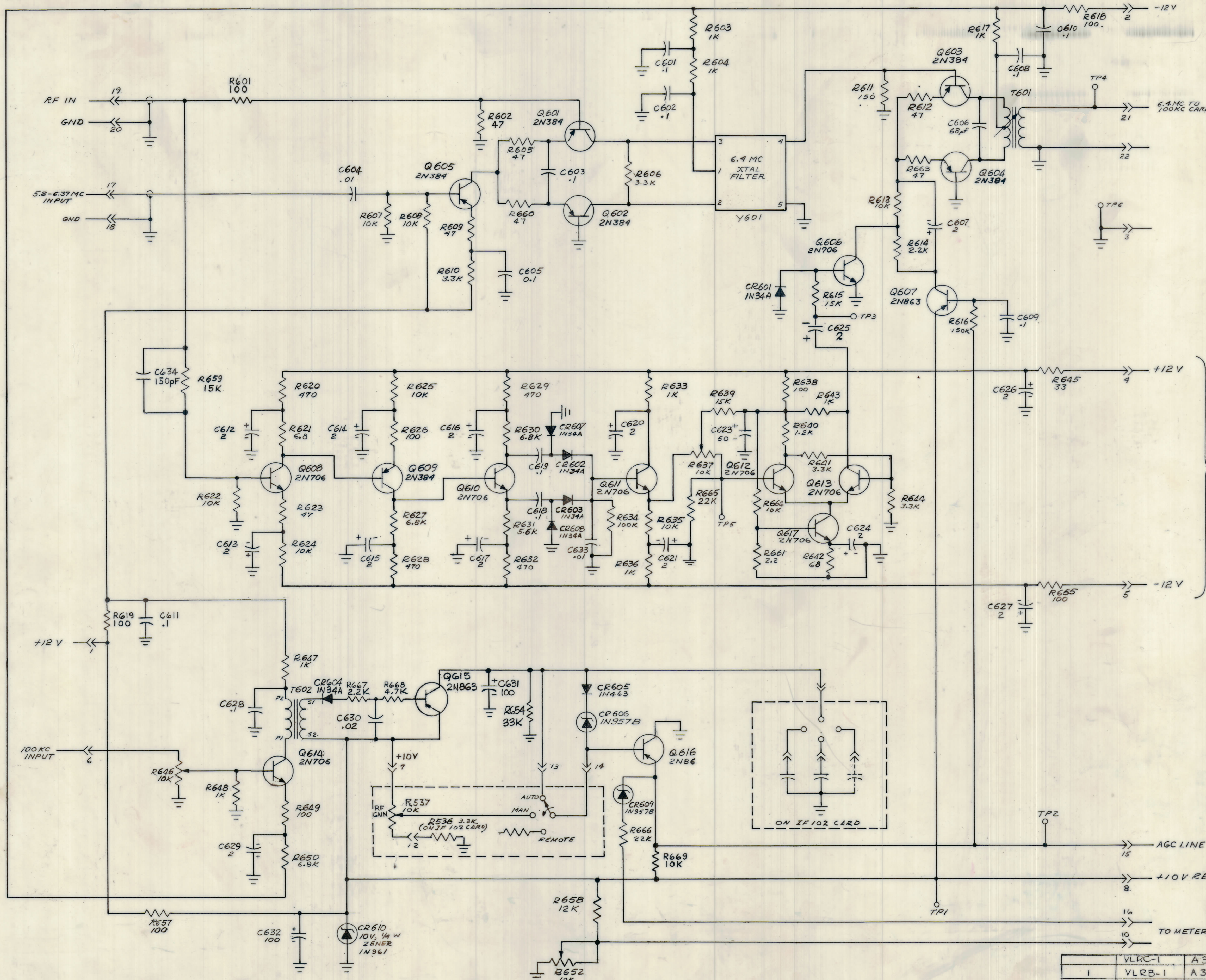


REVISIONS						
SYM	DESCRIPTION	DATE	E.M.N. NO.	DRAFT	CHKD	APPD
X	EXPERIMENTAL RELEASE	6-20-44	-4	GDL		
Z	ORIGINAL RELEASE FOR PRODUCTION	10-23-44	5			
A	ON PICT: R537 WAS R651; (RF GAIN) ADD. ON MISSING SYM. CHART (R651) ADD. U/O (A3661) ADD.	12-10-44	13099	9%		
B	R665 RELOCATED FROM EMITTER 2611 TO BASE Q612	3/17/45	14527	DKK		
C	VLRC-1 ADDED TO 'USED ON' BLOCK	5-11-47	18267	UHO		
D	REVISED & UPDATED DRAWING	6-23-47	18305	LAK		
E	FOLIAEITY SWIP TO C651 ADDED ON C606 IN 557B WAS 2.4V, 1/4W ZENER	11/21/48	19110	LH		



CONNECTED TO FRONT PANEL NOISE SILENCER DPDT ON-OFF TOGGLE SWITCH.

UNLESS OTHERWISE SPECIFIED ALL CAPACITORS ARE μ F ALL RESISTORS ARE IN OHMS, 1/2W.

LAST SYMBOLS	MISSING SYMBOLS
R669	R653
C634	R656
CR610	C622
Q617	R651
T602	R662
Y601	

REQ. ITEM	PART NO.	DESCRIPTION	SYMBOL
1	VLRC-1	A3661	
QTY/UNIT	VLRB-1	A3661	M. GELLMAN
SCALE	MODEL USED ON	A59V. NO.	

THE TECHNICAL MATERIEL CORP. MAMARONECK, NEW YORK	SYMBOL
DIAGRAM, SCHEMATIC	
AGC-NOISE SILENCER-6.4MC-IF	
CDL	202
DRAWN	CK
CHECKED	
FINAL APPROVAL	
ELEC. DES. APP.	MECH. DES. APP.
CK 750	E