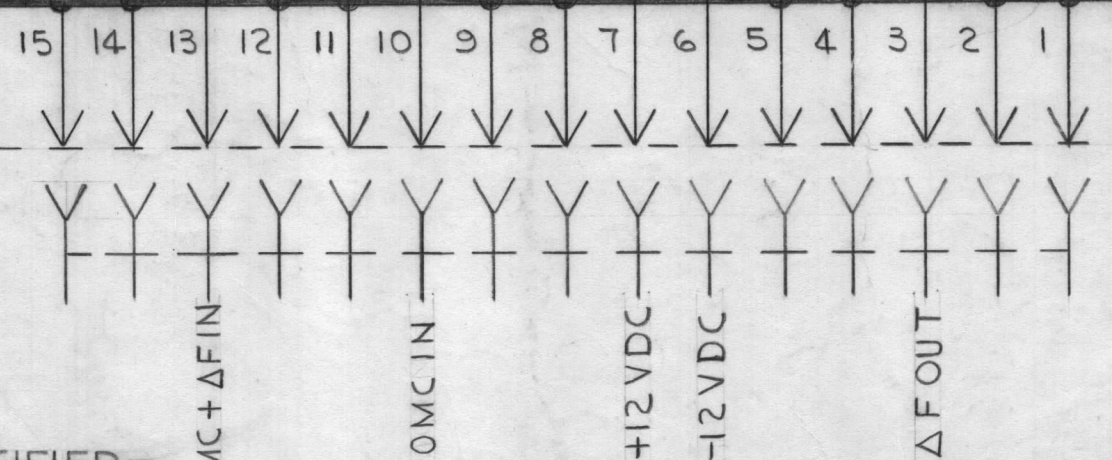
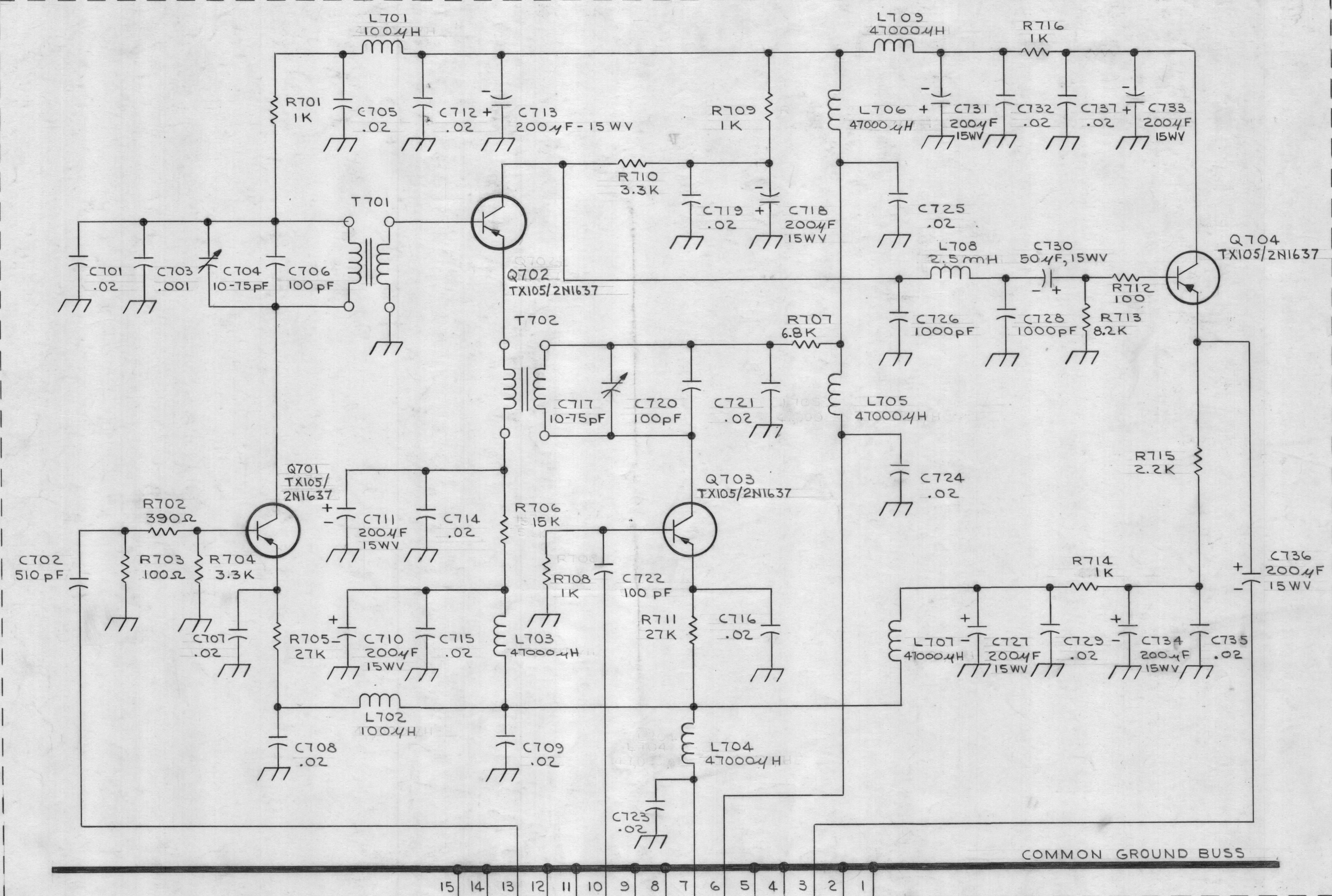


ZONE	SYM	DESCRIPTION	DATE	EMN NO	DRAFT	CHKD	APPD	REVISIONS							
G2,3	B	15WV ADDED TO C731 & C733	10.29.64	12786	JTB			ZONE	SYM	DESCRIPTION	DATE	E.M.N. NO.	DRAFT	CHKD	APPD
	C	Q701 THRU Q704 P/N WAS "2N1637"	1.11.64	13252	R.F.			#	X1	C734 WAS C735, C735 WAS C734; L703 WAS 100uH	1/24/64	1	JTB		
									X2	L706 WAS 100uH, L707 WAS 100uH	4/3/64	2	JL		
									O	ORIGINAL RELEASE FOR PRODUCTION	7.31.64		JTB		
									A	R702 WAS 560, R703 W. 330, R704 W. 1K, R706 W. 5.6K, R707 W. 1K, R710 W. 2.2K, R713 W. 1K, R714 W. 8.2K, C722 W. 510, C730 W. 45	9.17.64	12395	JTB		



NOTE: SHOWN FROM PRINTED CIRCUIT SIDE.

FIRST SYMBOL	LAST SYMBOL
R701	R716
C701	C737
L701	L709
Q701	Q704
T701	T702
P	

- UNLESS OTHERWISE SPECIFIED -  
 1- ALL RESISTORS ARE IN OHMS.  
 2- ALL CAPACITORS ARE IN MICROFARADS.

NOTES

LFS-A-1		AX-474
QTY./UNIT	MODEL USED ON	ASSY. NO.
SCALE	CODE	
	A	

THE CONTENTS OF THIS DRAWING ARE THE EXCLUSIVE PROPERTY OF THE TECHNICAL MATERIEL CORP. ITS UNAUTHORIZED USE OR REPRODUCTION IN WHOLE OR IN PART IS STRICTLY FORBIDDEN.

REQ'D.	ITEM	PART NUMBER	DESCRIPTION	SYMBOL
M. GELLMAN LIST OF MATERIAL				
MATERIAL		THE TECHNICAL MATERIEL CORP. MAMARONECK, NEW YORK		
FINISH		TITLE		
		DIAGRAM, SCHEMATIC, ELECTRICAL (- MIXER MODULE)		
UNLESS OTHERWISE SPECIFIED DIMENSIONS ARE IN INCHES AND INCLUDE CHEMICALLY APPLIED OR PLATED FINISHES		DRAWN	DATE	FINAL APPROVAL
		J. LESHINSKI	10/28/63	
DECIMALS .X ± .05 .XX ± .01 .XXX ± .005		CHECKED	DATE	DATE
			7-31-64	
FRACTIONS ± 1/64 ANGLES ± 0° 30'		ELECT. DES.	DATE	
		MECH. DES.	DATE	
			SHEET	REV. LTR.
			CK-705	

CK-705