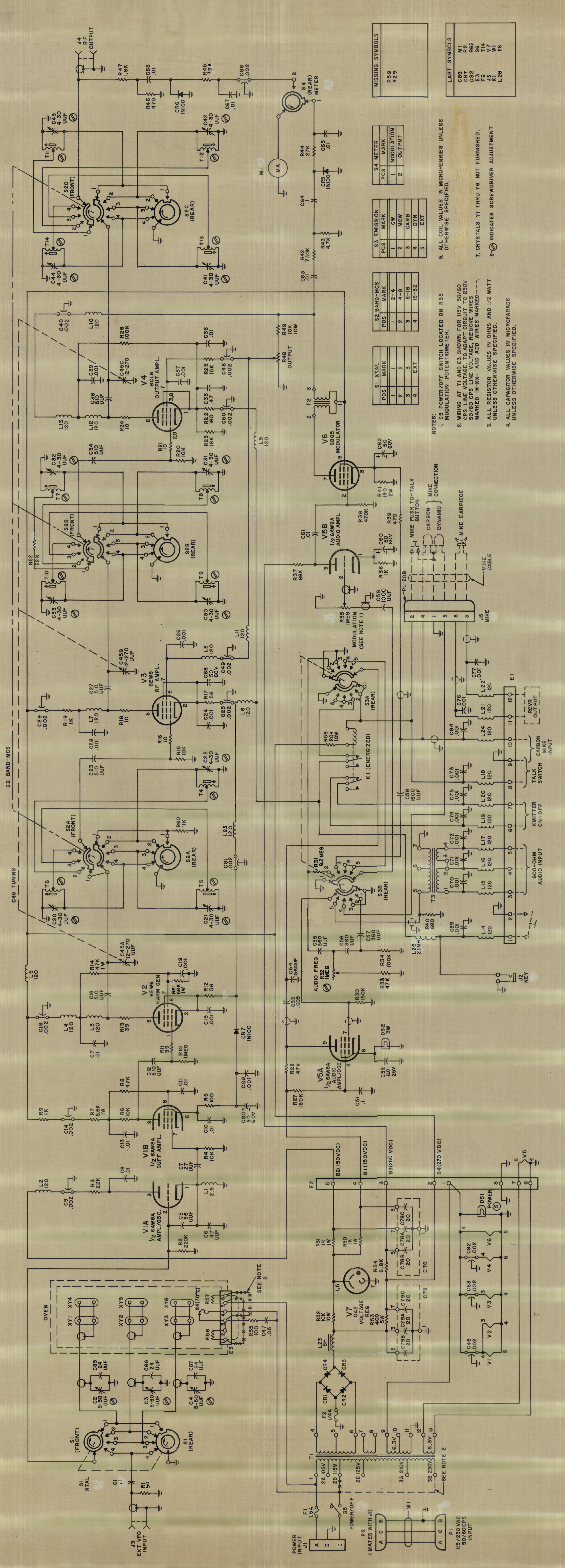


REV.	DESCRIPTION	DATE	BY	CHECKED	APP. AUTH.
1	REVISED PER WBS TO 100-46	11-17-54	WBS	WBS	
2	REVISED PER WBS TO 100-46	11-17-54	WBS	WBS	
3	REVISED PER WBS TO 100-46	11-17-54	WBS	WBS	
4	REVISED PER WBS TO 100-46	11-17-54	WBS	WBS	
5	REVISED PER WBS TO 100-46	11-17-54	WBS	WBS	
6	REVISED PER WBS TO 100-46	11-17-54	WBS	WBS	
7	REVISED PER WBS TO 100-46	11-17-54	WBS	WBS	
8	REVISED PER WBS TO 100-46	11-17-54	WBS	WBS	
9	REVISED PER WBS TO 100-46	11-17-54	WBS	WBS	
10	REVISED PER WBS TO 100-46	11-17-54	WBS	WBS	
11	REVISED PER WBS TO 100-46	11-17-54	WBS	WBS	
12	REVISED PER WBS TO 100-46	11-17-54	WBS	WBS	
13	REVISED PER WBS TO 100-46	11-17-54	WBS	WBS	
14	REVISED PER WBS TO 100-46	11-17-54	WBS	WBS	
15	REVISED PER WBS TO 100-46	11-17-54	WBS	WBS	
16	REVISED PER WBS TO 100-46	11-17-54	WBS	WBS	
17	REVISED PER WBS TO 100-46	11-17-54	WBS	WBS	
18	REVISED PER WBS TO 100-46	11-17-54	WBS	WBS	
19	REVISED PER WBS TO 100-46	11-17-54	WBS	WBS	
20	REVISED PER WBS TO 100-46	11-17-54	WBS	WBS	



- NOTES:
- S5 POWER/OFF SWITCH LOCATED ON R35 MODULATION POTENTIOMETER.
 - WIRING AT T1 AND E3 SHOWN FOR 115V 60/60 CPS LINE VOLTAGE TO ADAPT CIRCUIT TO 230V 50/60 CPS LINE VOLTAGE. REMOVE WIRES MARKED --- AND ADD WIRES MARKED --- UNLESS OTHERWISE SPECIFIED.
 - ALL RESISTOR VALUES IN OHMS AND 1/2 WATT UNLESS OTHERWISE SPECIFIED.
 - ALL CAPACITOR VALUES IN MICROFARADS UNLESS OTHERWISE SPECIFIED.
 - ALL COIL VALUES IN MICROHENRIES UNLESS OTHERWISE SPECIFIED.
 - CRYSTALS Y1 THRU Y6 NOT FURNISHED.
 - INDICATES SCREWDRIVER ADJUSTMENT.

POS	MARK
1	1
2	2
3	3
4	EXT

POS	MARK
1	2-4
2	5-8
3	9-16
4	16-32

POS	MARK
1	CW
2	MCW
3	CSWB
4	EXT

POS	MARK
1	MODULATION
2	OUTPUT

R59
R59

C89
C87
D82
E3
F2
K5
W1
L26