

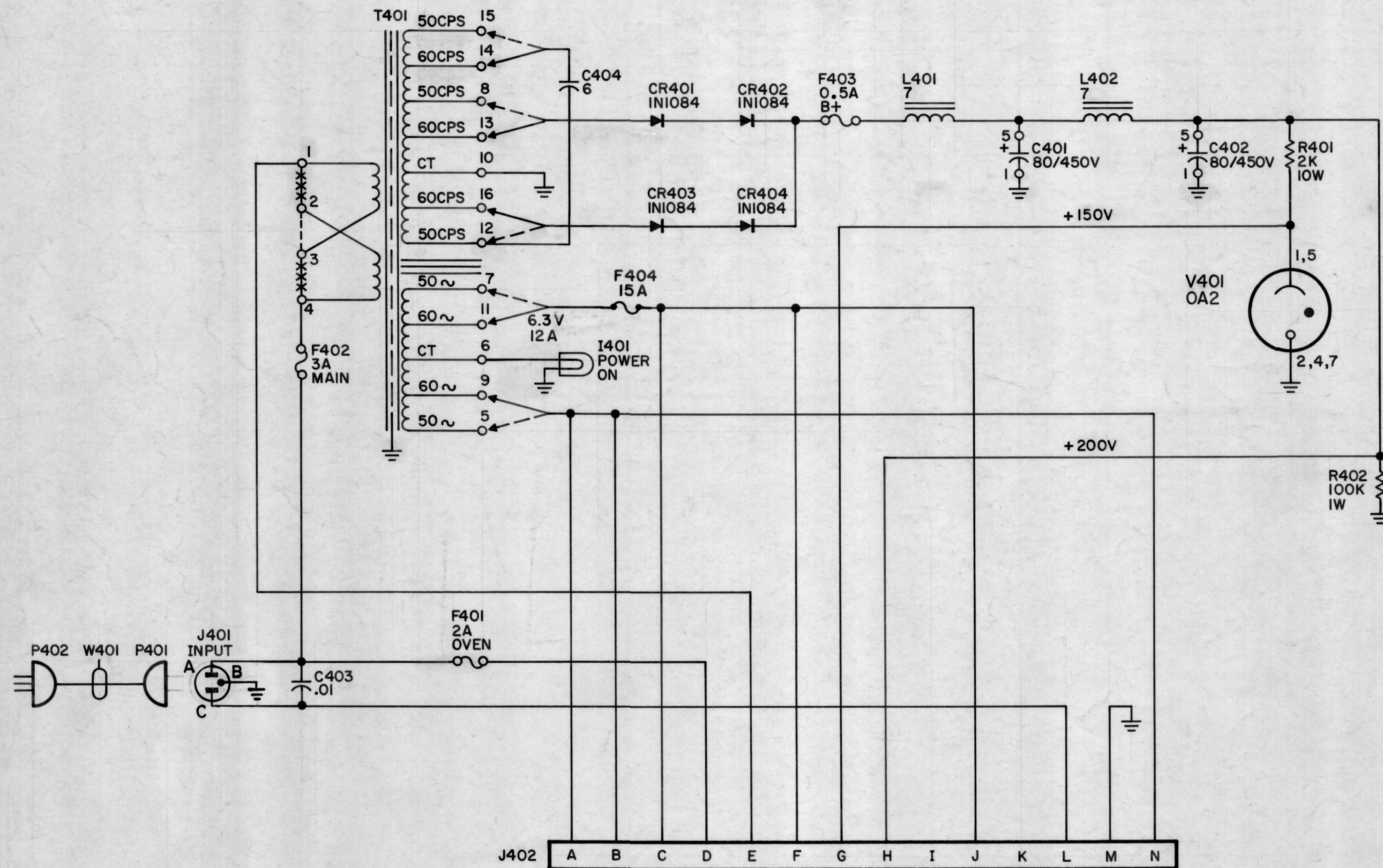
FOR 230V OPERATION OF T40I

- 1- REMOVE JUMPERS MARKED \*\*\* FROM TERMINALS 1, 2 & 3, 4.
- 2- ADD JUMPER MARKED --- BETWEEN TERMINALS 2 & 3.

FOR 50~ OPERATION OF T40I

- 1- REMOVE LEAD FROM TERMINAL 14 AND CONNECT IT ON TERMINAL 15.
- 2- " " " " 13 " " " " 8.
- 3- " " " " 16 " " " " 12.
- 4- " " " " 11 " " " " 7.
- 5- " " " " 9 " " " " 5.

NO. 3000 2-2-26  
 THE TECHNICAL MATERIEL CORPORATION claims proprietary right in the material disclosed herein. This drawing is issued in confidence for engineering information only and may not be reproduced or used to manufacture anything shown hereon without permission from THE TECHNICAL MATERIEL CORPORATION to the user. This drawing is loaned for mutual assistance and is subject to recall at any time.  
 Property of:  
 THE TECHNICAL MATERIEL CORPORATION  
 M. MAMARONECK, NEW YORK



UNLESS OTHERWISE SPECIFIED

ALL CAPACITORS ARE IN MICROFARADS.  
 ALL RESISTORS ARE 1/2 WATT.  
 ALL COILS ARE IN HENRIES.

LAST SYMBOLS

- C404
- CR404
- F404
- I401
- J402
- L402
- P402
- R402
- T401
- V401
- W401

MISSING SYMBOLS

SYM	ZONE	DESCRIPTION	DATE	CH. NO.	DRAFTS	CHECKER	ENG. APP.
C		PLUGS WERE 2/C	8-22-67	18457	H.G.		
B	F5, EG	F404, 15A ADDED, LAST SYMBOL F404 WAS F403	7-31-62	6998	G.S.		
A	F6	ON C404(G) CONNECTION ON BOTTOM OF CAP. CHANGED TO TERM 12	7-18-61	5273	G.D.L.		

UNLESS OTHERWISE SPECIFIED:  
 DIMENSIONS ARE IN INCHES  
 TOLERANCES ON FRACTIONS ± 1/64 DECIMALS ± .005 ANGLES ± 1/2°

SCALE: MAXIMUM ALLOWABLE TOLERANCES HAVE BEEN DETERMINED AND ANY DEVIATIONS WILL BE CAUSE FOR REJECTION. REMOVE ALL BURRS & SHARP EDGES

REQ. PER UNIT	MODEL	SECTION	ASS'Y. NO.	DATE
	CPP - 5			4 - 5 - 61

REQ. ITEM	PART NO.	DESCRIPTION	SYMBOL
THE TECHNICAL MATERIEL CORP. MAMARONECK, NEW YORK			
SCHEMATIC, DIAGRAM (MODEL - CPP-5)			
DRAWN: JOHN C. BIELE		CHECKED: [Signature]	FINAL APPROVAL: [Signature]
ELEC. DES. APP. [Signature]		MECH. DES. APP. [Signature]	SHEET OF: CK-494