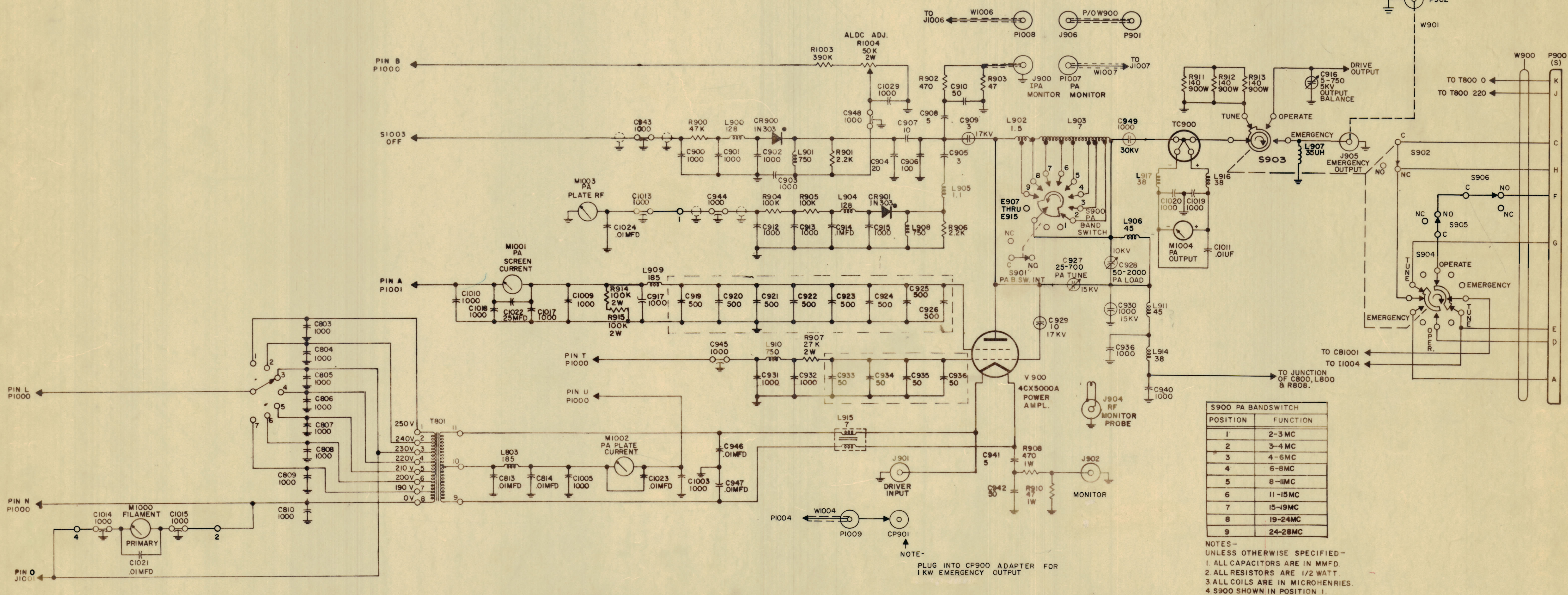


NOTICE TO PERSONS RECEIVING THIS DRAWING

THE TECHNICAL MATERIEL CORPORATION claims proprietary right in the material disclosed herein. This drawing is issued in confidence for engineering information only and may not be reproduced or used to manufacture anything shown hereon without permission from THE TECHNICAL MATERIEL CORPORATION to the user. This drawing is loaned for mutual assistance and is subject to recall at any time.

Property of:  
THE TECHNICAL MATERIEL CORPORATION\*  
MAMARONECK, NEW YORK

NOTE -  
FOR 1 KW EMERGENCY OUTPUT, DISCONNECT LEAD FROM S903 EMERGENCY POSITION TO J905 AND CONNECT CABLES W901 (LOOSE ITEM) AND W1004 AS SHOWN



POSITION	FUNCTION
1	2-3 MC
2	3-4 MC
3	4-6 MC
4	6-8 MC
5	8-11 MC
6	11-15 MC
7	15-19 MC
8	19-24 MC
9	24-28 MC

NOTES -  
UNLESS OTHERWISE SPECIFIED -  
1. ALL CAPACITORS ARE IN MMFD.  
2. ALL RESISTORS ARE 1/2 WATT.  
3. ALL COILS ARE IN MICROHENRIES.  
4. S900 SHOWN IN POSITION 1.  
5. S901 IS P/O INTERLOCK SYSTEM. SEE MASTER SCHEM.(CK-509) FOR CONNECTIONS.  
6. THE 800 & 1000 SYMBOL SERIES SHOWN ARE NOT P/O P.A.

LAST SYMBOLS	MISSING SYMBOLS
C949 C950 *E915 L917 P502 R915 S906 TC900 V900 W901 J906 CP901	C937, 938, 918, 911 E900 THRU E906 L912, L913, R909 J903

REV	DATE	DESCRIPTION	BY	CHKD
B2;E3	11-17-61	C911 Added On "Missing Symbols"; 30KV Was 15KV	h.h.	RB
B3		C949 WAS C948 On "Last Symbols"		
E4	8-21-61	S900 (RENUMBERED 1 THRU 9)	uh	RU
F3	7-29-61	(ON S903) L907 ADDED	4971	RU
B5	7-26-61	NOTE #5 WAS (CK-403)		
C7		PIN O WAS PIN D (HIGLY)		
C10		Feed Thru # 1 Was C1001, # 2 Was C1000, # 4 Was C1002		
B7	1-7-61	C928, 30-2000 WAS C928, 15-1000 PA LOAD	RU	YCB
E4		C927, 25-700 WAS C927, 11-500 ON PA TUNE		
C4	12-20-60	W901, W902, CP900, CP901, S905, S906 SIZE CAPPING NOTES ADDED	RU	YCB
C4		Under J902 The Word MONITOR WAS ADDED		

REV	DATE	DESCRIPTION	BY	CHKD
1		GRT40K (E)		

REQ. ITEM	PART NO.	DESCRIPTION	SYMBOL
THE TECHNICAL MATERIEL CORP. MAMARONECK, NEW YORK			
<b>SCHEMATIC, DIAGRAM</b>			
<b>PA SECTION: 2 - 28 MC</b>			
DRAWN J.C. Biale		FINAL APPROVAL RB	
CHECKED		DATE 11-29-60	
TYPE & TEMPER.		SHEET OF CK-465 F	

CK-465 F