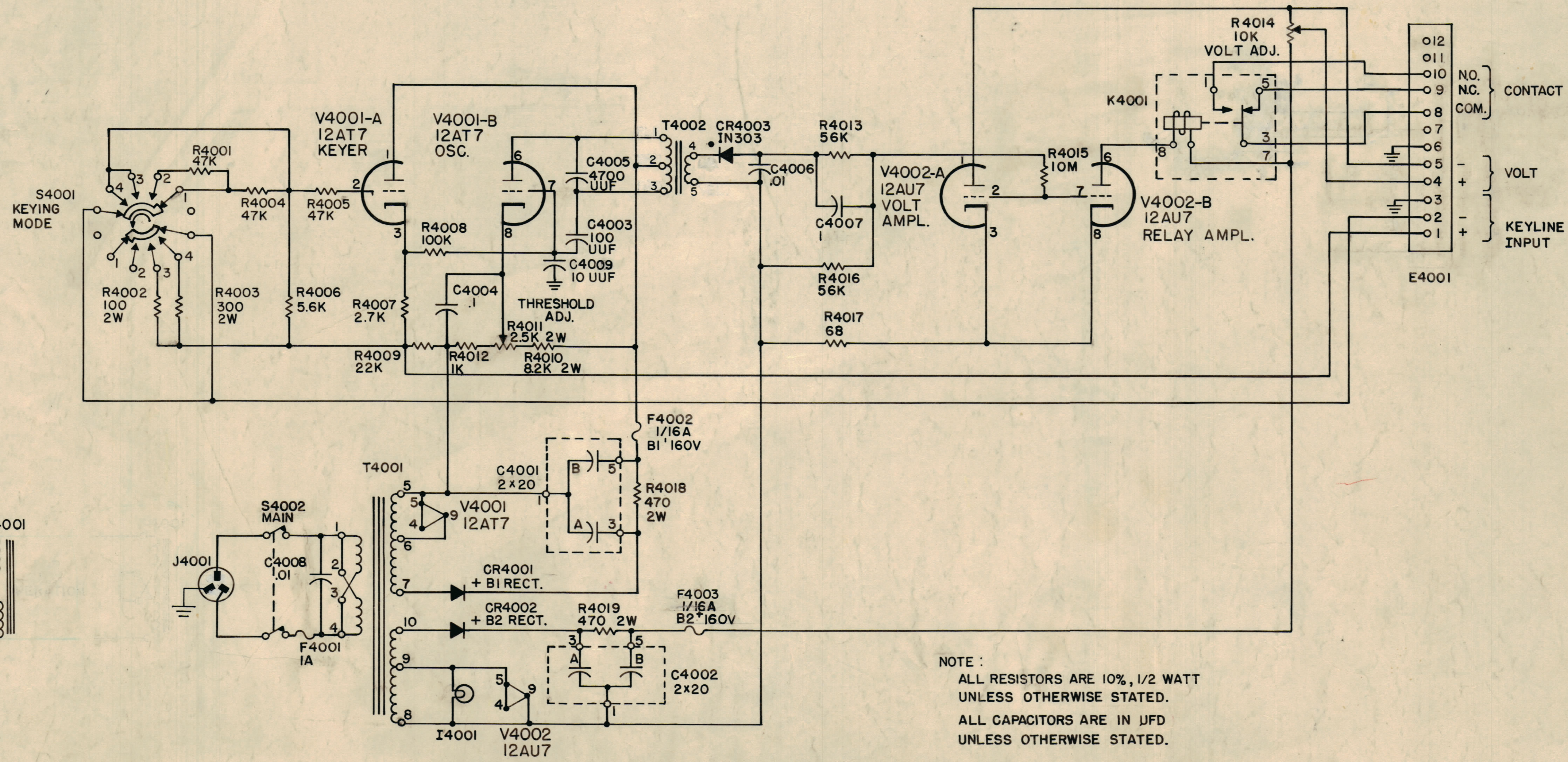


IF IT IS FOUND DESIRABLE TO CHANGE ANY TOLERANCE OR OTHER DETAIL SPECIFIED ON THIS DRAWING NOTIFY THE PURCHASER PROMPTLY.
 MAXIMUM ALLOWABLE TOLERANCES HAVE BEEN DETERMINED AND DEVIATIONS WILL BE CAUSE FOR REJECTION. REMOVE ALL BURRS AND SHARP EDGES.

NOTICE TO PERSONS RECEIVING THIS DRAWING
 THE TECHNICAL MATERIEL CORPORATION claims proprietary right in the material disclosed herein. This drawing is issued in confidence for engineering information only and may not be reproduced or used to manufacture anything shown herein without permission from THE TECHNICAL MATERIEL CORPORATION to the user. This drawing is loaned for mutual assistance and is subject to recall at any time.
 Property of:
 THE TECHNICAL MATERIEL CORPORATION
 MAMARONECK, NEW YORK

S4001

| POS. | KEYING MODE |
|------|-------------|
| 1 | 50V |
| 2 | 100V |
| 3 | 60MA |
| 4 | 20MA |



NOTE:
 ALL RESISTORS ARE 10%, 1/2 WATT UNLESS OTHERWISE STATED.
 ALL CAPACITORS ARE IN UFD UNLESS OTHERWISE STATED.

NOTICE TO PERSONS RECEIVING THIS DRAWING
 THE TECHNICAL MATERIEL CORPORATION claims proprietary right in the material disclosed herein. This drawing is issued in confidence for engineering information only and may not be reproduced or used to manufacture anything shown herein without permission from THE TECHNICAL MATERIEL CORPORATION to the user. This drawing is loaned for mutual assistance and is subject to recall at any time.
 Property of:
 THE TECHNICAL MATERIEL CORPORATION
 MAMARONECK, NEW YORK

| ISSUE | ITEM | CHANGED FROM | DATE | CN. NO. | DRAFTER | CHECKER | ENG. APP. |
|-------|------|-----------------|---------|---------|---------|---------|-----------|
| A | 1 | C4009 WAS C4008 | 2-11-60 | 1853 | | | |
| A | 2 | C4008 WAS C4009 | 2-11-60 | 1702 | | | |
| A | 3 | C4009 WAS ADDED | 2-11-60 | 1702 | | | |

TOLERANCES: DEC. DIM. ±, FRACTIONAL DIM. ±, ANGULAR DIM. ±

SCALE: DRILL PUNCH COMMERCIAL STOCK SIZES AND MANUFACTURERS TOLERANCES ARE NOT INCLUDED.

| REQ. ITEM | PART NO. | DESCRIPTION | SYMBOL |
|--|----------|-----------------|--------|
| THE TECHNICAL MATERIEL CORP. MAMARONECK, NEW YORK | | | |
| STOCK SIZE | | | |
| ISOLATION KEYS | | | |
| AK-100 | | | |
| MATERIAL WEIGHT PER PC. | | | |
| TYPE & TEMPER | | | |
| D.J.MAN | | DRAWN | |
| ELEC. DES. APP. | | MECH. DES. APP. | |
| CHECKED | | FINAL APPROVAL | |
| HEAT TREAT. SPEC. | | | |
| FINISH & SPEC. NO. | | | |

| | | |
|---------------|-------------------|----------|
| AK-100 | ISK | 11/25/59 |
| REQ. PER UNIT | MODEL PROJECT NO. | DATE |
| USED ON | | |

CK-419