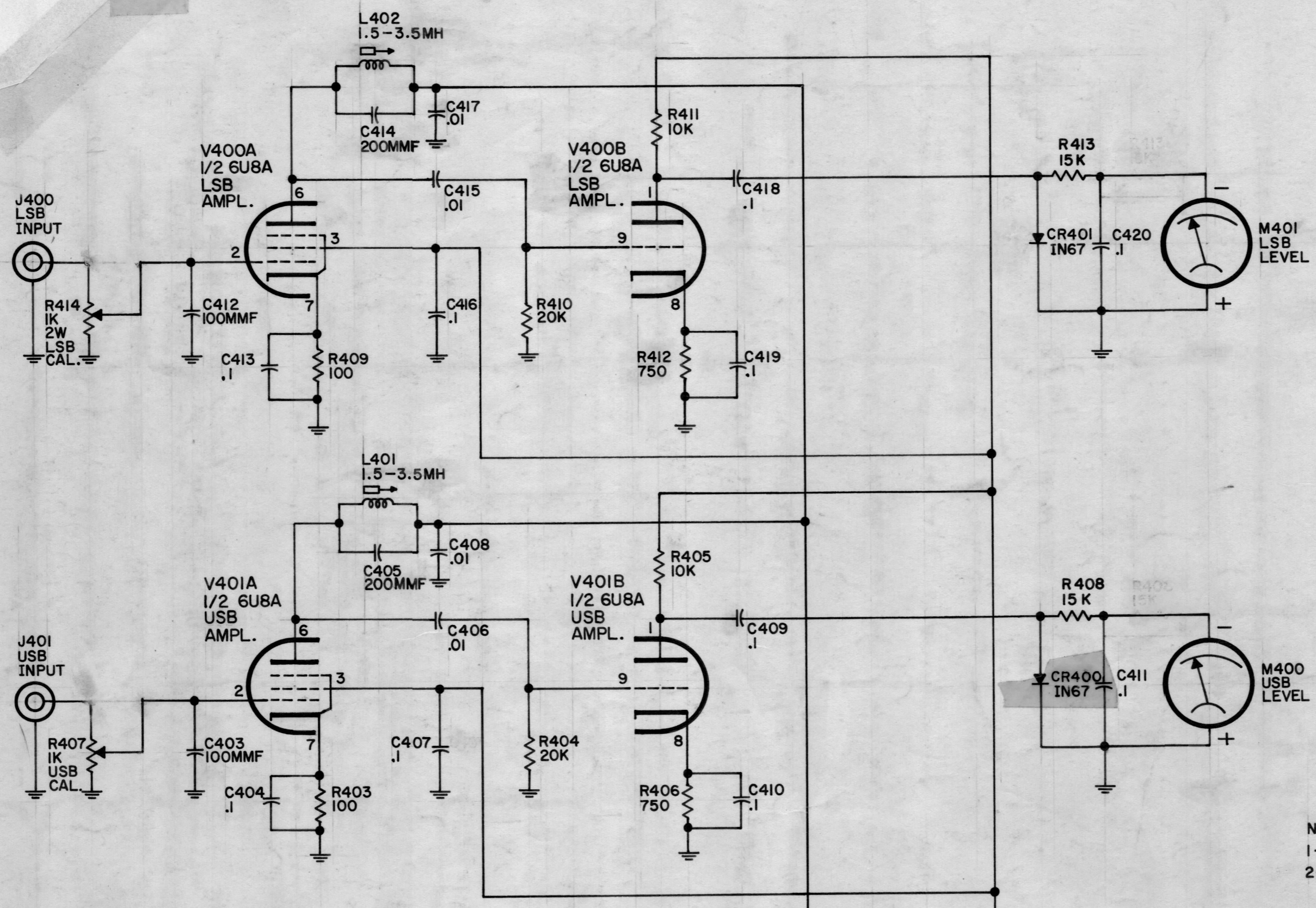


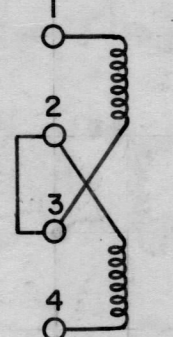
NOTICE TO PERSONS RECEIVING THIS DRAWING

THE TECHNICAL MATERIEL CORPORATION claims proprietary right in the material disclosed hereon. This drawing is issued in confidence for engineering information only and may not be reproduced or used to manufacture anything shown hereon without permission from THE TECHNICAL MATERIEL CORPORATION to the user. This drawing is loaned for mutual assistance and is subject to recall at any time.

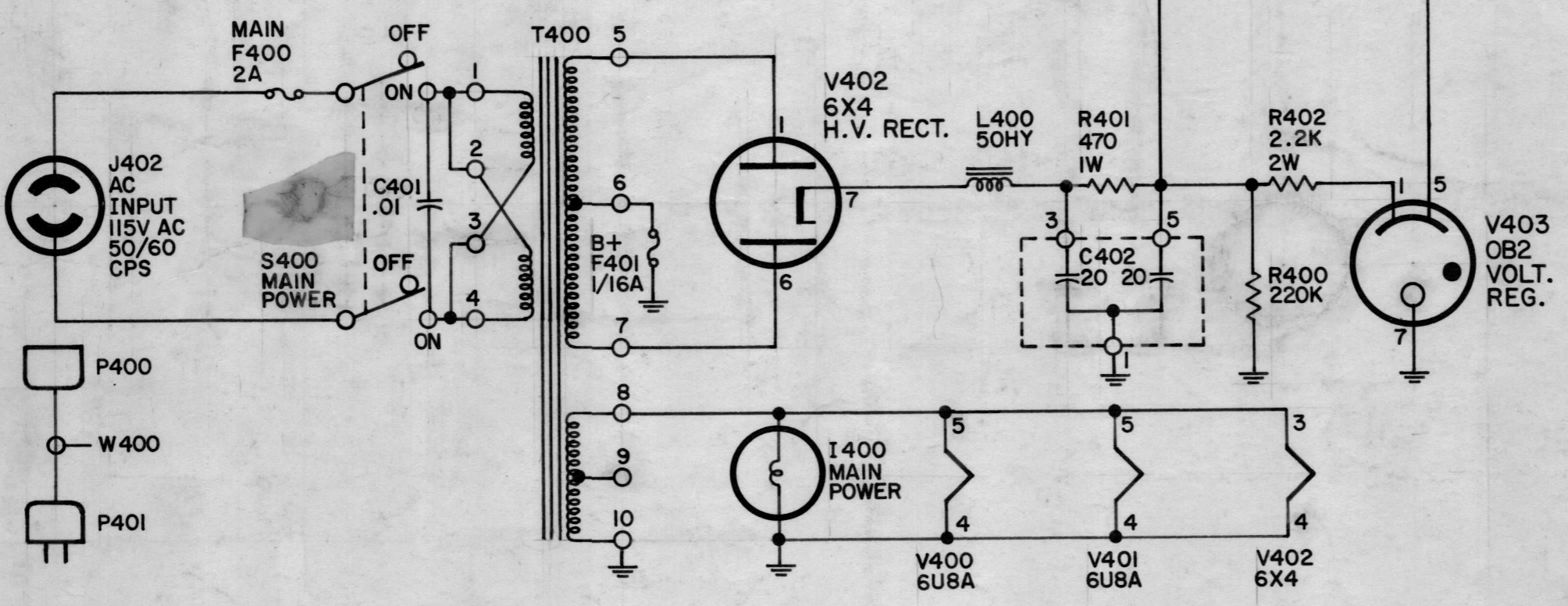
Property of:  
THE TECHNICAL MATERIEL CORPORATION  
MAMARONECK, NEW YORK



230V AC OPERATION



NOTE - FOR 230V AC OPERATION CHANGE F400 TO 1AMP.



NOTES - UNLESS OTHERWISE SPECIFIED  
1- ALL CAPACITORS ARE IN MFD.  
2- ALL RESISTORS ARE 1/2 WATT.

CK-418 C

LAST SYMBOLS	MISSING SYMBOLS
C420	C400
F401	
I400	
J402	
L402	
M401	
R414	
S400	
T400	
V403	
Y401	

ISSUE	ITEM	CHANGED FROM	DATE	CH. NO.	DRAFTS	CHECKER	ENG. APP.
C	2	CR400 WAS Y400 CR401 WAS Y401	4/20/60	2158	65	J.C.B.	
B	2	JUMPERS FROM R414 + R407 TO CENT. TAP DELETED	11	1552		J.C.B.	
A	1	PLACED C420 + C411 ACROSS M401 + M400	5/9			J.C.B.	
A	2	C401 Rewired C400 Deleted	11/6/59	1524		J.C.B.	

TOLERANCES		SCALE:
ALL	DEC. DIM. ±	DRILL, PUNCH, COMMERCIAL STOCK
OTHERS	FRAC. DIM. ±	SIZES AND MANUFACTURERS
	ANGULAR DIM. ±	TOLERANCES ARE NOT INCLUDED.

REQ. PER UNIT	MODEL	PROJECT NO.	ASSY. NO.	DATE
1	SLM-2			11-2-59
				USED ON

REQ. ITEM	PART NO.	DESCRIPTION	SYMBOL
THE TECHNICAL MATERIEL CORP. MAMARONECK, NEW YORK			
STOCK SIZE			
SCHEMATIC, DIAGRAM			
MATERIAL WEIGHT PER PC. SIDE BAND MONITOR			
J.C. Biele			
TYPE & TEMPER		DRAWN	ELEC. DES. APP. MECH. DES. APP.
HEAT TREAT. SPEC.		CHECKED	FINAL APPROVAL
FINISH & SPEC. NO.		CK-418 C	

Reduce To 68%