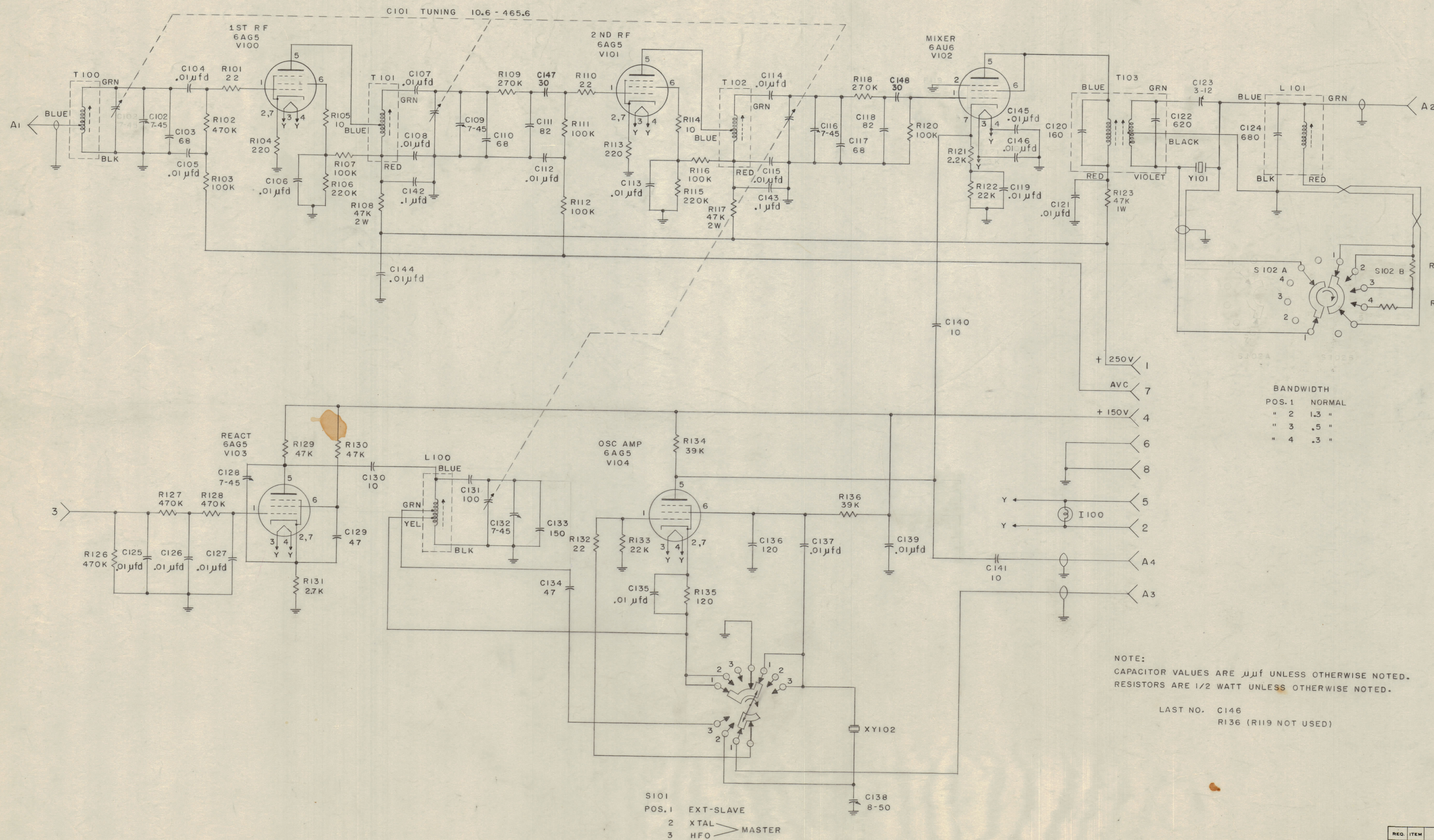


IF IT IS FOUND DESIRABLE TO CHANGE ANY TOLERANCE OR OTHER DETAIL SPECIFIED ON THIS DRAWING NOTIFY THE PURCHASER PROMPTLY.
 MAXIMUM ALLOWABLE TOLERANCES HAVE BEEN DETERMINED AND DEVIATIONS WILL BE CAUSE FOR REJECTION. REMOVE ALL BURRS AND SHARP EDGES.

NOTICE TO PERSONS RECEIVING THIS DRAWING

THE TECHNICAL MATERIEL CORPORATION claims proprietary right in the material disclosed herein. This drawing is issued in confidence for engineering information only and may not be reproduced or used to manufacture anything shown hereon without permission from THE TECHNICAL MATERIEL CORPORATION to the user. This drawing is loaned for mutual assistance and is subject to recall at any time.

Property of:
 THE TECHNICAL MATERIEL CORPORATION
 MAMARONECK, NEW YORK



BANDWIDTH

| | |
|--------|--------|
| POS. 1 | NORMAL |
| " 2 | 1.3 " |
| " 3 | .5 " |
| " 4 | .3 " |

NOTE:
 CAPACITOR VALUES ARE μμf UNLESS OTHERWISE NOTED.
 RESISTORS ARE 1/2 WATT UNLESS OTHERWISE NOTED.

LAST NO. C146
 R136 (R119 NOT USED)

S101
 POS. 1 EXT-SLAVE
 2 XTAL > MASTER
 3 HFO > MASTER

| | | | | | | | |
|-------|------|------------------|--------|---------|--------|---------|-----------|
| ISSUE | ITEM | CHANGED FROM | DATE | CN. NO. | DRAFTS | CHECKER | ENG. APP. |
| A | 1 | C147 & 148 ADDED | 6/1/56 | 1 | 2 | W.C.C. | A.J.J. |

TOLERANCES: DEC. DIM. ±, PRAC. DIM. ±, ANGULAR DIM. ±

SCALE: DRILL PUNCH, COMMERCIAL STOCK SIZES AND MANUFACTURERS TOLERANCES ARE NOT INCLUDED.

| | | | | |
|---------------|--------|-------------|-----------|---------|
| REQ. PER UNIT | MODEL | PROJECT NO. | ASSY. NO. | DATE |
| 1 | FFRD-1 | 458 | | 3-26-56 |

| REQ. ITEM | PART NO. | DESCRIPTION | SYMBOL |
|---|----------|-------------|--------|
| THE TECHNICAL MATERIEL CORP. MAMARONECK, NEW YORK | | | |
| SCHEMATIC DIAGRAM FFRD-1 | | | |
| CDD 3/26/56 PLK 4/10/56 | | | |
| DRAWN: [Signature] ELEC. DES. APP. MECH. DES. APP. | | | |
| HEAT TREAT. SPEC. CHECKED: [Signature] FINAL APPROVAL | | | |
| FINISH & SPEC. NO. CK-329 A | | | |

CK-329 A