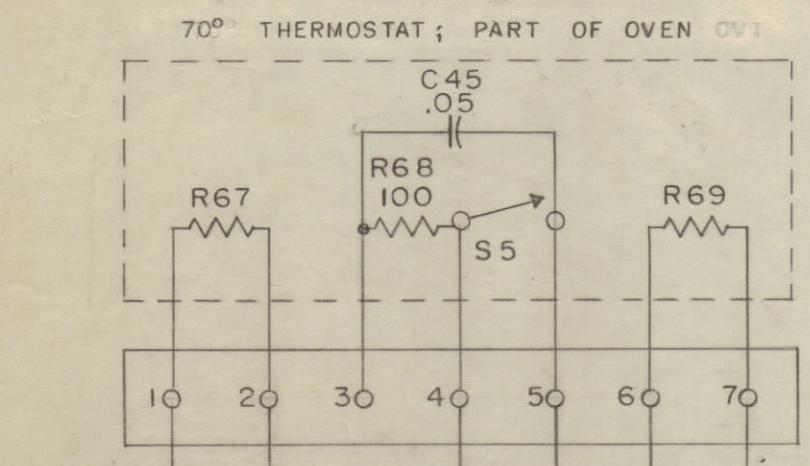
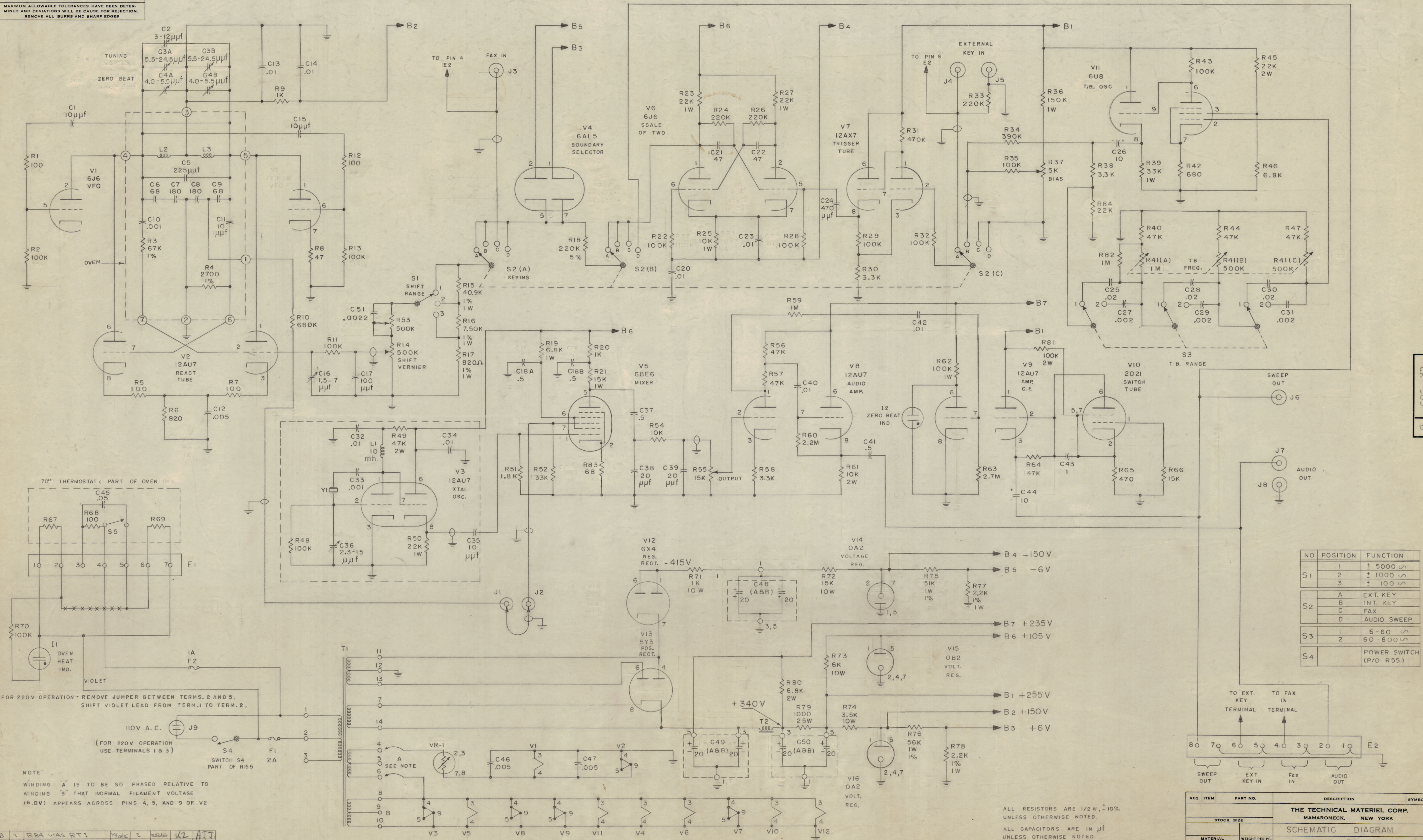


IF IT IS FOUND DESIRABLE TO CHANGE ANY TOLERANCE OR OTHER DETAIL SPECIFIED ON THIS DRAWING NOTIFY THE PURCHASER PROMPTLY.
 MAXIMUM ALLOWABLE TOLERANCES HAVE BEEN DETERMINED AND DEVIATIONS WILL BE CAUSE FOR REJECTION. REMOVE ALL BURRS AND SHARP EDGES.



FOR 220V OPERATION - REMOVE JUMPER BETWEEN TERMS. 2 AND 5. SHIFT VIOLET LEAD FROM TERM. 1 TO TERM. 2.

NOTE:
 WINDING 'A' IS TO BE SO PHASED RELATIVE TO WINDING 'B' THAT NORMAL FILAMENT VOLTAGE (6.0V) APPEARS ACROSS PINS 4, 5, AND 9 OF V2

| ISSUE | ITEM | CHANGED FROM | DATE | CH. NO. | DRAFTS | CHECKER | ENG. APP. |
|-------|------|-----------------------|---------|---------|--------|---------|-----------|
| B | 1 | R8A WAS RT1 | 1/15/55 | 2 | WZ | A.J.J. | |
| A | 1 | VALUES CHGD. C. 35-36 | 1/15/55 | 1 | WZ | A.J.J. | |
| | | ADDED - C51 & R83 | | | | | |

ALL OTHERS: DEC. DIM. ±, ANGULAR DIM. ±, DRILL PUNCH, COMMERCIAL STOCK SIZES AND MANUFACTURERS TOLERANCES ARE NOT INCLUDED.

| NO | POSITION | FUNCTION |
|----|----------|------------------------|
| S1 | 1 | ± 5000 Ω |
| | 2 | ± 1000 Ω |
| | 3 | ± 100 Ω |
| S2 | A | EXT. KEY |
| | B | INT. KEY |
| | C | FAX |
| | D | AUDIO SWEEP |
| S3 | 1 | 6-60 Ω |
| | 2 | 60-600 Ω |
| S4 | | POWER SWITCH (P/O R55) |

ALL RESISTORS ARE 1/2 W, ±10% UNLESS OTHERWISE NOTED.
 ALL CAPACITORS ARE IN μf UNLESS OTHERWISE NOTED.

| REQ PER UNIT | FSS | MODEL | PROJECT NO. | ASSY. NO. | DATE |
|--------------|-----|-------|-------------|-----------|---------|
| | | | | | 6-13-55 |

| REQ. ITEM | PART NO. | DESCRIPTION | SYMBOL |
|--|----------|-------------|--------|
| THE TECHNICAL MATERIEL CORP. MAMARONECK, NEW YORK | | | |
| SCHEMATIC DIAGRAM | | | |
| MODEL FSS | | | |
| DRAWN: 12-7-55 [Signature] WZ [Signature] [Signature] | | | |
| HEAT TREAT. SPEC. CHECKED: [Signature] FINAL APPROVAL: [Signature] | | | |
| FINISH & SPEC. NO. CK-303 B | | | |

CK-303 B