

REVISIONS

EM.N. NO.	DRAFT	CHKD	ZONE	LTR	DESCRIPTION	DATE	APPROVED

REQ'D ITEM	PART NUMBER	DESCRIPTION	SYM.
LIST OF MATERIAL			

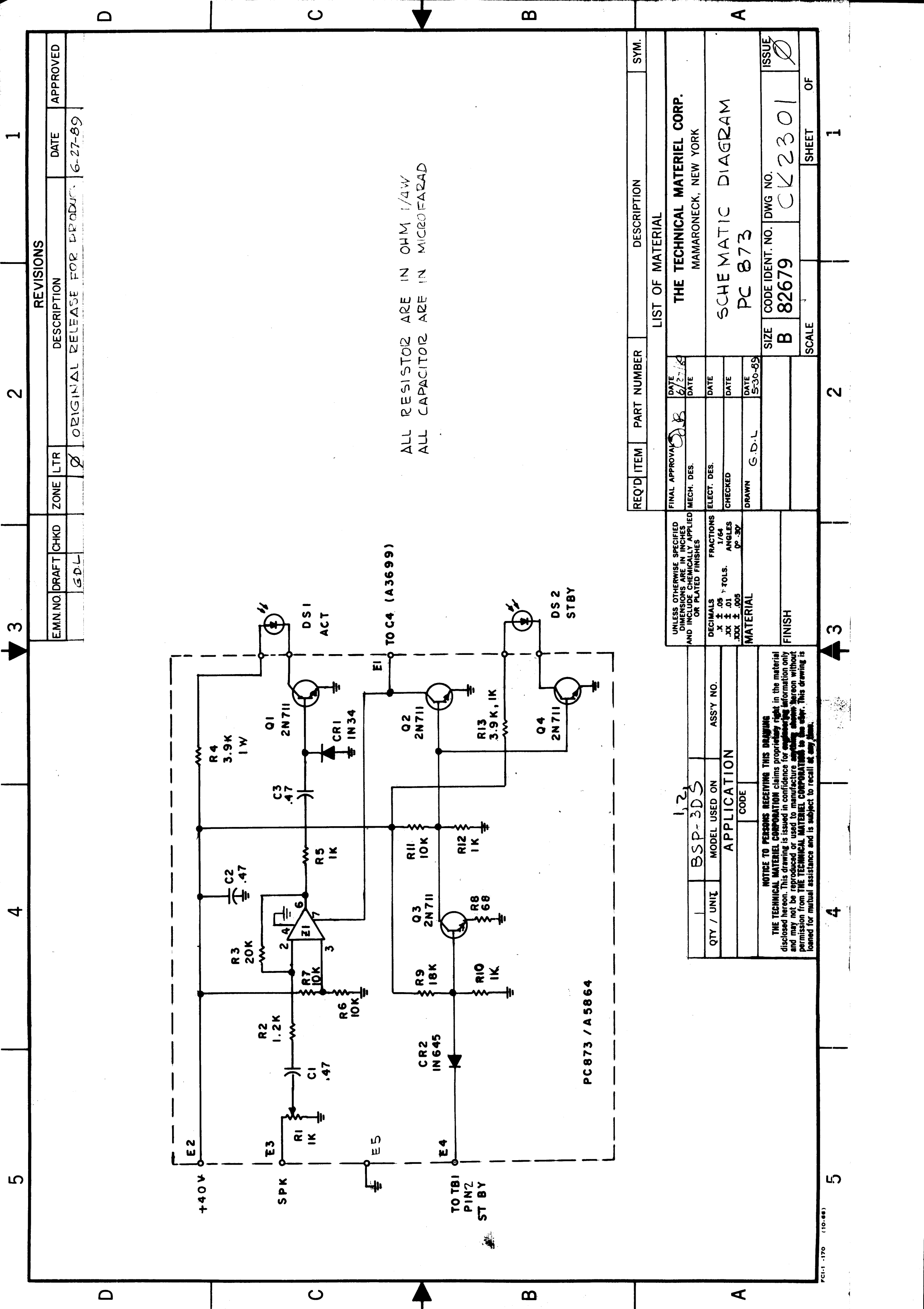
FINAL APPROVAL	DATE
MECH. DES.	DATE
ELECT. DES.	DATE
CHECKED	DATE
DRAWN	DATE
G.D.L.	7-21-88

UNLESS OTHERWISE SPECIFIED DIMENSIONS ARE IN INCHES AND INCLUDE CHEMICALLY APPLIED OR PLATED FINISHES	DECIMALS .X ± .05 .XX ± .01 .XXX ± .005	FRACTIONS 1/64	TOLS. ANGLES 0° .30'
MATERIAL			
FINISH			

1	LF/MF 2x8	MODEL USED ON	ASSY NO.
APPLICATION		CODE	

THE TECHNICAL MATERIEL CORP. MAMARONECK, NEW YORK			
LF/MF 2x8 BLOCK DIAG.			
SIZE	CODE IDENT. NO.	DWG NO.	ISSUE
B	82679	CK 2300	
SCALE	SHEET	OF	

NOTICE TO PERSONS RECEIVING THIS DRAWING
THE TECHNICAL MATERIEL CORPORATION claims proprietary right in the material disclosed hereon. This drawing is issued in confidence for engineering information only and may not be reproduced or used to manufacture anything shown hereon without permission from THE TECHNICAL MATERIEL CORPORATION to the user. This drawing is loaned for mutual assistance and is subject to recall at any time.



REVISIONS

EM.N.O.	DRAFT	CHKD	ZONE	LTR	DESCRIPTION	DATE	APPROVED
					ORIGINAL RELEASE FOR PRODU	6-27-89	

REQ'D	ITEM	PART NUMBER	DESCRIPTION	SYM.
LIST OF MATERIAL				
			THE TECHNICAL MATERIEL CORP.	
			MAMARONECK, NEW YORK	
			SCHEMATIC DIAGRAM	
			PC 873	
			SIZE B	CODE IDENT. NO. CK2301
			SCALE	DWG NO. OF SHEET OF

ALL RESISTOR ARE IN OHM 1/4W
ALL CAPACITOR ARE IN MICROFARAD

FINAL APPROVAL	DATE	MECH. DES.	ELECT. DES.	CHECKED	DATE	DRAWN	DATE
	6/27/89					G.D.L.	5-30-89

UNLESS OTHERWISE SPECIFIED DIMENSIONS ARE IN INCHES AND INCLUDE CHEMICALLY APPLIED OR PLATED FINISHES	FRACTIONS	DECIMALS	TOLS.	ANGLES
	1/64	X ± .05	.XX ± .01	° .30

QTY / UNIT	MODEL USED ON	ASSY NO.
	BSP-3DS	
APPLICATION		
	CODE	

NOTICE TO PERSONS RECEIVING THIS DRAWING
THE TECHNICAL MATERIEL CORPORATION claims proprietary right in the material disclosed herein. This drawing is issued in confidence for engineering information only and may not be reproduced or used to manufacture anything without the written permission from THE TECHNICAL MATERIEL CORPORATION to the other. This drawing is loaned for mutual assistance and is subject to recall at any time.

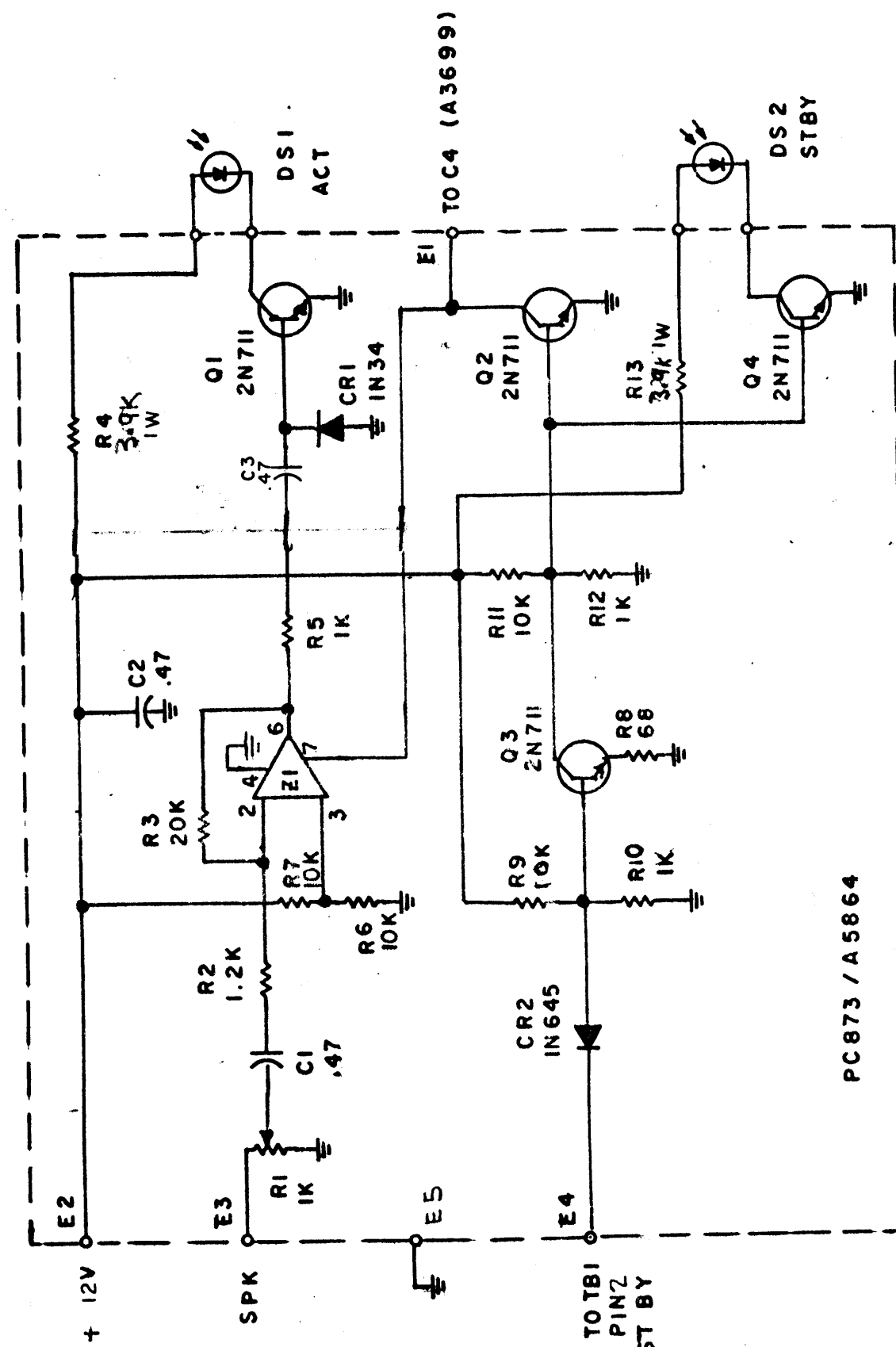
EMN NO	DRAFT	CHKD	ZONE	LTR	DESCRIPTION	DATE	APPROVED
		G.D.L.			ORIGINAL RELEASE FOR PRODU	6-27-69	

REQ'D	ITEM	PART NUMBER	DESCRIPTION	SYM.
LIST OF MATERIAL				
FINAL APPROVAL		DATE	THE TECHNICAL MATERIEL CORP.	
MECH. DES.		DATE	MAMARONECK, NEW YORK	
ELECT. DES.		DATE	SCHEMATIC DIAGRAM	
CHECKED		DATE	PC 873 / A5864 (BSP-1,2,3,5)	
DRAWN		DATE	SIZE	CODE IDENT. NO.
			B	82679
			SCALE	DWG NO.
				CK 305
			SHEET	OF
			1	1

ORIGINAL RELEASE FOR PRODU

NOTE: SEE CK 2322 (2 SIZE)
FOR 12V BSP-7S

ALL RESISTOR ARE IN OHM 1/4W
ALL CAPACITOR ARE IN MICROFARAD

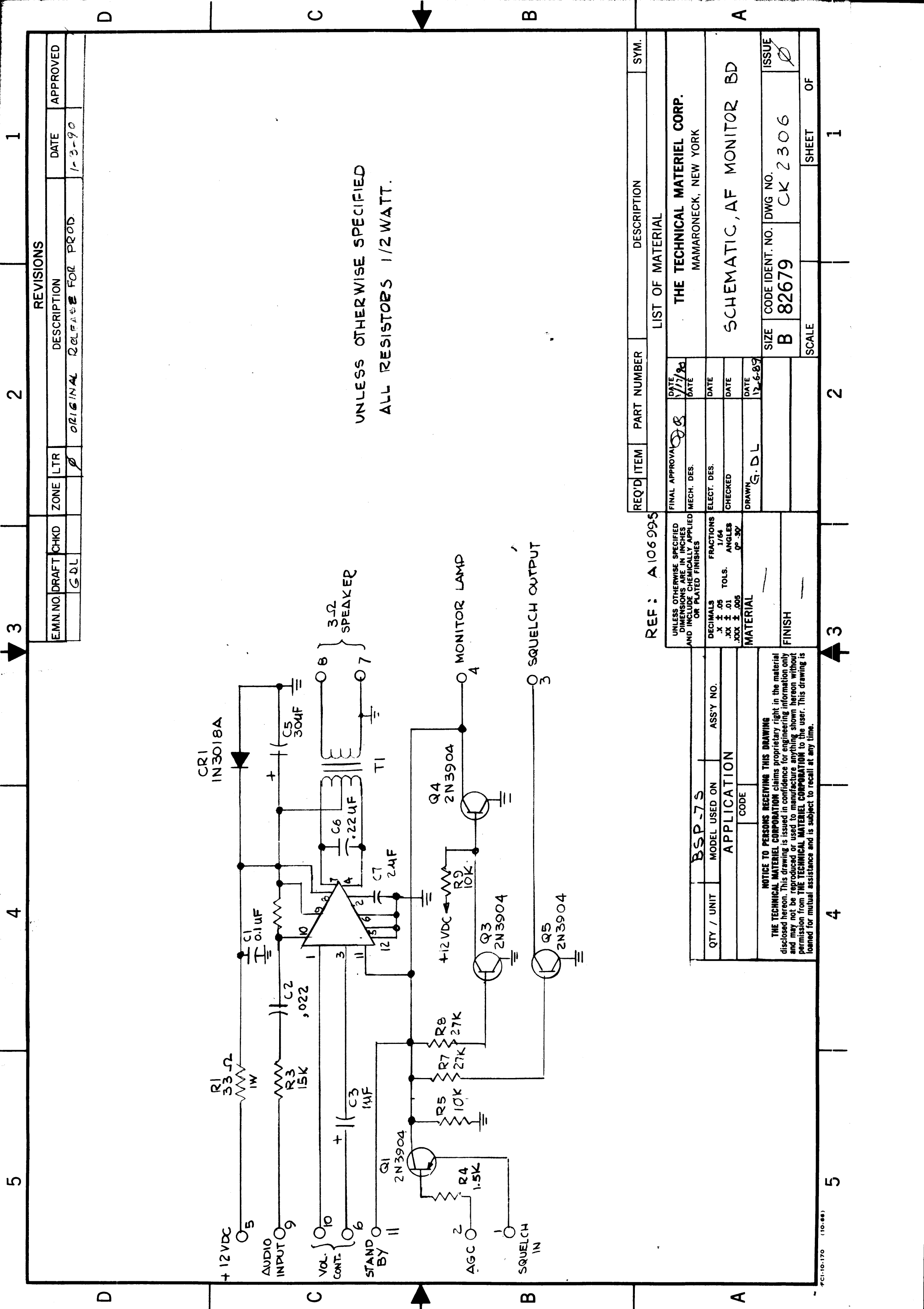


PC 873 / A 5864

QTY / UNIT	MODEL USED ON	ASSY NO.
1	BSP-1,2,3,5	
APPLICATION		
CODE		

NOTICE TO PERSONS RECEIVING THIS DRAWING
THE TECHNICAL MATERIEL CORPORATION claims proprietary right in the material disclosed herein. This drawing is issued in confidence for engineering information only and may not be reproduced or used to manufacture anything shown herein without permission from THE TECHNICAL MATERIEL CORPORATION to the user. This drawing is loaned for actual assistance and is subject to recall at any time.

UNLESS OTHERWISE SPECIFIED DIMENSIONS ARE IN INCHES AND INCLUDE CHEMICALLY APPLIED OR PLATED FINISHES	DECIMALS .X ± .05 .XX ± .01 .XXX ± .005	FRACTIONS 1/64 ANGLES 0°-30'	MATERIAL FINISH
DATE	DATE	DATE	DATE
7/5/90			
1	2	3	4
5	1	1	1



UNLESS OTHERWISE SPECIFIED
ALL RESISTORS 1/2WATT.

REVISIONS

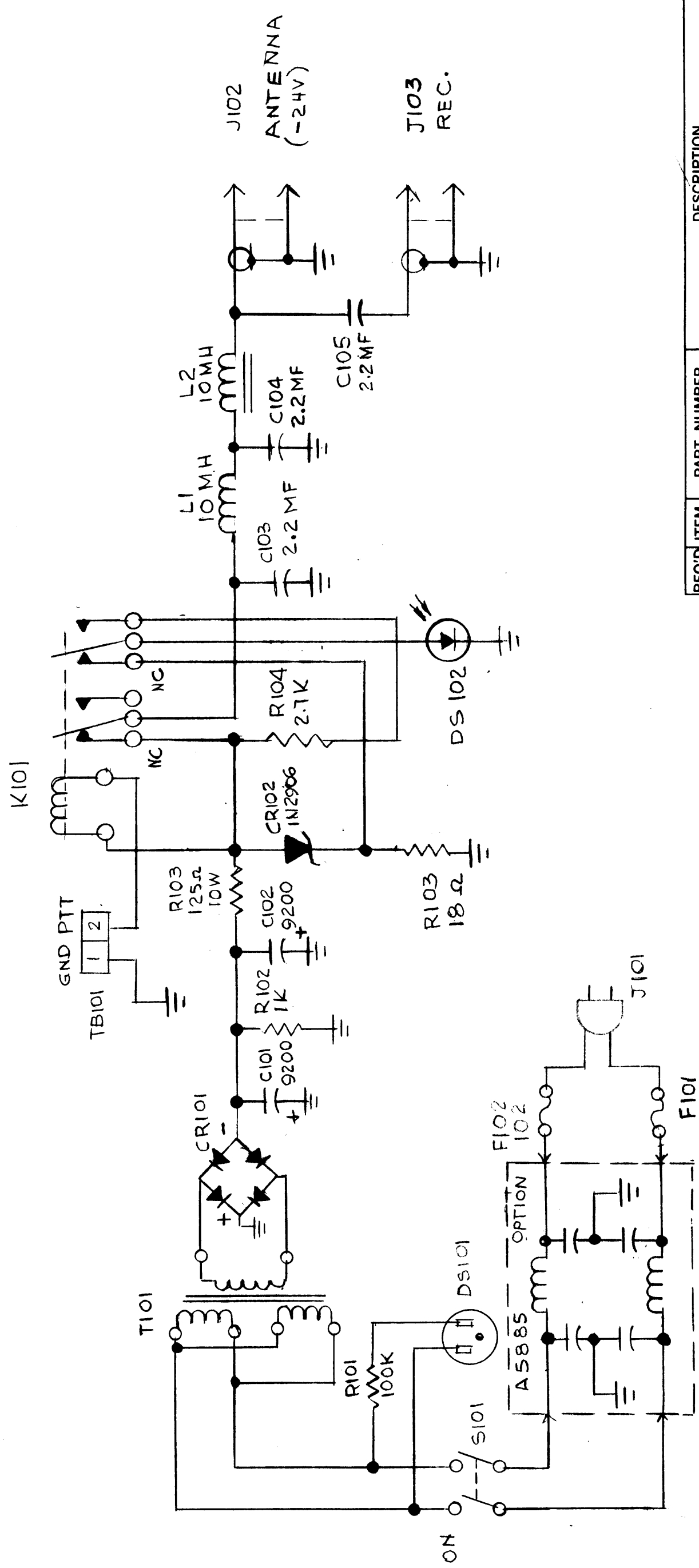
EM.N.O.	DRAFT	CHKD	ZONE	LTR	DESCRIPTION	DATE	APPROVED
	GDL				ORIGINAL RELEASE FOR PROD.	1-3-90	

REQ'D ITEM	PART NUMBER	DESCRIPTION	SYM.
LIST OF MATERIAL			
FINAL APPROVAL	DATE	THE TECHNICAL MATERIEL CORP.	
MECH. DES.	DATE	MAMARONECK, NEW YORK	
ELECT. DES.	DATE		
CHECKED	DATE		
DRAWN	DATE		
G.D.L.	12-6-89		
SIZE	CODE IDENT. NO.	DWG NO.	ISSUE
B	82679	CK 2306	
SCALE		SHEET	OF

REF: A106995

QTY / UNIT	MODEL USED ON	ASSY NO.
	BSP-75	
APPLICATION		
	CODE	
<p>UNLESS OTHERWISE SPECIFIED DIMENSIONS ARE IN INCHES AND INCLUDE CHEMICALLY APPLIED OR PLATED FINISHES</p> <p>DECIMALS FRACTIONS 1/64</p> <p>X ± .05 TOLS. ANGLES</p> <p>.XX ± .01 PER .30</p> <p>.XXX ± .005</p> <p>MATERIAL</p> <p>FINISH</p>		
<p>NOTICE TO PERSONS RECEIVING THIS DRAWING</p> <p>THE TECHNICAL MATERIEL CORPORATION claims proprietary right in the material disclosed hereon. This drawing is issued in confidence for engineering information only and may not be reproduced or used to manufacture anything shown hereon without permission from THE TECHNICAL MATERIEL CORPORATION to the user. This drawing is loaned for mutual assistance and is subject to recall at any time.</p>		

5	4	3	2	1
REVISIONS				
EMN. NO.	DRAFT	CHKD	ZONE	LTR
	G.D.L.			Ø
	G.D.L.			Δ
DESCRIPTION			DATE	APPROVED
ORIGINAL RELEASE			12-3-90	
REVISED & UPDATED			12-10-92	



REQ'D ITEM	PART NUMBER	DESCRIPTION	SYM.
LIST OF MATERIAL			
THE TECHNICAL MATERIEL CORP. MAMARONECK, NEW YORK			
SCHEMATIC DIAGRAM			
POWER SUPPLY (HF/VLF)			
SIZE	CODE IDENT. NO.	DWG NO.	ISSUE
B	82679	CK 2309	A
SCALE	SHEET	OF	
	2	1	

UNLESS OTHERWISE SPECIFIED DIMENSIONS ARE IN INCHES AND INCLUDE CHEMICALLY APPLIED OR PLATED FINISHES

DECIMALS: .X ± .05
.XX ± .01
.XXX ± .005

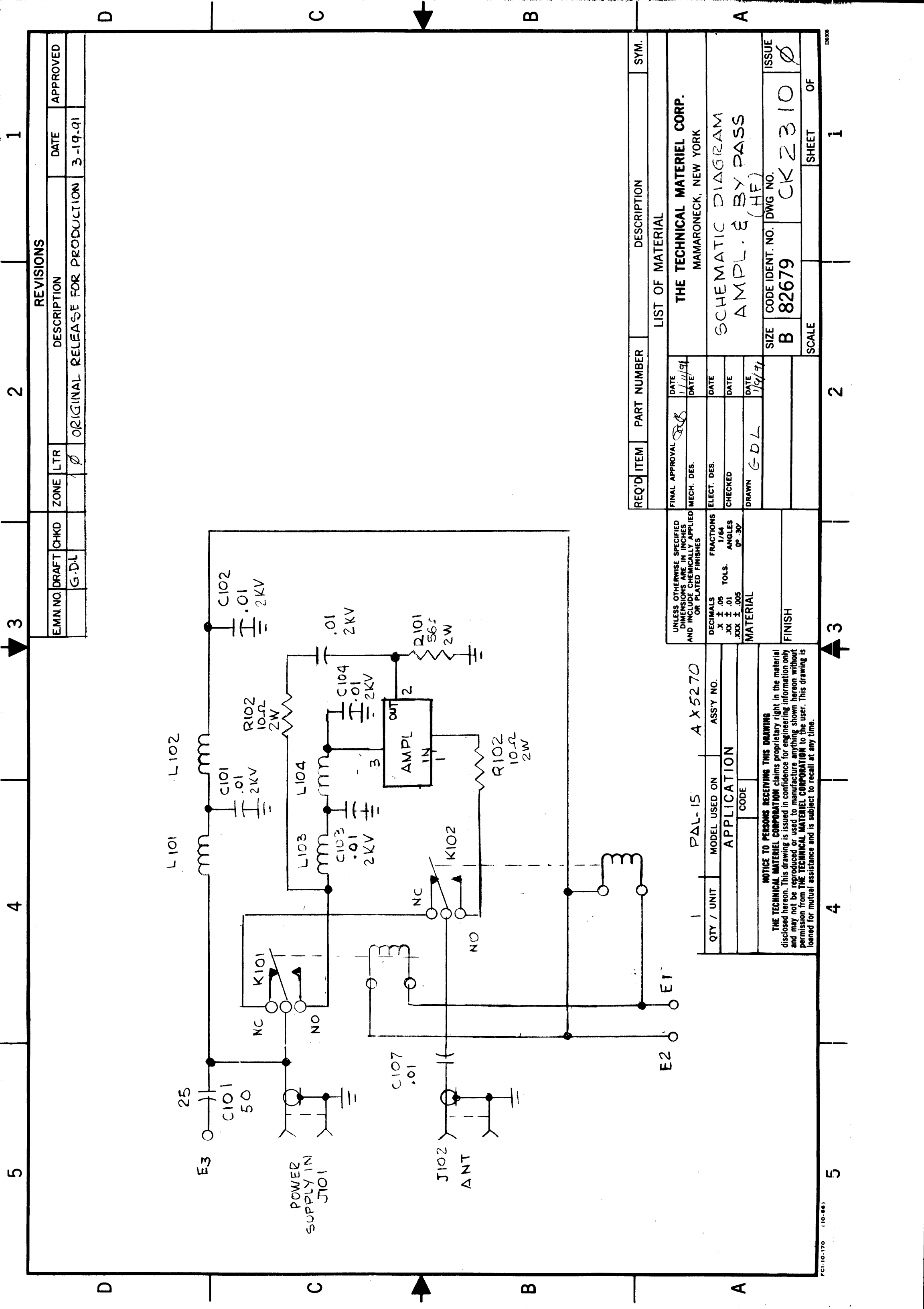
FRACTIONS: 1/64
TOLS. ANGLES: 0°-30'

MATERIAL FINISH

QTY / UNIT	AVA-3 AVA-2	PSP-11
MODEL USED ON	ASSY NO.	
APPLICATION		
CODE		

NOTICE TO PERSONS RECEIVING THIS DRAWING

THE TECHNICAL MATERIEL CORPORATION claims proprietary right in the material disclosed hereon. This drawing is issued in confidence for engineering information only and may not be reproduced or used to manufacture anything shown hereon without permission from THE TECHNICAL MATERIEL CORPORATION to the user. This drawing is loaned for mutual assistance and is subject to recall at any time.



EMN NO	DRAFT	CHKD	ZONE	LTR	DESCRIPTION	DATE	APPROVED
	G.D.L				ORIGINAL RELEASE FOR PRODUCTION	3-19-91	

REVISIONS	
NO	DESCRIPTION
1	ORIGINAL RELEASE FOR PRODUCTION

REQ'D	ITEM	PART NUMBER	DESCRIPTION	SYM.
LIST OF MATERIAL				
THE TECHNICAL MATERIEL CORP.				
MAMARONECK, NEW YORK				
SCHEMATIC DIAGRAM				
AMPL. & BY PASS (HF)				
SIZE	CODE IDENT. NO.	DWG NO.	ISSUE	
B	82679	CK 2310	Ø	
SCALE	SHEET		OF	
	2		1	

UNLESS OTHERWISE SPECIFIED DIMENSIONS ARE IN INCHES AND INCLUDE CHEMICALLY APPLIED OR PLATED FINISHES	FRACTIONS	DECIMALS	TOLS.	ANGLES
	1/64	X ± .05	.XX ± .01	0° .30'
MATERIAL				
FINISH				

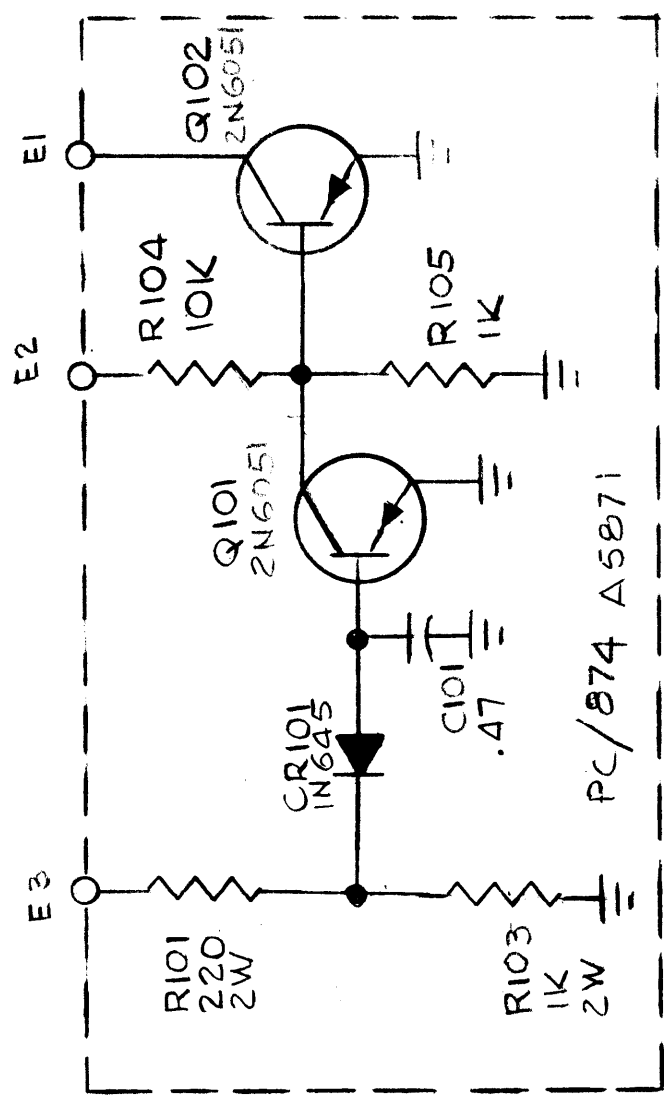
QTY / UNIT	MODEL USED ON	ASSY NO.
1	PAL-15	A X 5270
APPLICATION		
CODE		

NOTICE TO PERSONS RECEIVING THIS DRAWING
 THE TECHNICAL MATERIEL CORPORATION claims proprietary right in the material disclosed hereon. This drawing is issued in confidence for engineering information only and may not be reproduced or used to manufacture anything shown hereon without permission from THE TECHNICAL MATERIEL CORPORATION to the user. This drawing is loaned for mutual assistance and is subject to recall at any time.

5 4 3 2 1

REVISIONS				
E.M.N. NO.	DRAFT	CHKD	ZONE	LTR
	G.D.L.			Ø

DESCRIPTION	DATE	APPROVED
ORIGINAL RELEASE FOR PRODUCTION	3-19-91	<i>Q.B.</i>



REF: PC 874/A 5871

REQ'D ITEM	PART NUMBER	DESCRIPTION	SYM.
LIST OF MATERIAL			
THE TECHNICAL MATERIEL CORP. MAMARONECK, NEW YORK			
SCHEMATIC DIAGRAM BY PASS CONTROL (HF)			
SIZE	CODE IDENT. NO.	DWG NO.	ISSUE
B	82679	CK 2311	Ø
SCALE	SHEET		OF
	1		1

FINAL APPROVAL	DATE	MECH. DES.	DATE	ELECT. DES.	DATE	CHECKED	DATE	DRAWN	DATE
<i>Q.B.</i>	3/3/91							GDL	3/3/91

UNLESS OTHERWISE SPECIFIED DIMENSIONS ARE IN INCHES AND INCLUDE CHEMICALLY APPLIED OR PLATED FINISHES	FRACTIONS 1/64
DECIMALS .X ± .05	TOLS. ANGLES 0° .30'
.XX ± .01	
.XXX ± .005	
MATERIAL	
FINISH	

QTY / UNIT	FAL-15	AX 5271
MODEL USED ON	APPLICATION	
CODE		

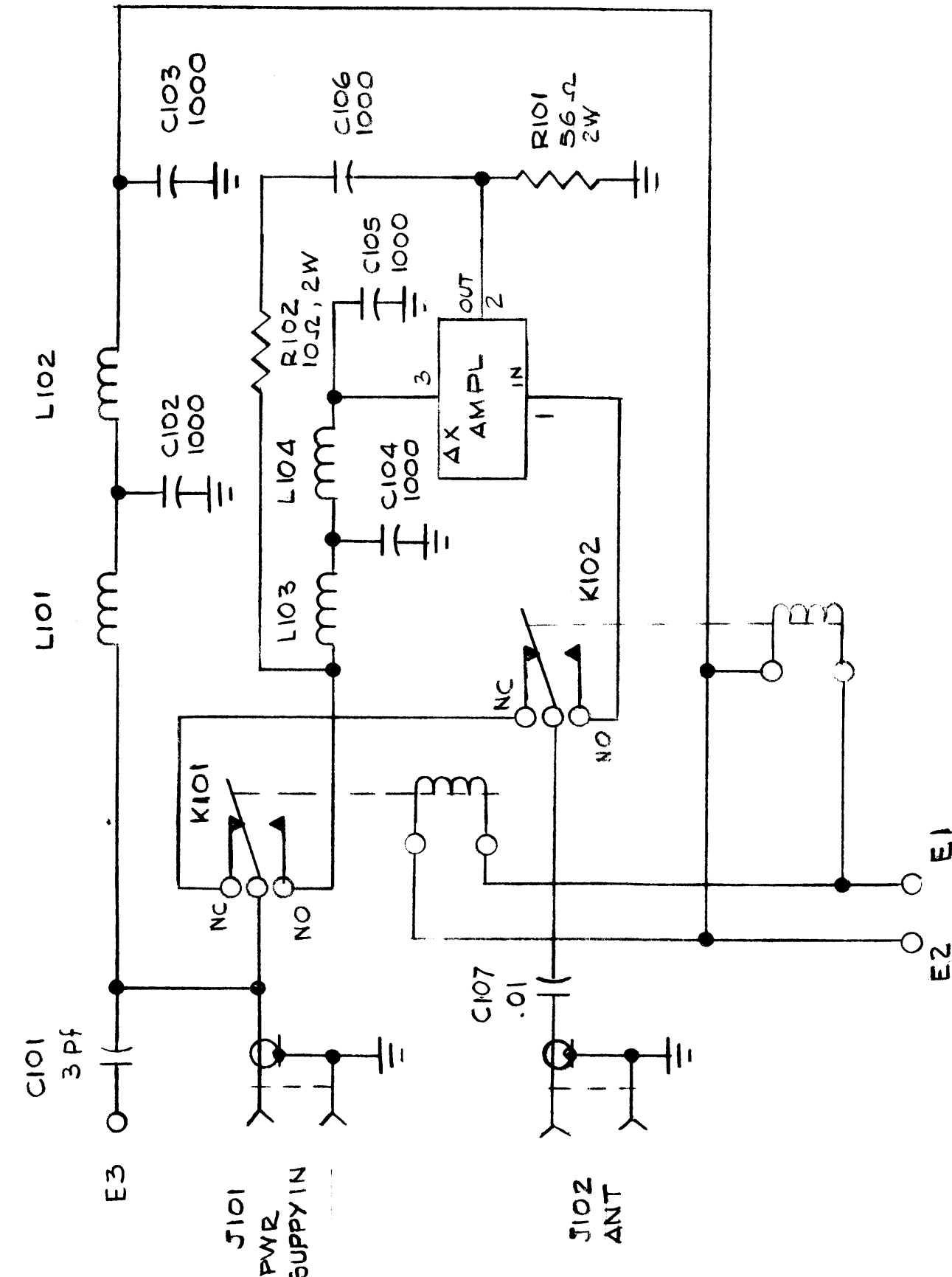
NOTICE TO PERSONS RECEIVING THIS DRAWING
THE TECHNICAL MATERIEL CORPORATION claims proprietary right in the material disclosed hereon. This drawing is issued in confidence for engineering information only and may not be reproduced or used to manufacture anything shown hereon without permission from THE TECHNICAL MATERIEL CORPORATION to the user. This drawing is loaned for mutual assistance and is subject to recall at any time.

10000

PC1-10-170 (10-88)

EMN NO. DRAFT		CHKD	ZONE	LTR	DESCRIPTION	DATE	APPROVED
		G.D.L.		Ø	ORIGINAL RELEASE FOR PRODUCTION	B-19-91	

REVISIONS	
DESCRIPTION	DATE
ORIGINAL RELEASE FOR PRODUCTION	B-19-91



REQ'D ITEM	PART NUMBER	DESCRIPTION	SYM.
LIST OF MATERIAL			
THE TECHNICAL MATERIEL CORP. MAMARONECK, NEW YORK			
SCHEMATIC DIAGRAM AMPL. & BYPASS (UHF)			
FINAL APPROVAL	DATE	DATE	ISSUE
	3/1/91		Ø
MECH. DES.	DATE	DATE	
ELECT. DES.	DATE	DATE	
CHECKED	DATE	DATE	
DRAWN	G.D.L.	1-24-91	
SIZE	CODE IDENT. NO.	DWG NO.	ISSUE
B	82679	CK 2313	Ø
SCALE	SHEET	OF	

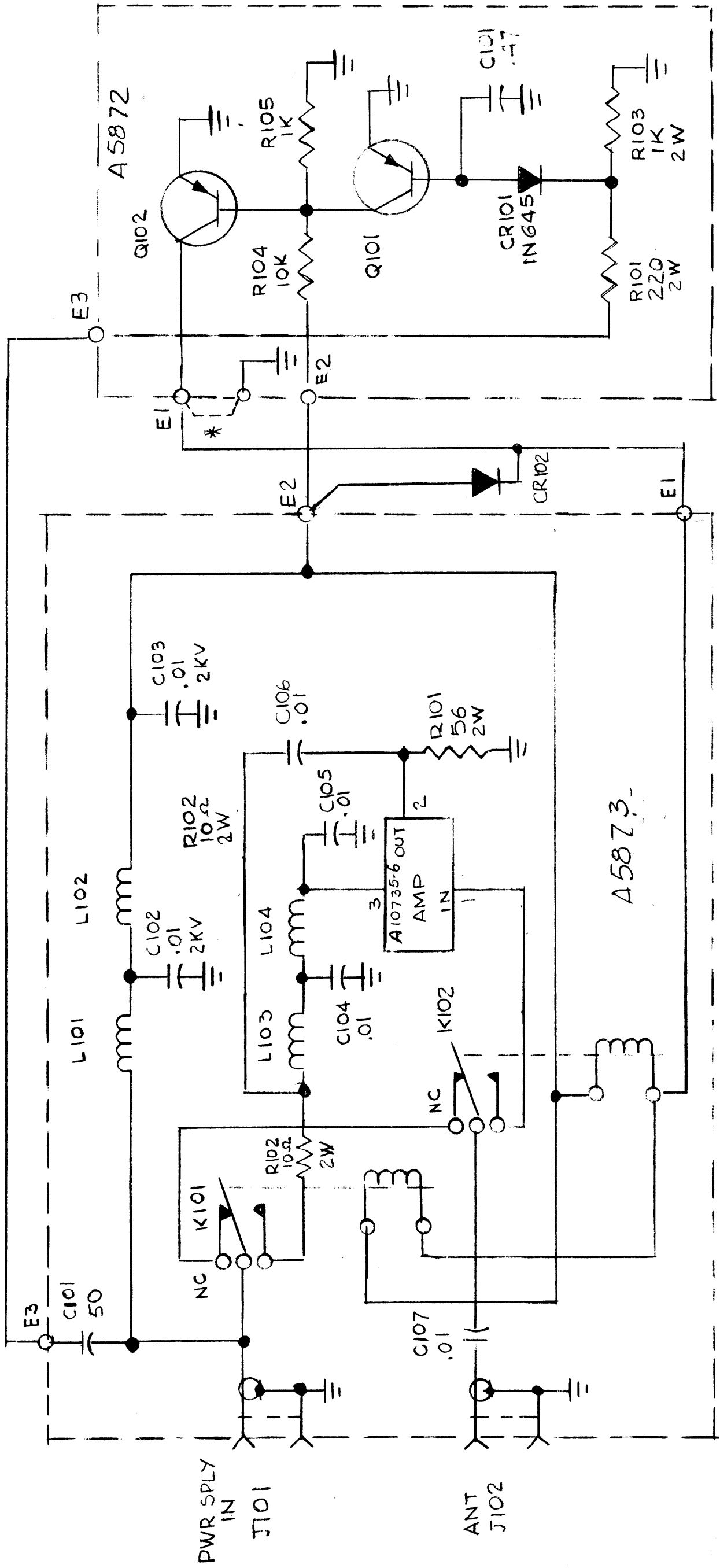
UNLESS OTHERWISE SPECIFIED DIMENSIONS ARE IN INCHES AND INCLUDE CHEMICALLY APPLIED OR PLATED FINISHES		FRACTIONS	
DECIMALS	X ± .05	1/64	
	.XX ± .01	ANGLES	
	.XXX ± .005	0° .30'	
MATERIAL			
FINISH			

QTY / UNIT	MODEL USED ON	ASSY NO.
1	PAL-16	AX 5267
APPLICATION		
CODE		

NOTICE TO PERSONS RECEIVING THIS DRAWING
THE TECHNICAL MATERIEL CORPORATION claims proprietary right in the material disclosed hereon. This drawing is issued in confidence for engineering information only and may not be reproduced or used to manufacture anything shown hereon without permission from THE TECHNICAL MATERIEL CORPORATION to the user. This drawing is loaned for mutual assistance and is subject to recall at any time.

5 4 3 2 1

REVISIONS			
E/M/N NO	DRAFT	CHKD	ZONE
	GDL		Ø
DESCRIPTION			DATE
ORIGINAL RELEASE FOR PRODUCT.			3-19-91
			APPROVED
			<i>QB</i>



* ADD JUMPER TO GND FOR PTT OPER. ONLY

REQ'D ITEM	PART NUMBER	DESCRIPTION	SYM.
LIST OF MATERIAL			
THE TECHNICAL MATERIEL CORP. MAMARONECK, NEW YORK			
INTERCONNECT DIAGRAM (HF)			
FINAL APPROVAL	DATE	DATE	DATE
<i>QB</i>	3/1/91		
MECH. DES.	DATE	DATE	DATE
ELECT. DES.	DATE	DATE	DATE
CHECKED	DATE	DATE	DATE
DRAWN	DATE	DATE	DATE
G.D.L.	1-4-91		
SIZE	CODE IDENT. NO.	DWG NO.	ISSUE
B	82679	CK 2312	Ø
SCALE	SHEET	OF	
	1	1	

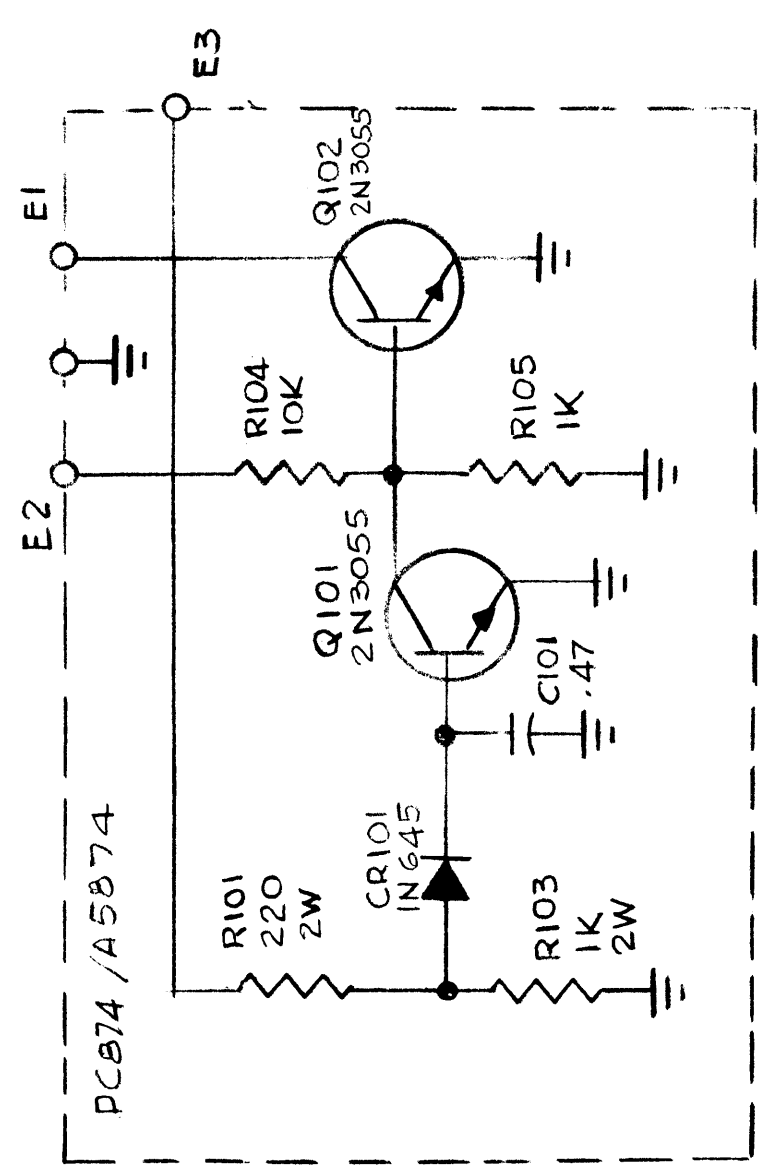
UNLESS OTHERWISE SPECIFIED DIMENSIONS ARE IN INCHES AND INCLUDE CHEMICALLY APPLIED OR PLATED FINISHES	DECIMALS	FRACTIONS
.X ± .05	.XX ± .01	1/64
.XXX ± .005		0°-30°
MATERIAL		
FINISH		

QTY / UNIT	MODEL USED ON	ASSY NO.
	PAL-15	
APPLICATION		
CODE		
NOTICE TO PERSONS RECEIVING THIS DRAWING		
THE TECHNICAL MATERIEL CORPORATION claims proprietary right in the material disclosed hereon. This drawing is issued in confidence for engineering information only and may not be reproduced or used to manufacture anything shown hereon without permission from THE TECHNICAL MATERIEL CORPORATION to the user. This drawing is loaned for mutual assistance and is subject to recall at any time.		

PCI-10-170 (10-66) 4 3 2 1

EM.N. NO. DRAFT		CHKD	ZONE	LTR	DESCRIPTION	DATE	APPROVED
		G.D.L.		Ø	ORIGINAL RELEASE FOR PRODUCTION	3-19-91	<i>[Signature]</i>

REVISIONS	
NO.	DESCRIPTION
1	ORIGINAL RELEASE FOR PRODUCTION



REQ'D ITEM	PART NUMBER	DESCRIPTION	SYM.
LIST OF MATERIAL			
THE TECHNICAL MATERIEL CORP. MAMARONECK, NEW YORK			
SCHEMATIC DIAG.			
BY PASS CONTROL (UHF)			
SIZE	CODE IDENT. NO.	DWG NO.	ISSUE
B	82679	CK2314	Ø
SCALE	SHEET		OF
	2		1

UNLESS OTHERWISE SPECIFIED DIMENSIONS ARE IN INCHES AND INCLUDE CHEMICALLY APPLIED OR PLATED FINISHES		FRACTIONS 1/64	
DECIMALS	TOLS.	ANGLES	FINISH
.X ± .05	.01	Ø .30'	
.XX ± .01			
.XXX ± .005			
MATERIAL			
FINISH			

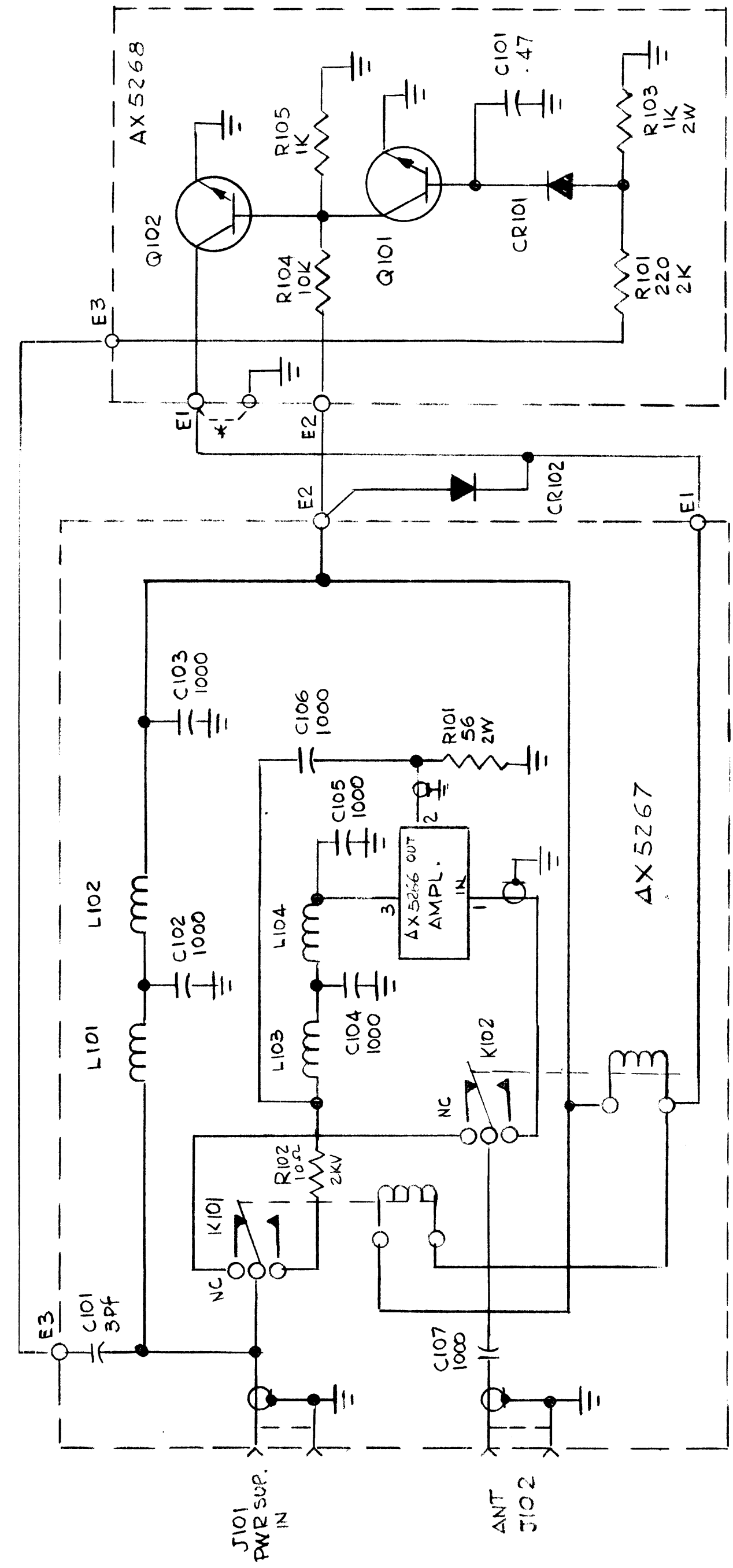
REF: CK 2314

QTY / UNIT	PAL-16	MODEL USED ON	AX 5268
APPLICATION		ASSY NO.	
CODE			

NOTICE TO PERSONS RECEIVING THIS DRAWING
THE TECHNICAL MATERIEL CORPORATION claims proprietary right in the material disclosed hereon. This drawing is issued in confidence for engineering information only and may not be reproduced or used to manufacture anything shown hereon without permission from THE TECHNICAL MATERIEL CORPORATION to the user. This drawing is loaned for mutual assistance and is subject to recall at any time.

1 2 3 4 5

REVISIONS		DESCRIPTION		DATE	APPROVED
EMN. NO.	DRAFT	CHKD	ZONE	LTR	
	GDL				
ORIGINAL RELEASE FOR PRODUCTION					3-19-91



* ADD JUMPER TO GND FOR PTT OPER. ONLY

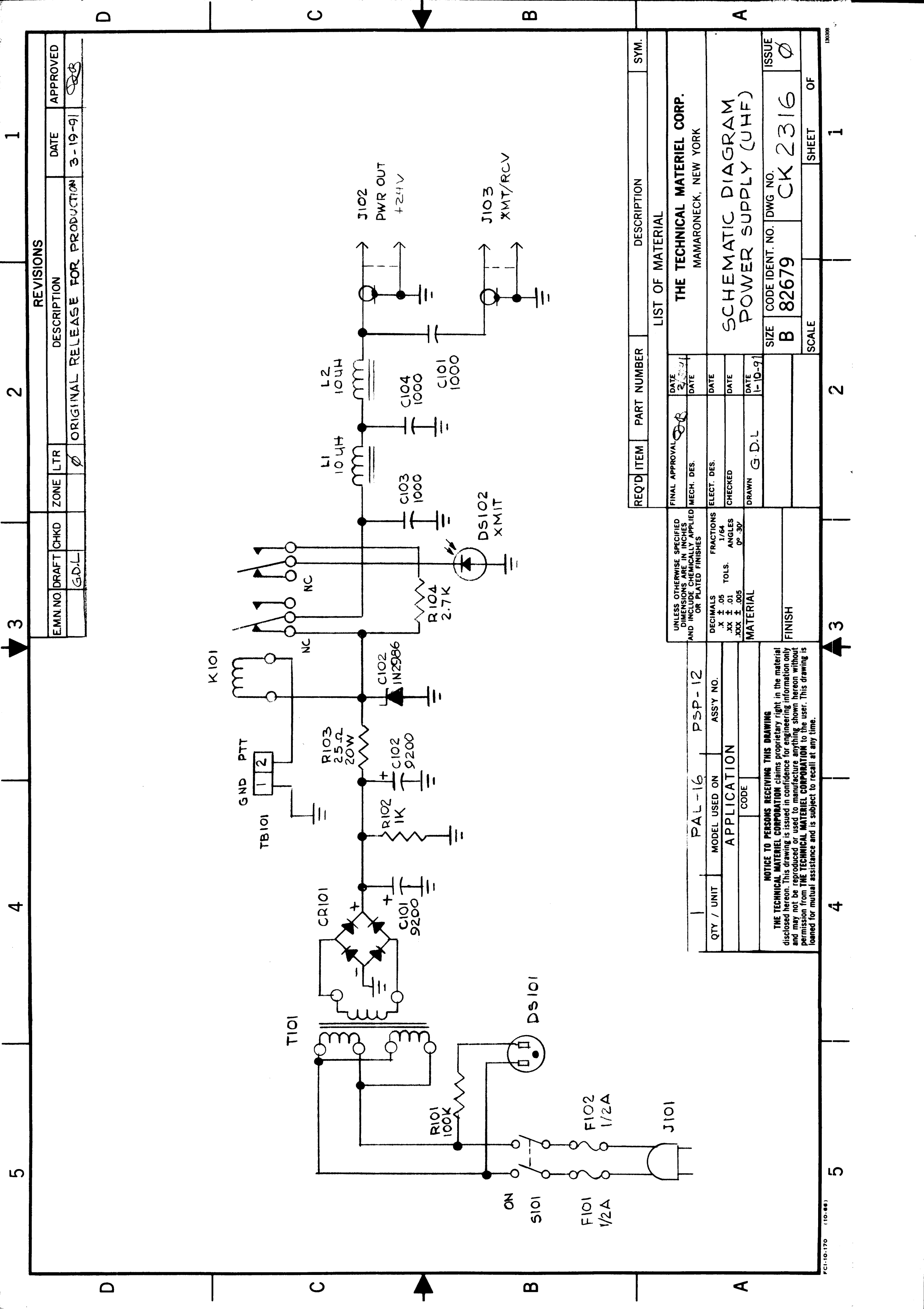
REQ'D ITEM	PART NUMBER	DESCRIPTION	SYM.
LIST OF MATERIAL			
THE TECHNICAL MATERIEL CORP. MAMARONECK, NEW YORK			
INTERCONNECT DIAG. (UHF)			
SIZE	CODE IDENT. NO.	DWG NO.	ISSUE
B	82679	CK2315	0
SCALE			SHEET OF
			1

FINAL APPROVAL	DATE	MECH. DES.	ELECT. DES.	CHECKED	DATE	DRAWN	DATE
GDL					1-24-91		

UNLESS OTHERWISE SPECIFIED DIMENSIONS ARE IN INCHES AND INCLUDE CHEMICALLY APPLIED OR PLATED FINISHES	FRACTIONS	1/64
DECIMALS	TOLS.	0.005
ANGLES		30°
MATERIAL		
FINISH		

QTY / UNIT	MODEL USED ON	ASSY NO.
1	PAL-16	AX 5268
APPLICATION		
CODE		

NOTICE TO PERSONS RECEIVING THIS DRAWING
THE TECHNICAL MATERIEL CORPORATION claims proprietary right in the material disclosed herein. This drawing is issued in confidence for engineering information only and may not be reproduced or used to manufacture anything shown hereon without permission from THE TECHNICAL MATERIEL CORPORATION to the user. This drawing is loaned for mutual assistance and is subject to recall at any time.



REVISIONS			
EMN NO	DRAFT	CHKD	ZONE
		G.D.L.	

DESCRIPTION	DATE	APPROVED
ORIGINAL RELEASE FOR PRODUCTION	3-19-91	[Signature]

REQ'D ITEM	PART NUMBER	DESCRIPTION	SYM.
LIST OF MATERIAL			
THE TECHNICAL MATERIEL CORP. MAMARONECK, NEW YORK			
SCHEMATIC DIAGRAM POWER SUPPLY (UHF)			
FINAL APPROVAL	DATE	DATE	DATE
MECH. DES.			
ELECT. DES.			
CHECKED			
DRAWN	G.D.L.		1-10-91
SIZE	B	CODE IDENT. NO.	CK 2316
SCALE		DWG NO.	
SHEET	1	OF	

QTY / UNIT	MODEL USED ON	ASSY NO.
	PAL-16	PSP-12
APPLICATION		
	CODE	

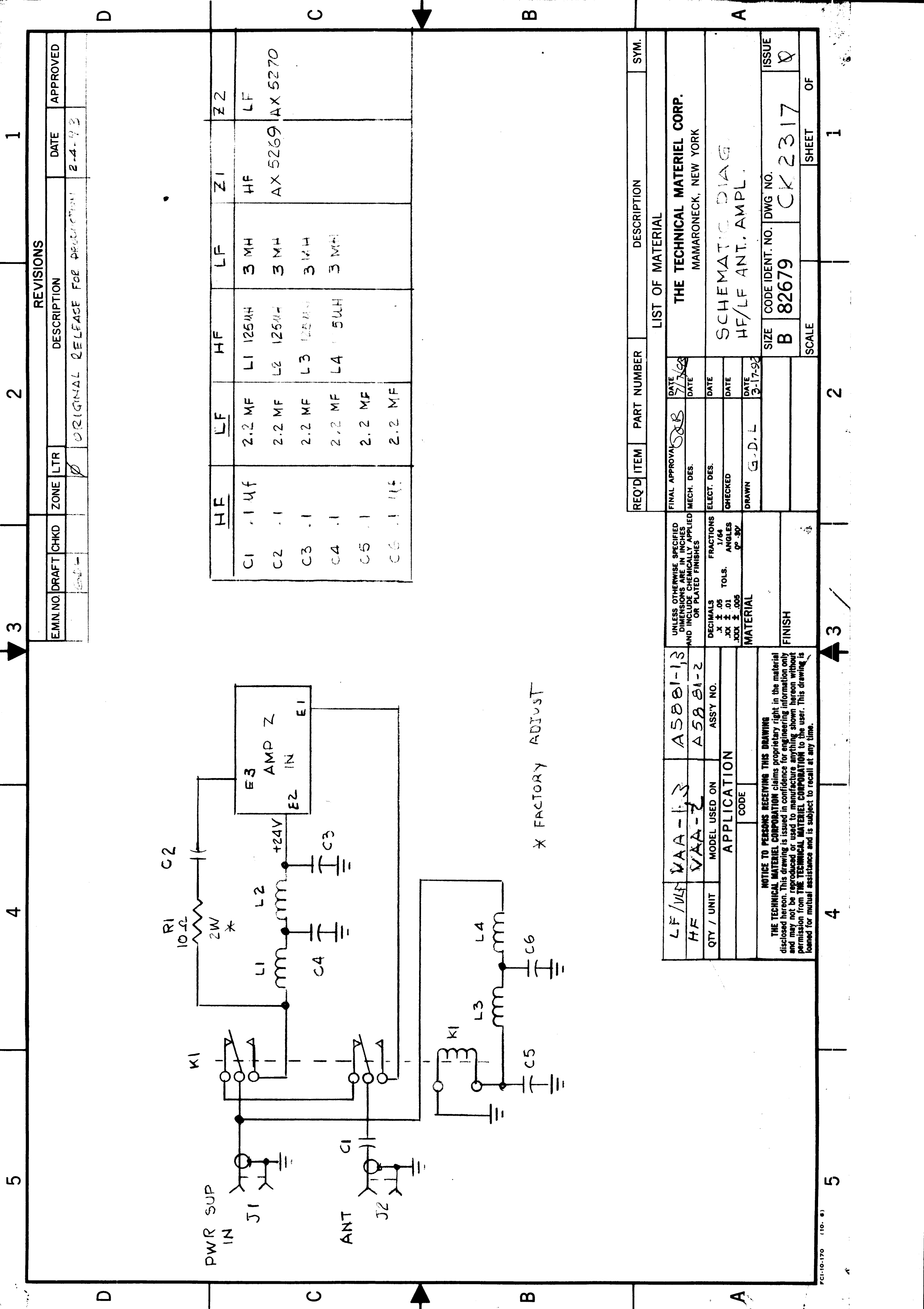
UNLESS OTHERWISE SPECIFIED DIMENSIONS ARE IN INCHES AND INCLUDE CHEMICALLY APPLIED OR PLATED FINISHES

DECIMALS: .X ± .05
.XX ± .01
.XXX ± .005

FRACTIONS: 1/64
ANGLES: 0° .30'

MATERIAL: FINISH

NOTICE TO PERSONS RECEIVING THIS DRAWING
THE TECHNICAL MATERIEL CORPORATION claims proprietary right in the material disclosed hereon. This drawing is issued in confidence for engineering information only and may not be reproduced or used to manufacture anything shown hereon without permission from THE TECHNICAL MATERIEL CORPORATION to the user. This drawing is loaned for mutual assistance and is subject to recall at any time.



EM.N.O.	DRAFT	CHKD	ZONE	LTR	DESCRIPTION	DATE	APPROVED
					ORIGINAL RELEASE FOR PRODUCTION	2-4-73	

REVISIONS	DESCRIPTION	DATE	APPROVED
	ORIGINAL RELEASE FOR PRODUCTION	2-4-73	

HF	LF	HF	LF	Z1	Z2
C1 .1 uF	2.2 MF	L1 125uH	3 MH	HF	LF
C2 .1	2.2 MF	L2 125uH	3 MH	AX 5269	AX 5270
C3 .1	2.2 MF	L3 125uH	3 MH		
C4 .1	2.2 MF	L4 5uH	3 MH		
C5 .1	2.2 MF				
C6 .1 uF	2.2 MF				

REQ'D ITEM	PART NUMBER	DESCRIPTION	SYM.
LIST OF MATERIAL			
THE TECHNICAL MATERIEL CORP. MAMARONECK, NEW YORK			
SCHEMATIC DIAG. HF/LF ANT. AMPL.			
SIZE	CODE IDENT. NO.	DWG NO.	ISSUE
B	82679	CK 2317	Q
SCALE		SHEET	OF
		1	1

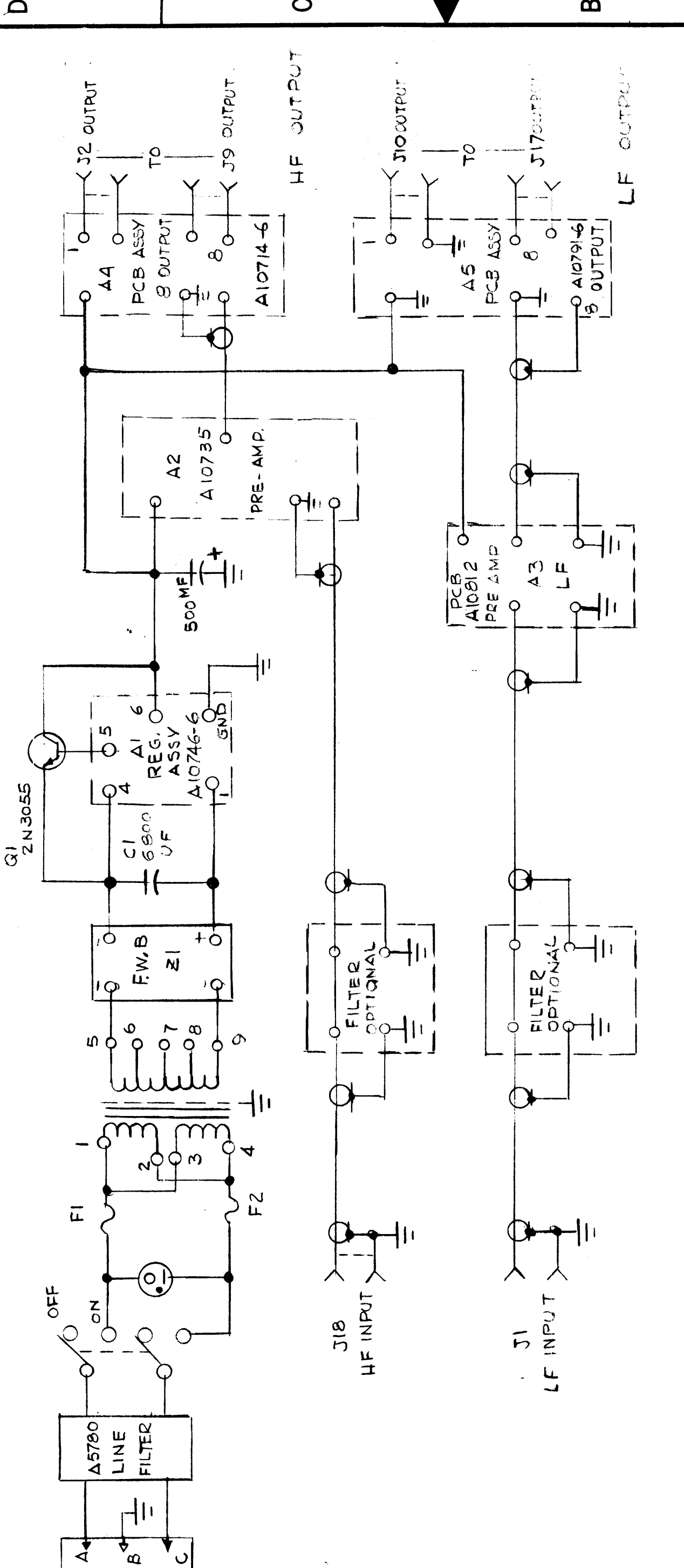
FINAL APPROVAL	DATE	MECH. DES.	DATE	ELECT. DES.	DATE	CHECKED	DATE	DRAWN	DATE
S.B.	7/7/68							G.D.L.	3-17-93

UNLESS OTHERWISE SPECIFIED DIMENSIONS ARE IN INCHES AND INCLUDE CHEMICALLY APPLIED OR PLATED FINISHES	FRACTIONS	TOLS.	ANGLES
DECIMALS	1/64		
.X ± .05			
.XX ± .01			
.XXX ± .005			

LF/ULF	VAA-1-3	A5881-1-3
HF	VAA-2	A5881-2
QTY / UNIT	MODEL USED ON	ASSY NO.
	APPLICATION	
	CODE	
NOTICE TO PERSONS RECEIVING THIS DRAWING THE TECHNICAL MATERIEL CORPORATION claims proprietary right in the material disclosed herein. This drawing is issued in confidence for engineering information only and may not be reproduced or used to manufacture anything shown herein without permission from THE TECHNICAL MATERIEL CORPORATION to the user. This drawing is loaned for mutual assistance and is subject to recall at any time.		

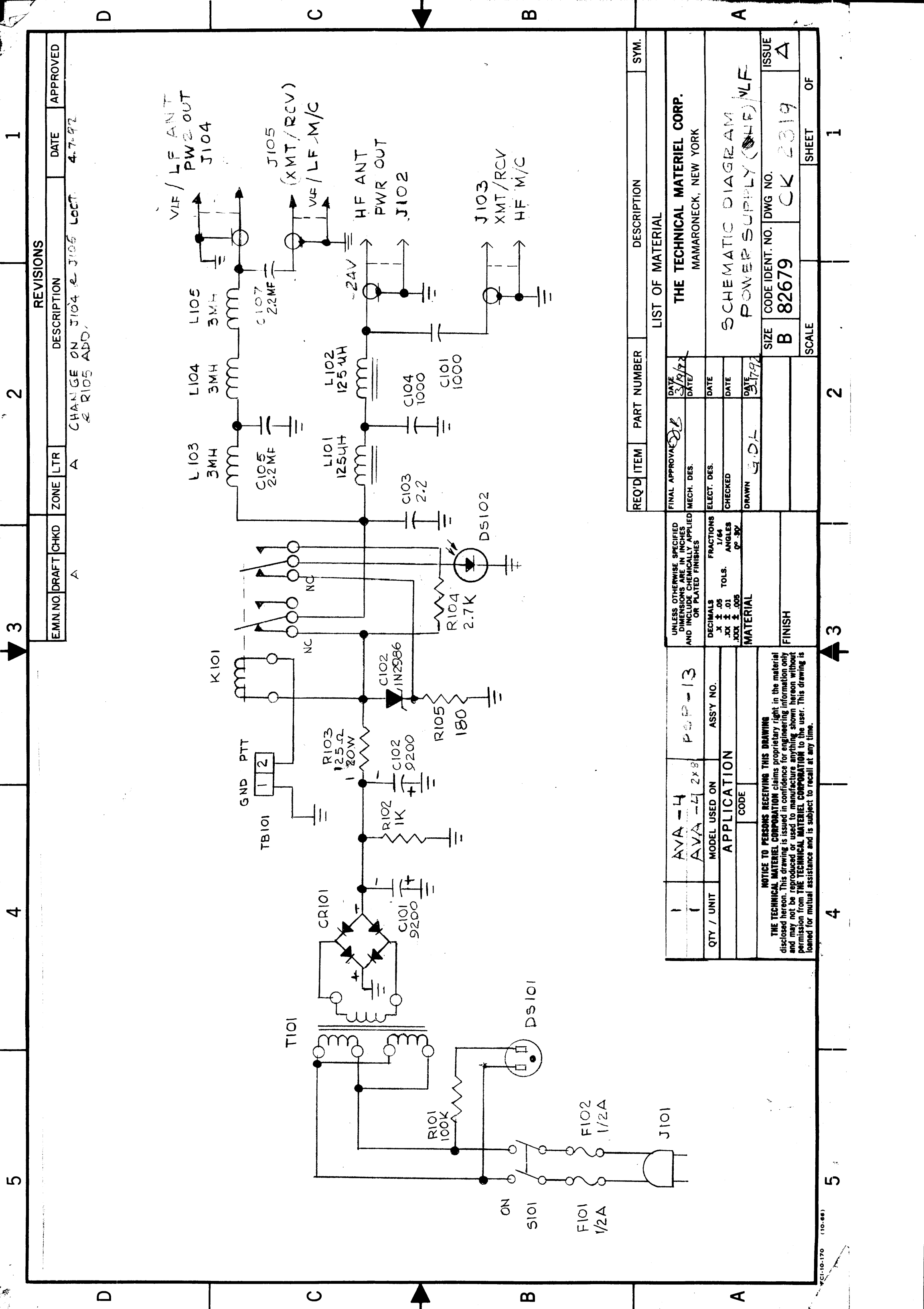
5 4 3 2 1

E.M.N. NO		DRAFT	CHKD	ZONE	LTR	REVISIONS	
DESCRIPTION		DATE	APPROVED				



REQ'D	ITEM	PART NUMBER	DESCRIPTION	SYM.
LIST OF MATERIAL				
FINAL APPROVAL		DATE	THE TECHNICAL MATERIEL CORP.	
MECH. DES.		DATE	MAMARONECK, NEW YORK	
ELECT. DES.		DATE	SCHEMATIC DIAG.	
CHECKED		DATE	LF/HF DMC 2x8	
DRAWN		DATE	SIZE	DWG NO.
G.S.L.		3/11/92	B	82679
UNLESS OTHERWISE SPECIFIED DIMENSIONS ARE IN INCHES AND INCLUDE CHEMICALLY APPLIED OR PLATED FINISHES		CODE IDENT. NO. CK 2318		
DECIMALS		SCALE		
.X ± .05		OF		
.XX ± .01		SHEET		
.XXX ± .005		1		
ANGLES		2		
0° .30'		3		
MATERIAL		4		
FINISH		5		
QTY / UNIT		10-65		
MODEL USED ON		AVA-4 2x8		
APPLICATION		APPLICATION		
CODE		ASSY NO.		
<p>NOTICE TO PERSONS RECEIVING THIS DRAWING</p> <p>THE TECHNICAL MATERIEL CORPORATION claims proprietary right in the material disclosed hereon. This drawing is issued in confidence for engineering information only and may not be reproduced or used to manufacture anything shown hereon without permission from THE TECHNICAL MATERIEL CORPORATION to the user. This drawing is loaned for mutual assistance and is subject to recall at any time.</p>				

10-65



EM.N.O.	DRAFT	CHKD	ZONE	LTR	DESCRIPTION	DATE	APPROVED
A			A		CHANGE ON J104 & J105 LOC. & R105 ADD.	4-7-92	

REQ'D ITEM	PART NUMBER	DESCRIPTION	SYM.
LIST OF MATERIAL			
1	AVA-4	POP-13	
1	AVA-4 2x8		
QTY / UNIT	MODEL USED ON	ASSY NO.	
	APPLICATION		
	CODE		
<p>NOTICE TO PERSONS RECEIVING THIS DRAWING</p> <p>THE TECHNICAL MATERIEL CORPORATION claims proprietary right in the material disclosed hereon. This drawing is issued in confidence for engineering information only and may not be reproduced or used to manufacture anything shown hereon without permission from THE TECHNICAL MATERIEL CORPORATION to the user. This drawing is loaned for mutual assistance and is subject to recall at any time.</p>			

FINAL APPROVAL	DATE	MECH. DES.	DATE	ELECT. DES.	DATE	CHECKED	DATE	DRAWN	DATE
DB	3/19/92							GDL	3/17/92

UNLESS OTHERWISE SPECIFIED DIMENSIONS ARE IN INCHES AND INCLUDE CHEMICALLY APPLIED OR PLATED FINISHES	DECIMALS	FRACTIONS
X ± .05	1/64	
.XX ± .01	ANGLES	
.XXX ± .005	°	.30
MATERIAL		
FINISH		

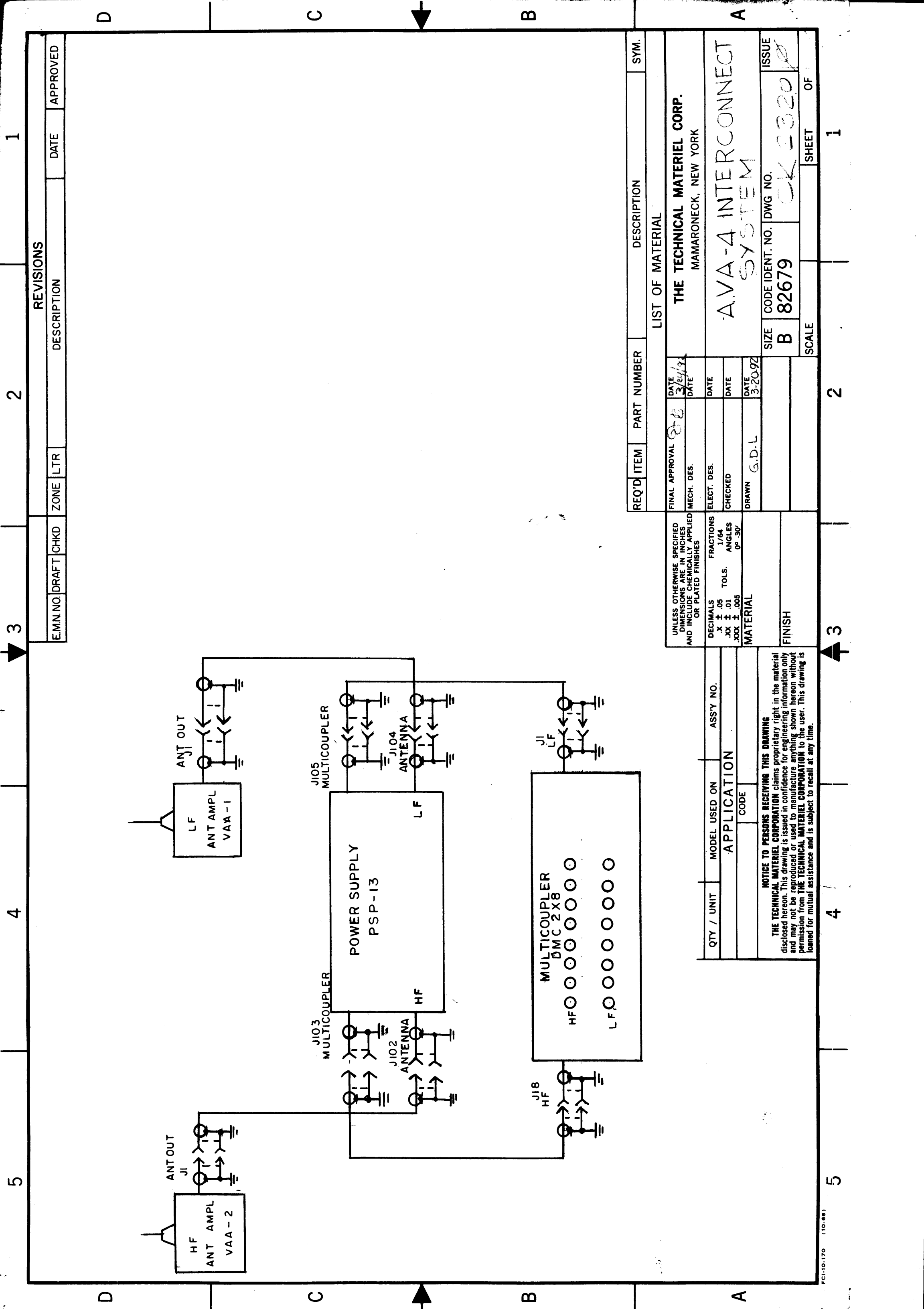
SIZE	CODE IDENT. NO.	DWG NO.	ISSUE
B	82679	CK 2319	A
SCALE	SHEET	OF	
	2	1	

THE TECHNICAL MATERIEL CORPORATION

MAMARONECK, NEW YORK

SCHEMATIC DIAGRAM

POWER SUPPLY (VLF)

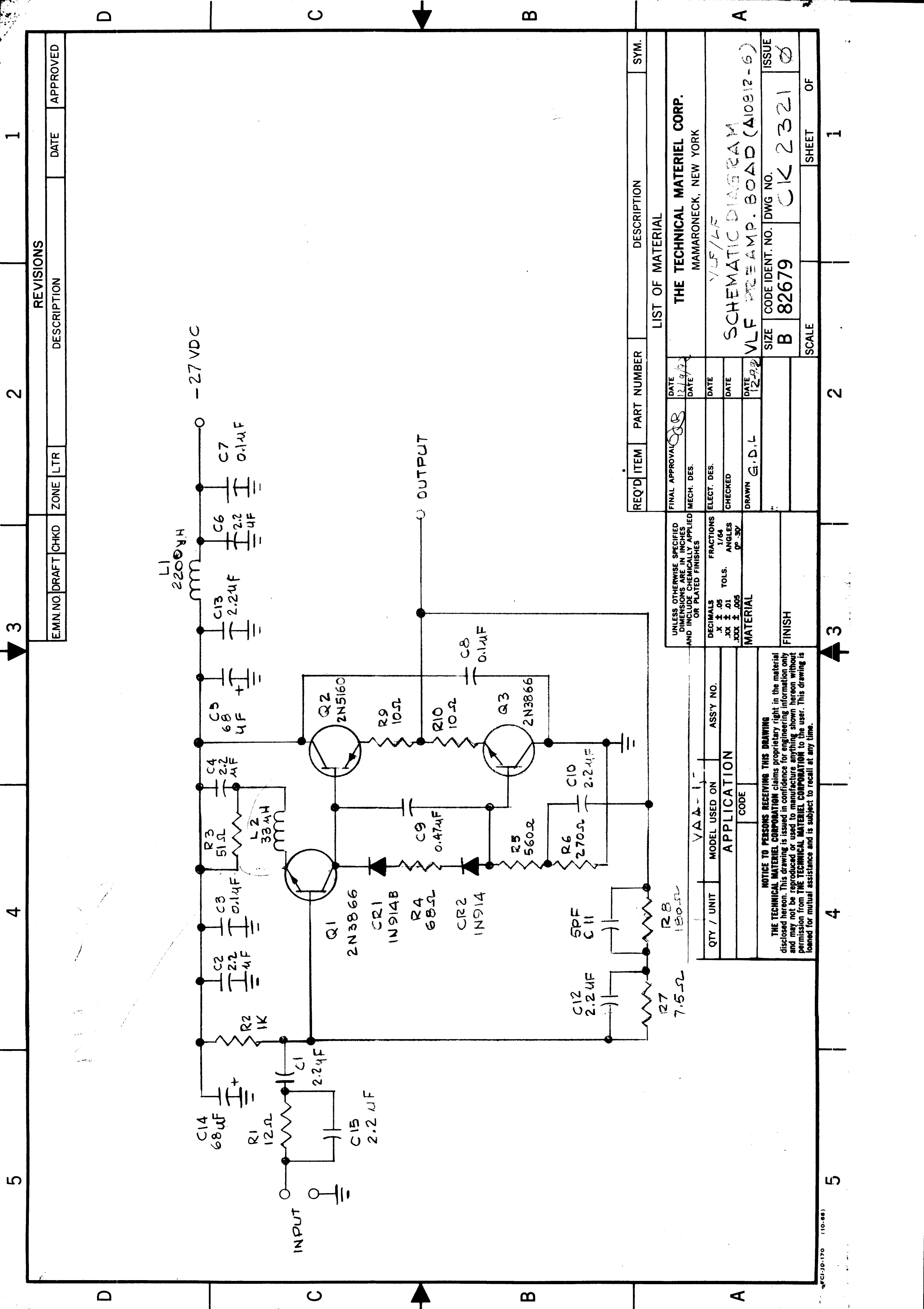


EM.N. NO.	DRAFT	CHKD	ZONE	LTR	DESCRIPTION	DATE	APPROVED
-----------	-------	------	------	-----	-------------	------	----------

REVISIONS	1	2	3	4	5
-----------	---	---	---	---	---

REQ'D ITEM	PART NUMBER	DESCRIPTION	SYM.
LIST OF MATERIAL			
THE TECHNICAL MATERIEL CORP. MAMARONECK, NEW YORK			
A.V.A-4 INTERCONNECT SYSTEM			
FINAL APPROVAL	DATE	DATE	DATE
MECH. DES.	3/24/74		
ELECT. DES.			
CHECKED			
DRAWN	G.D.L		3-20-92
UNLESS OTHERWISE SPECIFIED DIMENSIONS ARE IN INCHES AND INCLUDE CHEMICALLY APPLIED OR PLATED FINISHES	MATERIAL		
DECIMALS	FRACTIONS	ASSY NO.	
X ± .05	1/64		
.XX ± .01	ANGLES	CODE	
.XXX ± .005	0° .30'	APPLICATION	
FINISH			
SIZE	CODE IDENT. NO.	DWG NO.	ISSUE
B	82679	OK 2320	
SCALE	SHEET	OF	

NOTICE TO PERSONS RECEIVING THIS DRAWING
 THE TECHNICAL MATERIEL CORPORATION claims proprietary right in the material disclosed hereon. This drawing is issued in confidence for engineering information only and may not be reproduced or used to manufacture anything shown hereon without permission from THE TECHNICAL MATERIEL CORPORATION to the user. This drawing is loaned for mutual assistance and is subject to recall at any time.



REVISIONS		DATE	APPROVED
EM.N.O.	DRAFT	CHKD	ZONE
			LTR

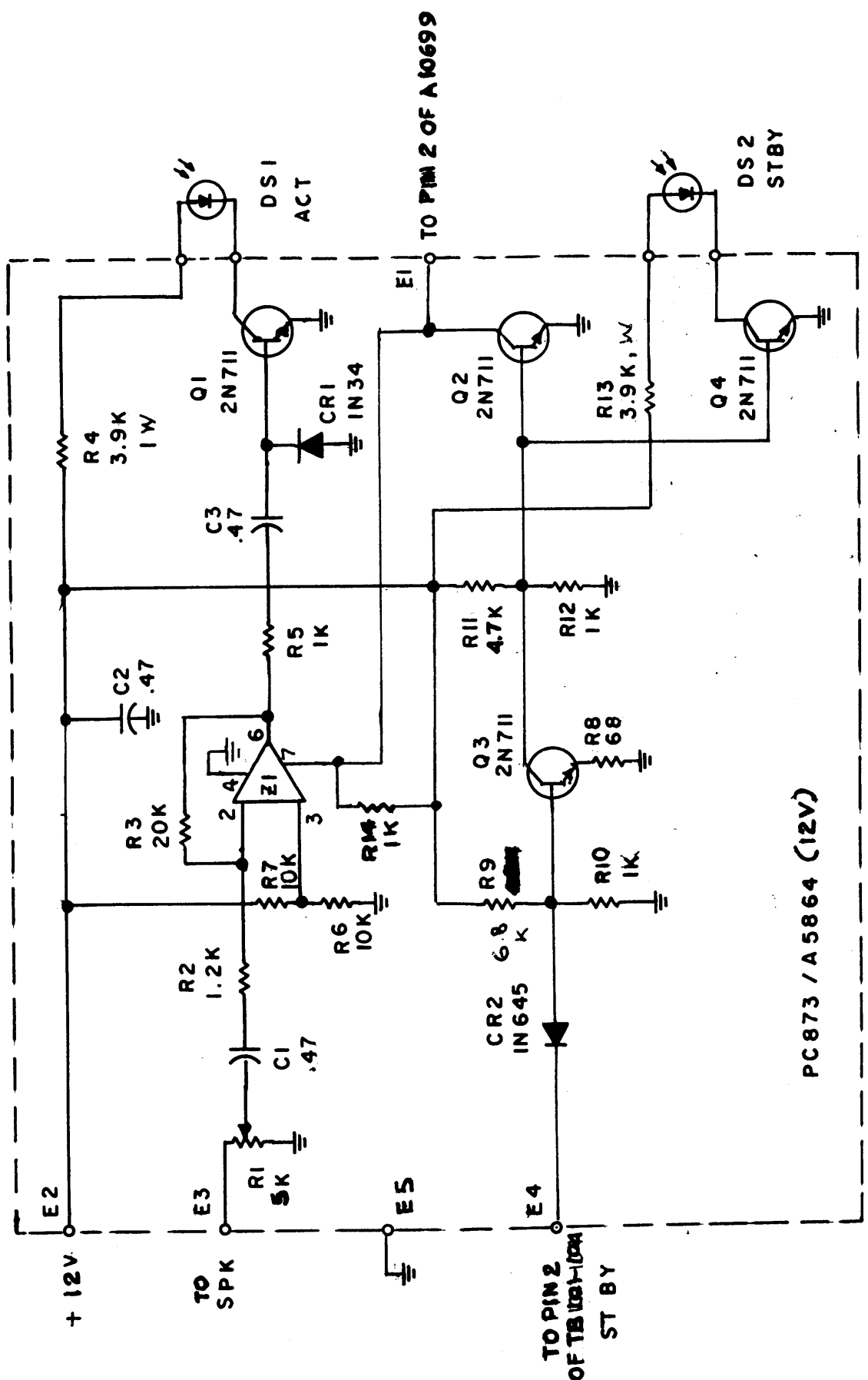
1			
2			
3			
4			
5			

REQ'D ITEM	PART NUMBER	DESCRIPTION	SYM.
LIST OF MATERIAL			
THE TECHNICAL MATERIEL CORP.			
MAMARONECK, NEW YORK			
VLF/LF			
SCHEMATIC DIAGRAM			
VLF PREAMP. BOARD (A10912-6)			
DATE	12/9/62	DATE	
MECH. DES.		DATE	
ELECT. DES.		DATE	
CHECKED		DATE	
DRAWN	G.D.L.	DATE	12-9-62
SIZE	B	CODE IDENT. NO.	CK 2321
SCALE		DWG NO.	82679
		ISSUE	Ø
		SHEET	1
		OF	

UNLESS OTHERWISE SPECIFIED DIMENSIONS ARE IN INCHES AND INCLUDE CHEMICALLY APPLIED OR PLATED FINISHES		FRACTIONS 1/64	
DECIMALS	X ± .05	TOLS.	ANGLES
	.XX ± .01		° ± .30
	.XXX ± .005		
MATERIAL		FINISH	

QTY / UNIT	MODEL USED ON	ASSY NO.
APPLICATION		
CODE		
<p>NOTICE TO PERSONS RECEIVING THIS DRAWING</p> <p>THE TECHNICAL MATERIEL CORPORATION claims proprietary right in the material disclosed herein. This drawing is issued in confidence for engineering information only and may not be reproduced or used to manufacture anything shown hereon without permission from THE TECHNICAL MATERIEL CORPORATION to the user. This drawing is loaned for mutual assistance and is subject to recall at any time.</p>		

REVISIONS			
EMN NO	DRAFT	CHKD	ZONE
	GDL		
		LTR	
			Ø
		DESCRIPTION	DATE
		ORIGINAL RELEASE FOR PRODUCT	1-26-93
			APPROVED



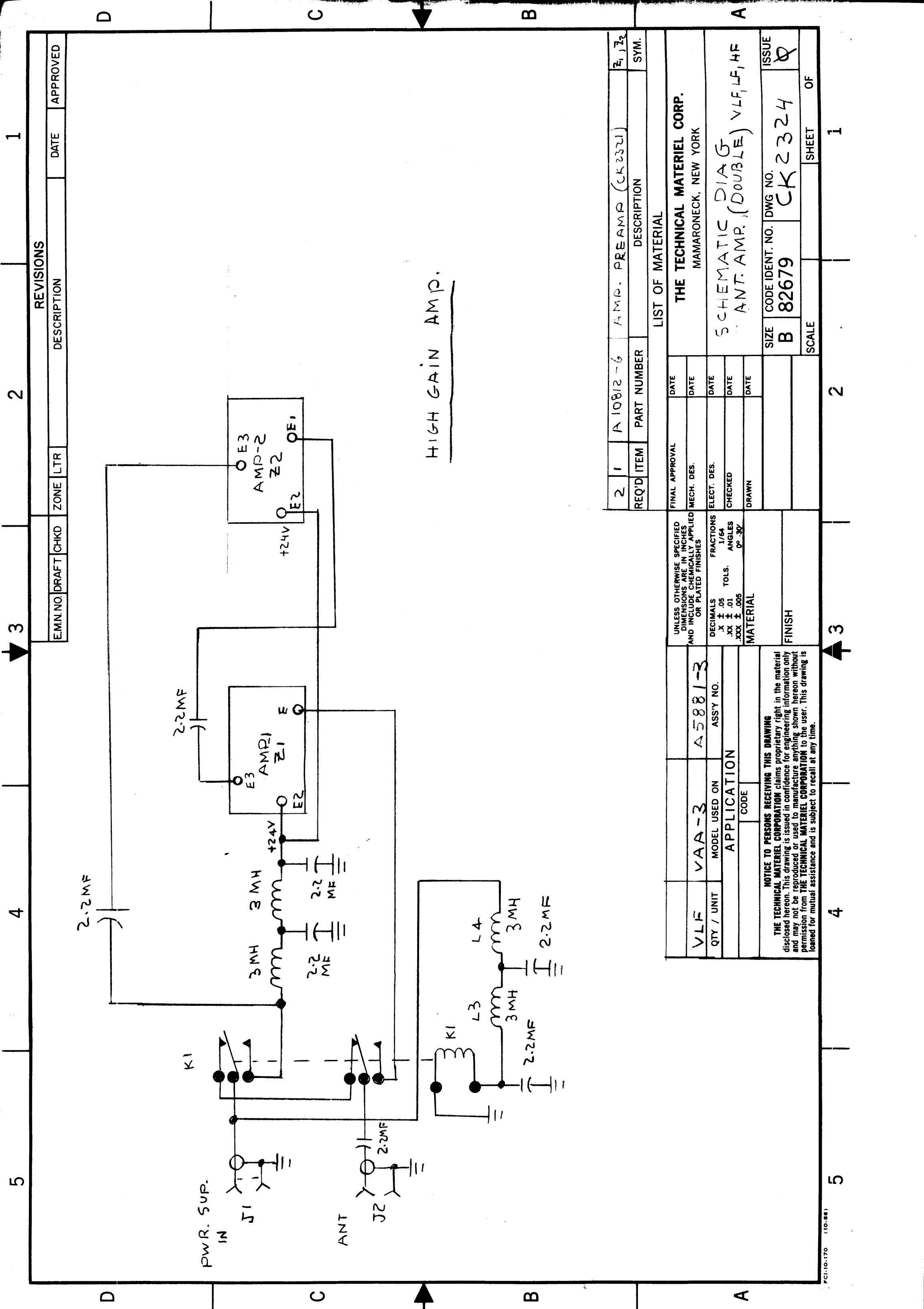
ALL RESISTOR ARE IN OHM 1/4W
ALL CAPACITOR ARE IN MICROFARAD

REQ'D ITEM	PART NUMBER	DESCRIPTION	SYM.
LIST OF MATERIAL			
THE TECHNICAL MATERIEL CORP. MAMARONECK, NEW YORK			
SCHEMATIC DIAGRAM PC 873 (12V.I NO. BD)			
FINAL APPROVAL	DATE	SIZE	ISSUE
<i>[Signature]</i>	1/25/93	B	CK 2322
MECH. DES.	DATE	CODE IDENT. NO.	DWG NO.
		82679	
ELECT. DES.	DATE	SCALE	SHEET
			OF
CHECKED	DATE		
DRAWN	DATE		
G.D.L.	1-26-93		

UNLESS OTHERWISE SPECIFIED DIMENSIONS ARE IN INCHES AND INCLUDE CHEMICALLY APPLIED OR PLATED FINISHES	DECIMALS	FRACTIONS
	.X ± .05 .XX ± .01 .XXX ± .005	1/64 1/32 0° .30'
MATERIAL		
FINISH		

QTY / UNIT	MODEL USED ON	ASSY NO.
	BSP-75	
APPLICATION		
CODE		

NOTICE TO PERSONS RECEIVING THIS DRAWING
THE TECHNICAL MATERIEL CORPORATION claims proprietary right in the material disclosed hereon. This drawing is issued in confidence for engineering information only and may not be reproduced or used to manufacture anything shown hereon without permission from THE TECHNICAL MATERIEL CORPORATION to the user. This drawing is loaned for mutual assistance and is subject to recall at any time.



REVISIONS

E.M.N. NO.	DRAFT	CHKD	ZONE	LTR	DESCRIPTION	DATE	APPROVED

2	1	A 10812-6	AMP. PREAMP (CK2321)	7.1.72
REQ'D ITEM	PART NUMBER	DESCRIPTION	SYM.	

LIST OF MATERIAL

QTY / UNIT	MODEL USED ON	ASSY NO.	DATE	DATE	DATE	DATE	DATE
VLF	VAA-3	A5881-3					
APPLICATION							
CODE							
<p>UNLESS OTHERWISE SPECIFIED DIMENSIONS ARE IN INCHES AND INCLUDE CHEMICALLY APPLIED OR PLATED FINISHES</p> <p>DECIMALS: .X ± .05, .XX ± .01, .XXX ± .005 FRACTIONS: 1/64 ANGLES: 0°-30'</p> <p>MATERIAL</p> <p>FINISH</p>							
<p>NOTICE TO PERSONS RECEIVING THIS DRAWING</p> <p>THE TECHNICAL MATERIEL CORPORATION claims proprietary right in the material disclosed hereon. This drawing is issued in confidence for engineering information only and may not be reproduced or used to manufacture anything shown hereon without permission from THE TECHNICAL MATERIEL CORPORATION to the user. This drawing is loaned for mutual assistance and is subject to recall at any time.</p>			SIZE	CODE IDENT. NO.	DWG NO.	ISSUE	
			B	82679	CK 2324	2	