

5

4

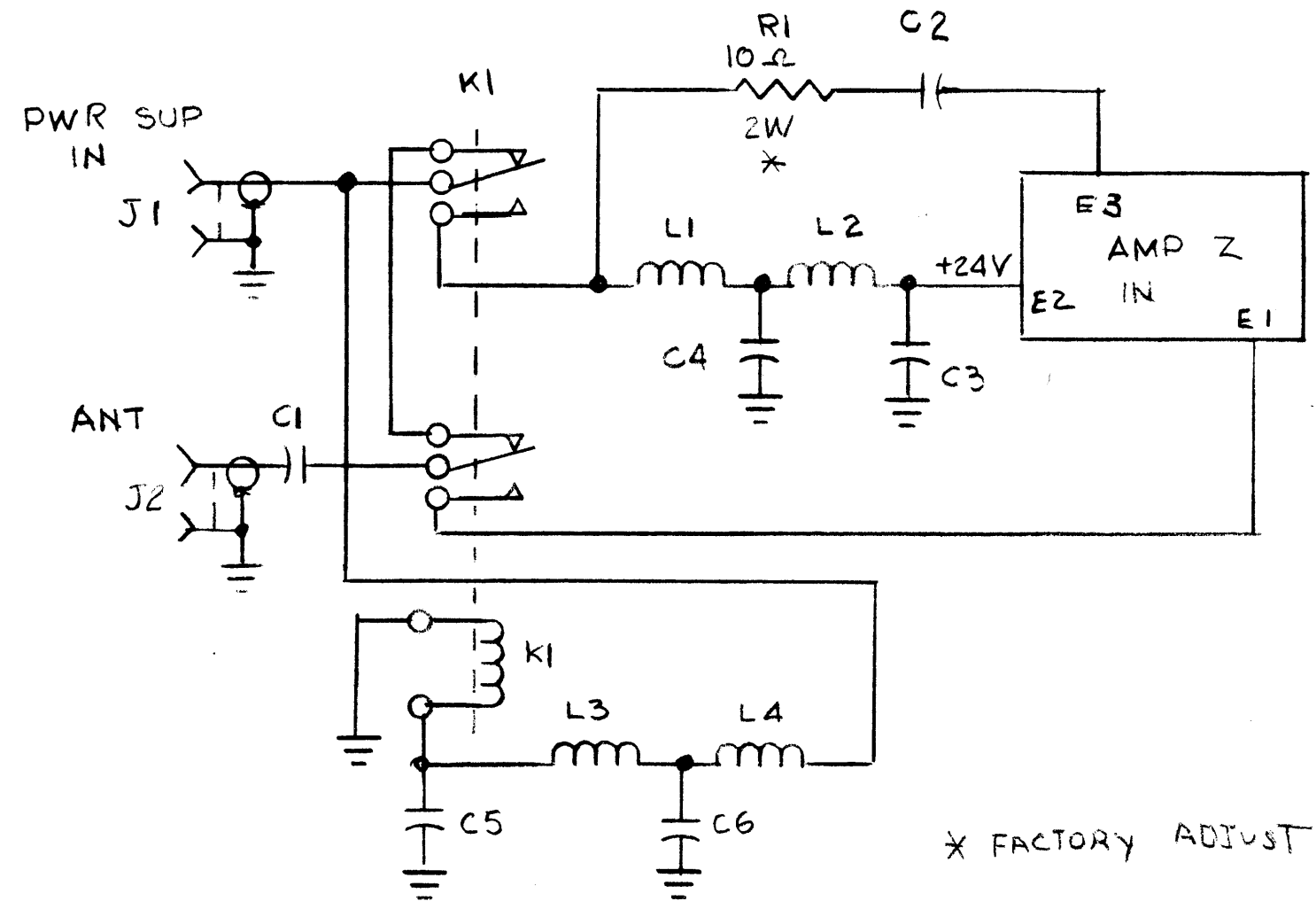
3

2

1

REVISIONS

E.M.N. NO.	DRAFT	CHKD	ZONE	LTR	DESCRIPTION	DATE	APPROVED
	G.D.L.			Ø	ORIGINAL RELEASE FOR PRODUCTION	2-4-93	



	HF	LF	HF	LF	Z1	Z2
C1	.1 μ f	2.2 MF	L1 125MH	3 MH	HF	LF
C2	.1	2.2 MF	L2 125MH	3 MH	AX 5269	AX 5270
C3	.1	2.2 MF	L3 125MH	3 MH		
C4	.1	2.2 MF	L4 15UH	3 MH		
C5	.1	2.2 MF				
C6	.1 μ f	2.2 MF				

* FACTORY ADJUST

REQ'D	ITEM	PART NUMBER	DESCRIPTION	SYM.
LIST OF MATERIAL				
THE TECHNICAL MATERIEL CORP. MAMARONECK, NEW YORK				
SCHEMATIC DIAG. HF/LF ANT. AMPL.				
SIZE	CODE IDENT. NO.	DWG NO.	ISSUE	
B	82679	CK 2317	Ø	
SCALE			SHEET	OF

LF/VLF	VAA-1,2	A5881-1,3	UNLESS OTHERWISE SPECIFIED DIMENSIONS ARE IN INCHES AND INCLUDE CHEMICALLY APPLIED OR PLATED FINISHES
HF	VAA-2	A5881-2	
QTY / UNIT	MODEL USED ON	ASS'Y NO.	DECIMALS .X ± .05 .XX ± .01 .XXX ± .005
APPLICATION			FRACTIONS 1/64 ANGLES 0° - 90°
CODE			MATERIAL
FINISH			
<p>NOTICE TO PERSONS RECEIVING THIS DRAWING THE TECHNICAL MATERIEL CORPORATION claims proprietary right in the material disclosed hereon. This drawing is issued in confidence for engineering information only and may not be reproduced or used to manufacture anything shown hereon without permission from THE TECHNICAL MATERIEL CORPORATION to the user. This drawing is loaned for mutual assistance and is subject to recall at any time.</p>			

5

4

3

2

1