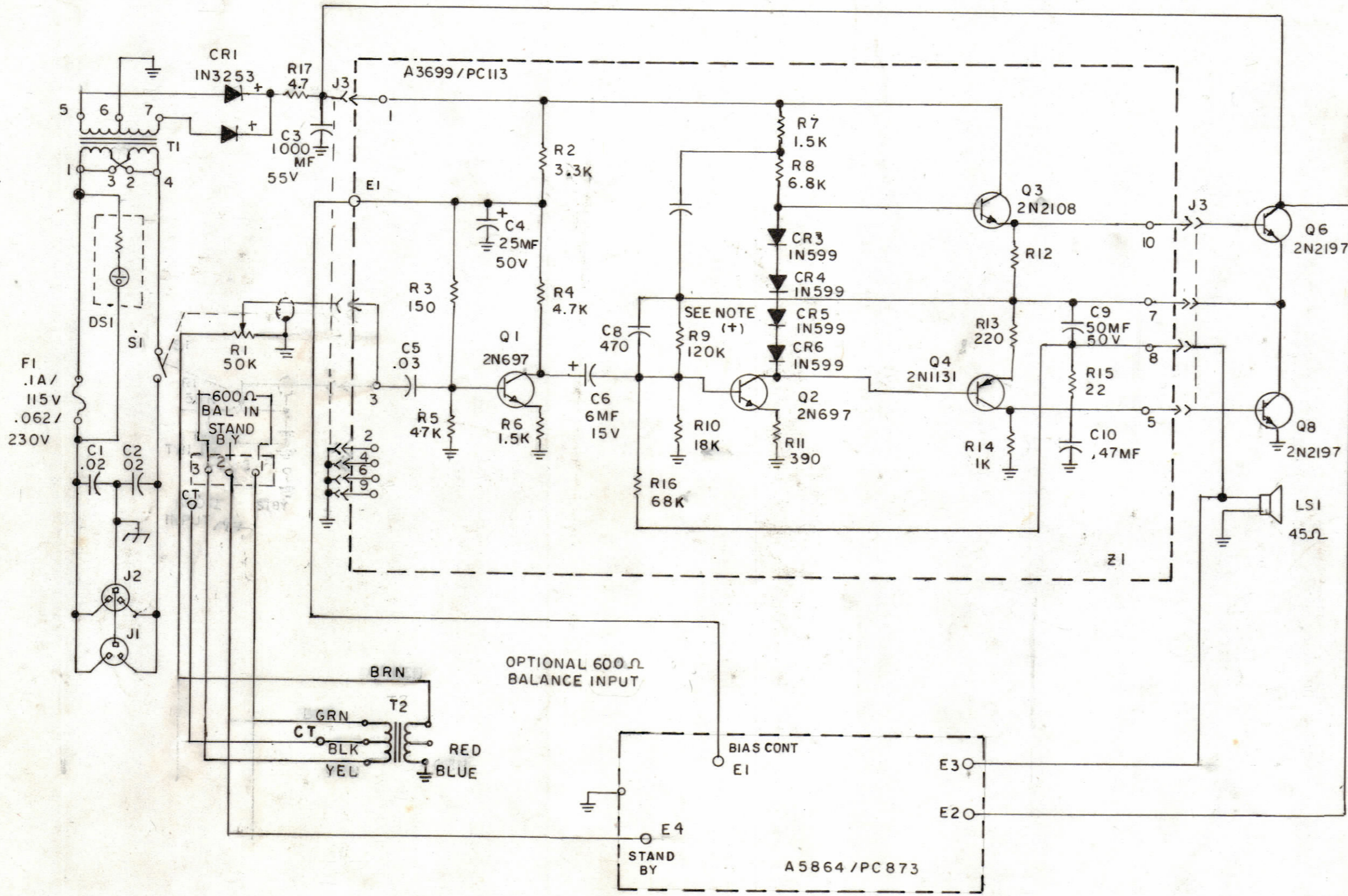


REVISIONS						
ZONE	LTR	DESCRIPTION	DATE	E.M.N.NO	DRAFT	CHKD APPD
		ORIGINAL RELEASE	11-2-89		G.D.L.	
	A	T2 MODIFIED	11-14-89		G.D.L.	

T1 PRIMARY CONNECTION
FOR 230V OPERATION



LAST SYMBOLS

- C10
- CR6
- DS1
- F1
- J3
- LS1
- Q6
- R17
- S1
- T1
- TB1
- Z1

UNLESS OTHERWISE SPECIFIED
ALL RESISTOR VALUES ARE OHMS, 1/2W
ALL CAPACITOR VALUES ARE IN μ F
SYMBOLS LS1, F1, DS1, R1, S1 ARE NOT PART
OF AMPL-AZ102, AND ARE SHOWN

BSP-3DS		
QTY / UNIT	MODEL USED ON	ASS'Y NO.
APPLICATION		
CODE		
NOTICE TO PERSONS RECEIVING THIS DRAWING		
THE TECHNICAL MATERIEL CORPORATION claims proprietary right in the material disclosed herein. This drawing is issued in confidence for engineering information only and may not be reproduced or used to manufacture anything shown hereon without permission from THE TECHNICAL MATERIEL CORPORATION to the user. This drawing is loaned for mutual assistance and is subject to recall at any time.		

UNLESS OTHERWISE SPECIFIED
DIMENSIONS ARE IN INCHES
AND INCLUDE CHEMICALLY APPLIED
OR PLATED FINISHES

TOLERANCES ON

DECIMALS	FRACTIONS
.X \pm .05	\pm 1/64
.XX \pm .01	ANGLES
.XXX \pm .005	\pm 0°-30'

QTY. REQ.	ITEM	PART NO.	DESCRIPTION	SYMBOL
LIST OF MATERIAL				
THE TECHNICAL MATERIEL CORP. MAMARONECK, NEW YORK				
DIAGRAM SCHEMATIC (BRIDGING AMPLIFIER SPECIAL)				
MATERIAL		SIZE	CODE IDENT. NO.	DWG NO.
FINISH		C	82679	CK 2302
		SCALE	SHEET	OF

FINAL APPROVAL	DATE
MECH. DES.	DATE
ELECT. DES.	DATE
CHECKED	DATE
DRAWN	DATE
G.D.L.	6-1-89