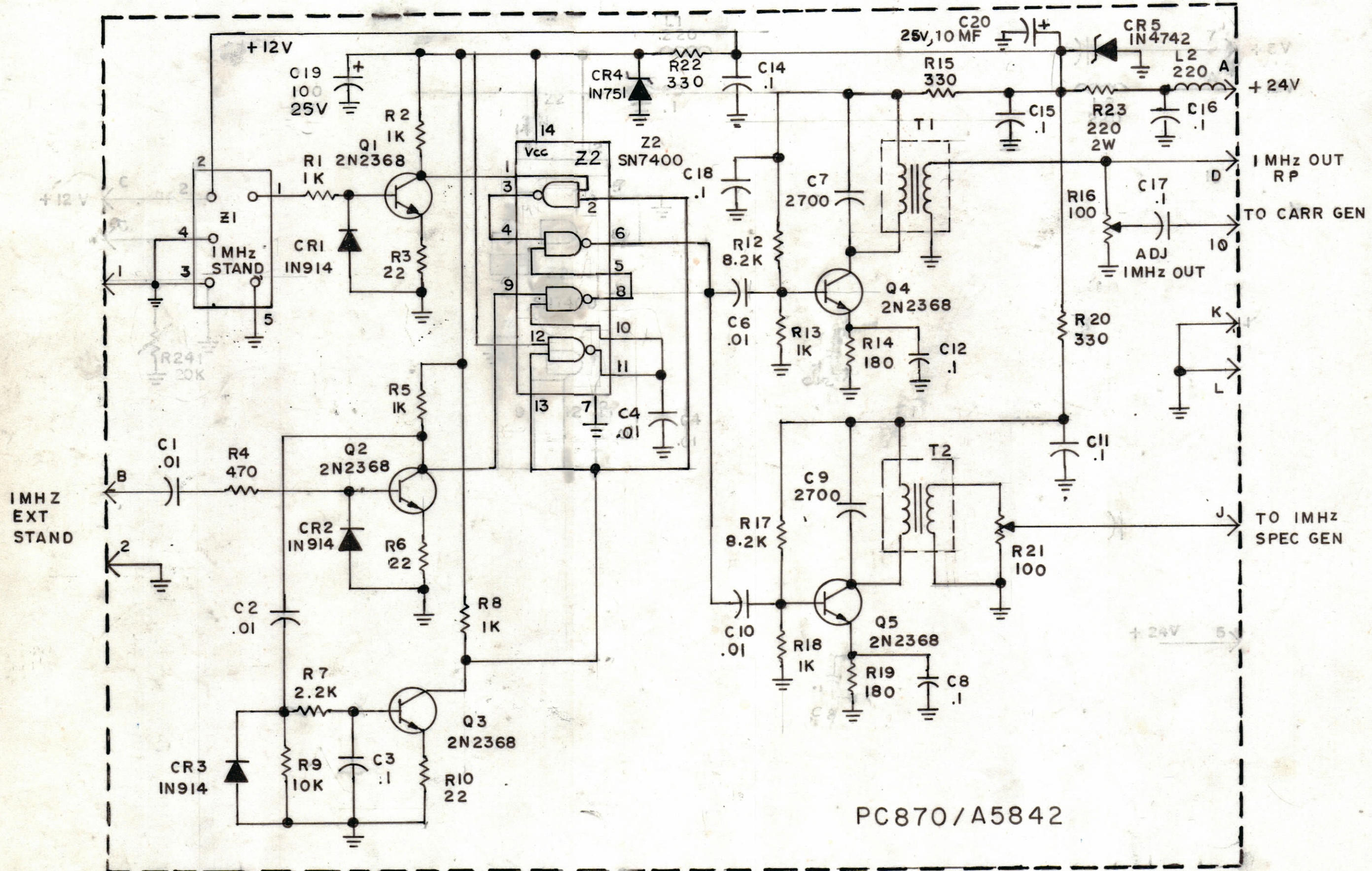


REVISIONS						
ZONE	LTR	DESCRIPTION	DATE	E.M.N.NO	DRAFT	CHKD APPD
	X3	+ 12V PIN A CONN. DEL. CR5, L2, C20 R23, R24 ADD. C19 WAS 100 PIN A WAS PIN 5	9-3-85			
	X4	R24 DEL. C12 & C8 ADD.	2-25-88		G.D.L	



UNLESS OTHERWISE SPECIFIED
 1- ALL RESISTANCES ARE IN OHM, 1/4 W
 2- ALL CAPACITANCES ARE IN UFD
 3- ALL INDUCTANCES ARE IN UH

LAST SYMBOL	MISSING SYMBOL
C20	C13, C15, C16
CR5	R11
L2	L1
Q5	
R23	
T2	

PC870/A5842

I	MMX-4	
QTY / UNIT	MODEL USED ON	ASS'Y NO.
APPLICATION		
	CODE	
NOTICE TO PERSONS RECEIVING THIS DRAWING <small>THE TECHNICAL MATERIEL CORPORATION claims proprietary right in the material disclosed herein. This drawing is issued in confidence for engineering information only and may not be reproduced or used to manufacture anything shown herein without permission from THE TECHNICAL MATERIEL CORPORATION to the user. This drawing is loaned for mutual assistance and is subject to recall at any time.</small>		

UNLESS OTHERWISE SPECIFIED DIMENSIONS ARE IN INCHES AND INCLUDE CHEMICALLY APPLIED OR PLATED FINISHES

TOLERANCES ON
 DECIMALS: .X ± .05, .XX ± .01, .XXX ± .005
 FRACTIONS: ± 1/64, ANGLES: ± 0°-30'

MATERIAL
 FINISH

QTY. REQ.	ITEM	PART NO.	DESCRIPTION	SYMBOL
LIST OF MATERIAL				
THE TECHNICAL MATERIEL CORP. MAMARONECK, NEW YORK				
SCHEMATIC, DIAGRAM AUTOMATIC 1MHz SWITCH OVER AND 1MHz STANDARD				
SIZE	CODE IDENT. NO.	DWG NO.	ISSUE	
C	82679	CK 2281	X4	
SCALE	SHEET			OF