

4

3

2

1

LAST SYMBOL

C41  
CR1  
CV7  
L7  
Q3  
T7  
R27

MISSING SYMBOL

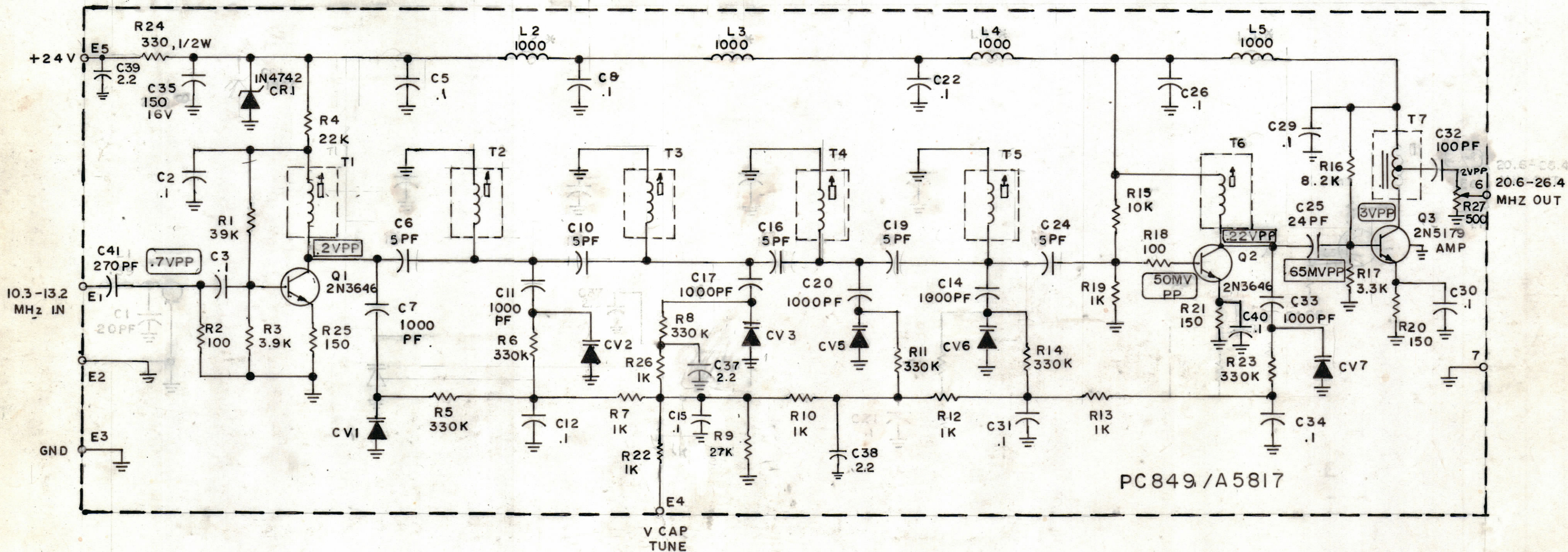
C9, C13, C18, C23, C27, C28  
CV4

DIAL	FREQ	V. CAP
29	20.8	.8
28	21.0	.92
27	21.2	1
26	21.4	1.1
25	21.6	1.2
24	21.8	1.3
23	22.0	1.4
22	22.2	1.5
21	22.4	1.63
20	22.2	1.75

DIAL	FREQ	V. CAP
19	22.8	1.9
18	23.0	2.0
17	23.2	2.2
16	23.4	2.3
15	23.6	2.45
14	23.8	2.6
13	24.0	2.75
12	24.2	3.0
11	24.4	3.2
10	24.6	3.35

DIAL	FREQ	V. CAP
9	24.8	3.6
8	25.0	3.8
7	25.2	4.0
6	25.4	4.3
5	25.6	4.5
4	25.8	4.8
3	26.0	5.0
2	26.2	5.3
1	26.4	5.6
0	26.6	5.9

REVISIONS							
ZONE	LTR	DESCRIPTION	DATE	E.M.N.NO	DRAFT	CHKD	APPD
	X3	R22 ADD, L2 WAS 10K,					
	X4	VALUE C6,10,16,19,20,24 WAS 5PF, C40 ADD	12-15-88			GDL	
	X5	VALUE C6,10,16,19,20,24 WAS 12, C40 DEL	1-12-89			GDL	
	X6	L1,39, C1 20PF DELETED, C40, C41 ADD.	3-1-89			GDL	



UNLESS OTHERWISE SPECIFIED  
 1- ALL RESISTANCES ARE IN OHMS  
 2- ALL CAPACITANCES ARE IN UF  
 3- ALL INDUCTANCES ARE IN UH  
 4- ALL CV ARE MV2113  
 \* DENOTE FERRITE BEAD

1	MMX-4	A5817
QTY / UNIT	MODEL USED ON	ASS'Y NO.
APPLICATION		
CODE		
<small>NOTICE TO PERSONS RECEIVING THIS DRAWING</small> <small>THE TECHNICAL MATERIEL CORPORATION claims proprietary right in the material disclosed herein. This drawing is issued in confidence for engineering information only and may not be reproduced or used to manufacture anything shown hereon without permission from THE TECHNICAL MATERIEL CORPORATION to the user. This drawing is loaned for mutual assistance and is subject to recall at any time.</small>		

QTY. REQ.	ITEM	PART NO.	DESCRIPTION	SYMBOL
LIST OF MATERIAL				
UNLESS OTHERWISE SPECIFIED DIMENSIONS ARE IN INCHES AND INCLUDE CHEMICALLY APPLIED OR PLATED FINISHES				
TOLERANCES ON				
DECIMALS	FRACTIONS			
.X ± .05	± 1/64			
.XX ± .01	ANGLES			
.XXX ± .005	± 0° -30'			
MATERIAL				
FINISH				
		SIZE	CODE IDENT. NO.	DWG NO.
		C	82679	CK 2266
		SCALE	SHEET OF	

**THE TECHNICAL MATERIEL CORP.**  
 MAMARONECK, NEW YORK  
**SCHEMATIC, DIAGRAM**  
**X2 AMP**  
**(20.6 - 26.4 MHz)**

FINAL APPROVAL: \_\_\_\_\_ DATE: \_\_\_\_\_  
 MECH. DES: \_\_\_\_\_ DATE: \_\_\_\_\_  
 ELECT. DES: \_\_\_\_\_ DATE: \_\_\_\_\_  
 CHECKED: *L.H.* DATE: 7-10-85  
 DRAWN: *G. DeLuca* DATE: 7-10-85

ISSUE: **X6**

4

3

2

1