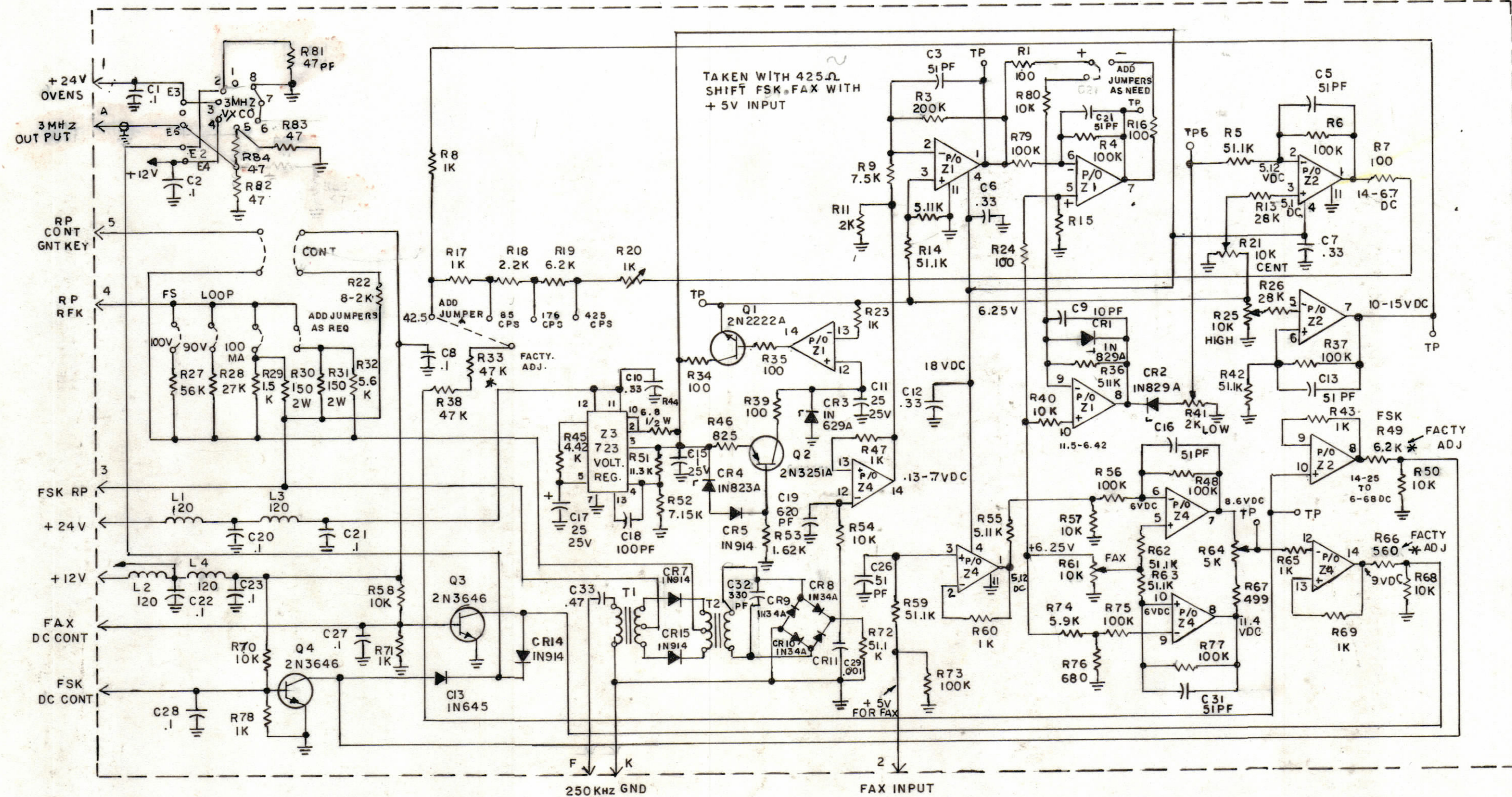


REVISIONS						
ZONE	LTR	DESCRIPTION	DATE	E.M.N.O	DRAFT	CHKD APPD
	X2	REDRAWN NO CHANGES	4-7-89		GDL	
	X3	R81 ADD.	4-28-88		GDL	
	X4	R82 & R83 ADD	12-21-88		GDL	



MISSING SYMBOL	LAST SYMBOL
CR 6	C33
CR 12	CR 15
	Q 4
	L 4
	R 84
	T 2
	Z 4

REF: A5826 / PC858

QTY. REQ.	ITEM	PART NO.	DESCRIPTION	SYMBOL
LIST OF MATERIAL				
THE TECHNICAL MATERIEL CORP. MAMARONECK, NEW YORK				
SCHEMATIC DIAGRAM FREQUENCY SHIFT GENERATOR				
SIZE	CODE IDENT. NO.	DWG NO.	ISSUE	
C	82679	CK2263	X4	
SCALE	SHEET			OF

UNLESS OTHERWISE SPECIFIED DIMENSIONS ARE IN INCHES AND INCLUDE CHEMICALLY APPLIED OR PLATED FINISHES

TOLERANCES ON
 DECIMALS .X ± .05
 .XX ± .01
 .XXX ± .005
 FRACTIONS 1/64
 ANGLES ± 0° -30'

MATERIAL
FINISH

QTY / UNIT	MODEL USED ON	ASS'Y. NO.
MMX - 4		
APPLICATION		
CODE		
NOTICE TO PERSONS RECEIVING THIS DRAWING		
<p>THE TECHNICAL MATERIEL CORPORATION claims proprietary right in the material disclosed hereon. This drawing is issued in confidence for engineering information only and may not be reproduced or used to manufacture anything shown hereon without permission from THE TECHNICAL MATERIEL CORPORATION to the user. This drawing is loaned for mutual assistance and is subject to recall at any time.</p>		