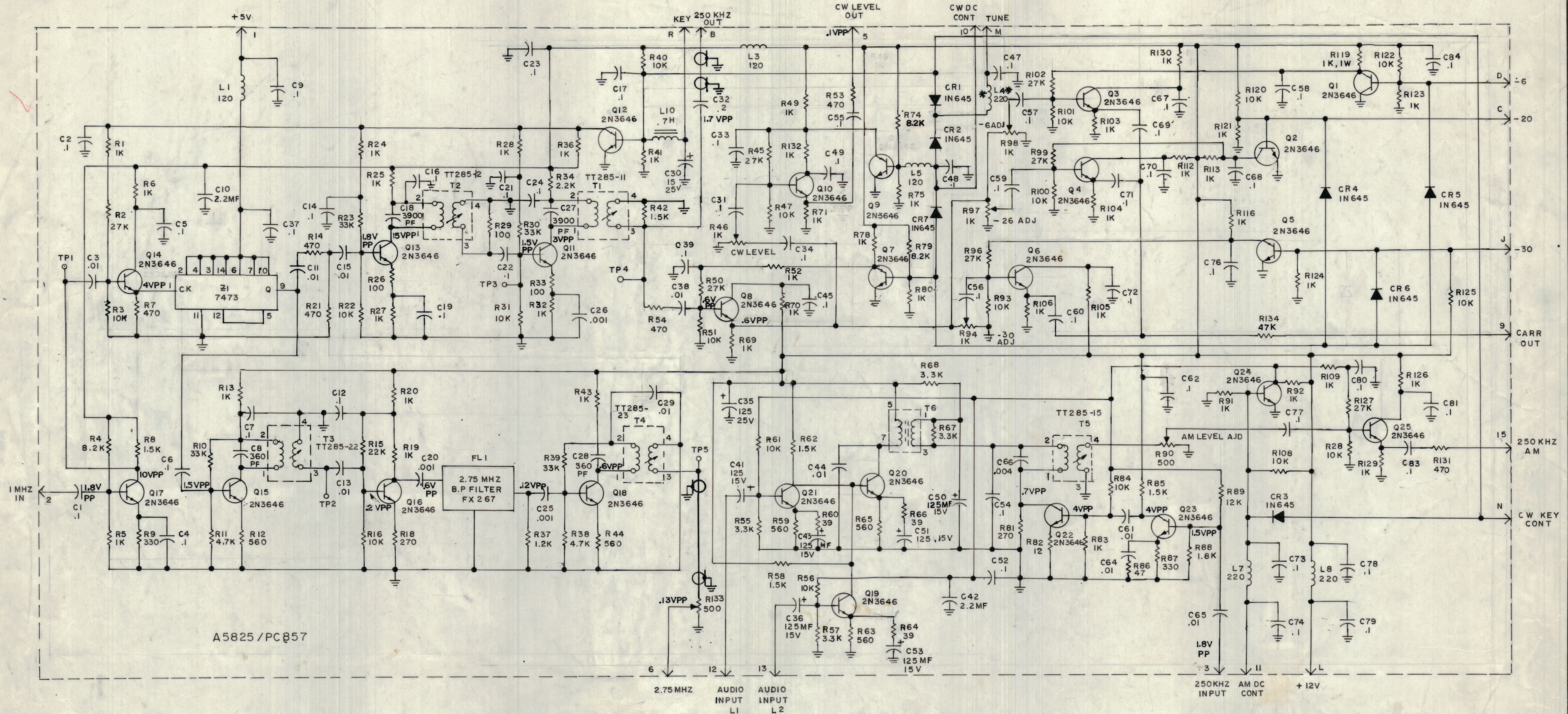


REVISIONS							
E.M.N.O	DRAFT	CHKD	ZONE	LTR	DESCRIPTION	DATE	APPROVED
					R134 ADD R79 WAS 10K R79 WAS 10K	9-25-85	
					RELEASE FOR PRODUCTION	2-13-86	



LAST SYMBOL MISSING SYMBOL

C85 FL1 CR7 L9 Q25 R134 T6

R17, 37, 63, 75, R35, 50, 72, 76, R93, 107, 110, 114, R115, 118, 129, R111

UNLESS OTHERWISE SPECIFIED

1-ALL CAPACITANCE ARE IN UF

2-ALL INDUCTANCE ARE IN UH

3- ALL RESISTANCE ARE IN OHM, 1/4W

* OPTION

MMX-4		
QTY / UNIT	MODEL USED ON	ASS'Y NO.
APPLICATION		
CODE		

TOLERANCES ON	
DECIMALS	FRACTIONS
.X = .05	± 1/64
.XX = .01	ANGLES
.XXX = .005	± 0° - 30'

QTY. REQ.	ITEM	PART NO.	DESCRIPTION	SYMBOL
LIST OF MATERIAL				
THE TECHNICAL MATERIEL CORP.				
MAMARONECK, NEW YORK				
SCHEMATIC, DIAGRAM				
CARRIER GENERATOR				
SIZE	CODE IDENT NO.	DWG NO.	ISSUE	
D	82679	CK2260		
SCALE				SHEET OF

NOTICE TO PERSONS RECEIVING THIS DRAWING

THE TECHNICAL MATERIEL CORPORATION claims proprietary right in the material disclosed hereon. This drawing is issued in confidence for engineering information only and may not be reproduced or used to manufacture anything shown hereon without permission from THE TECHNICAL MATERIEL CORPORATION to the user. This drawing is loaned for mutual assistance and is subject to recall at any time.