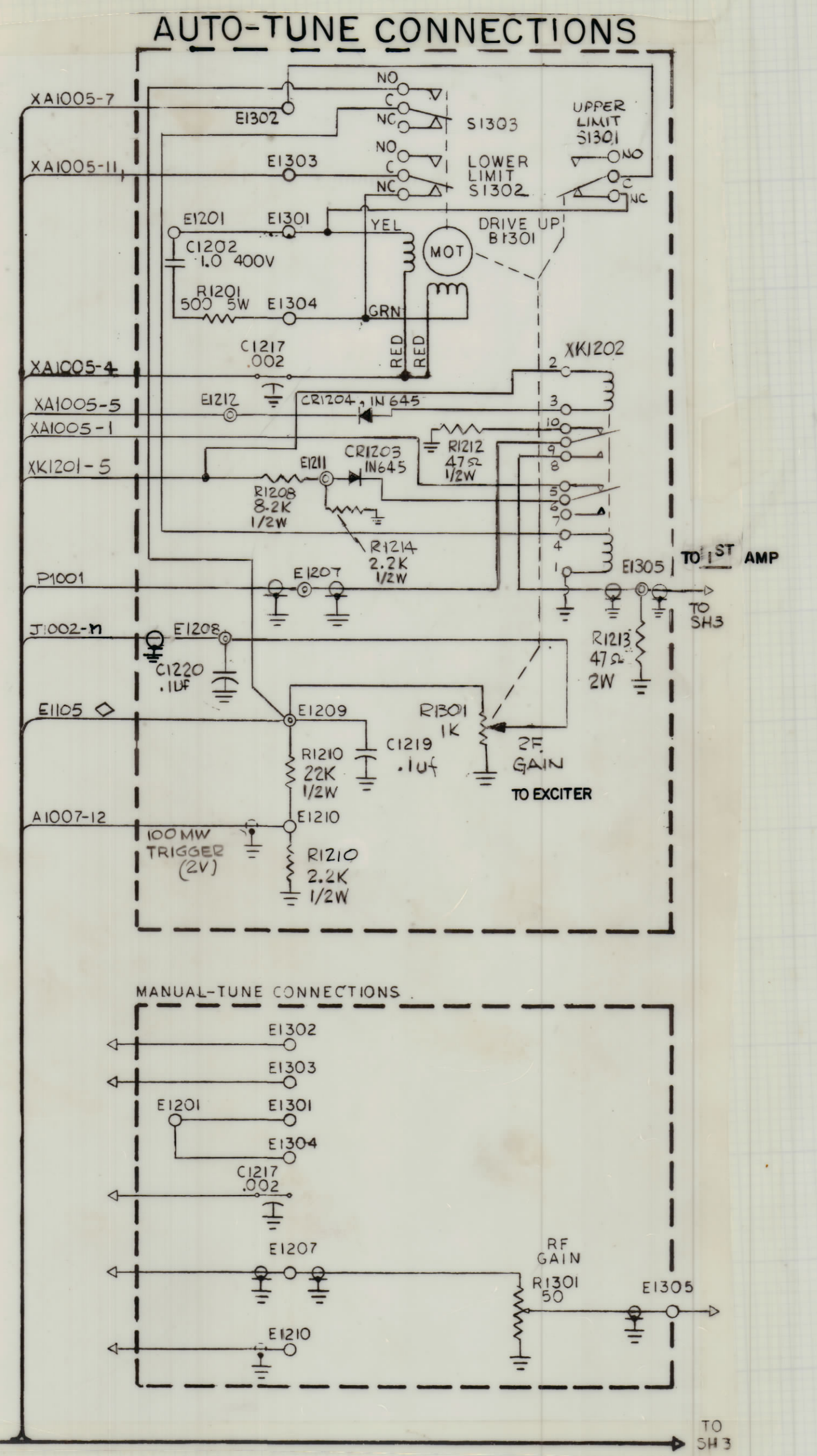
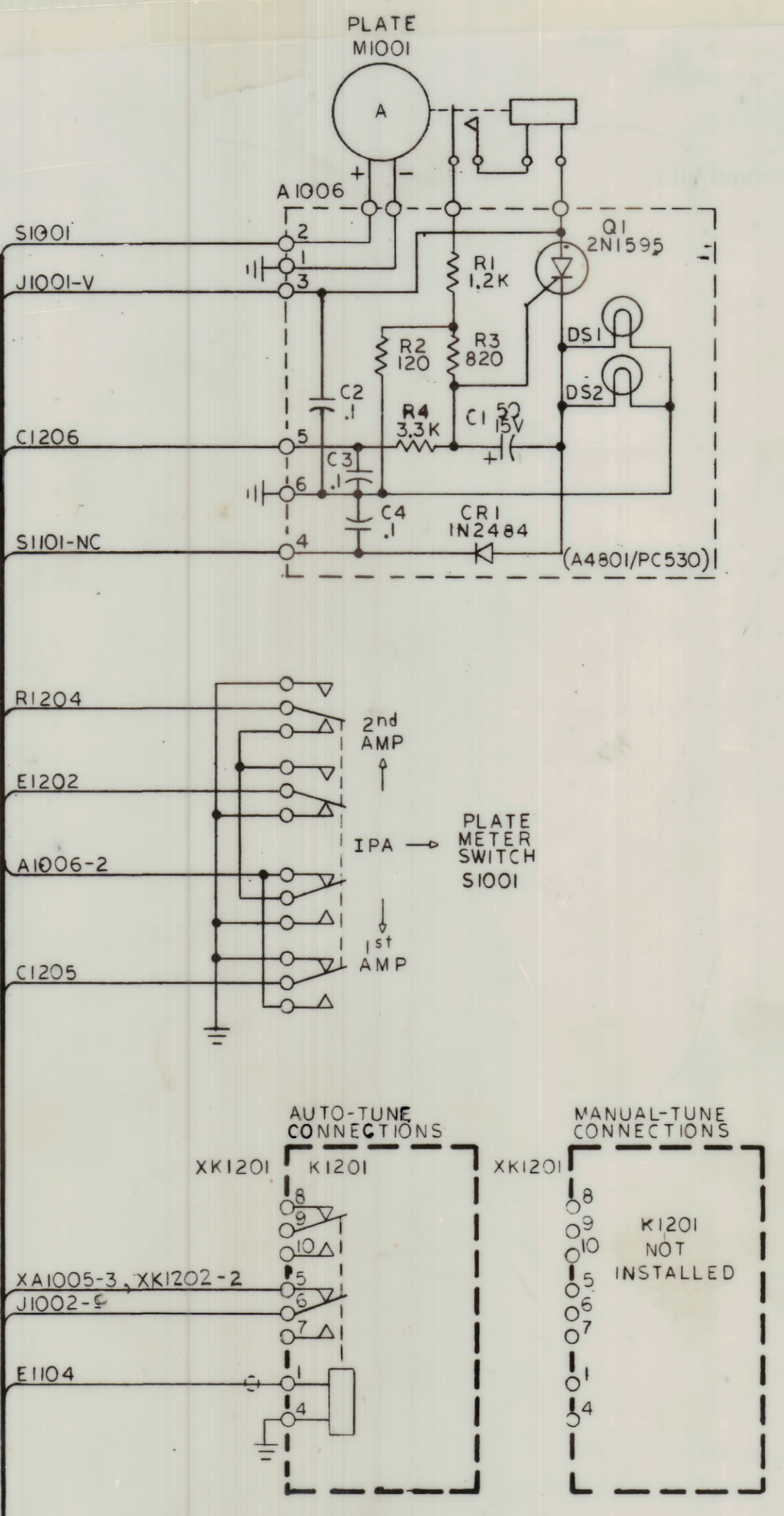
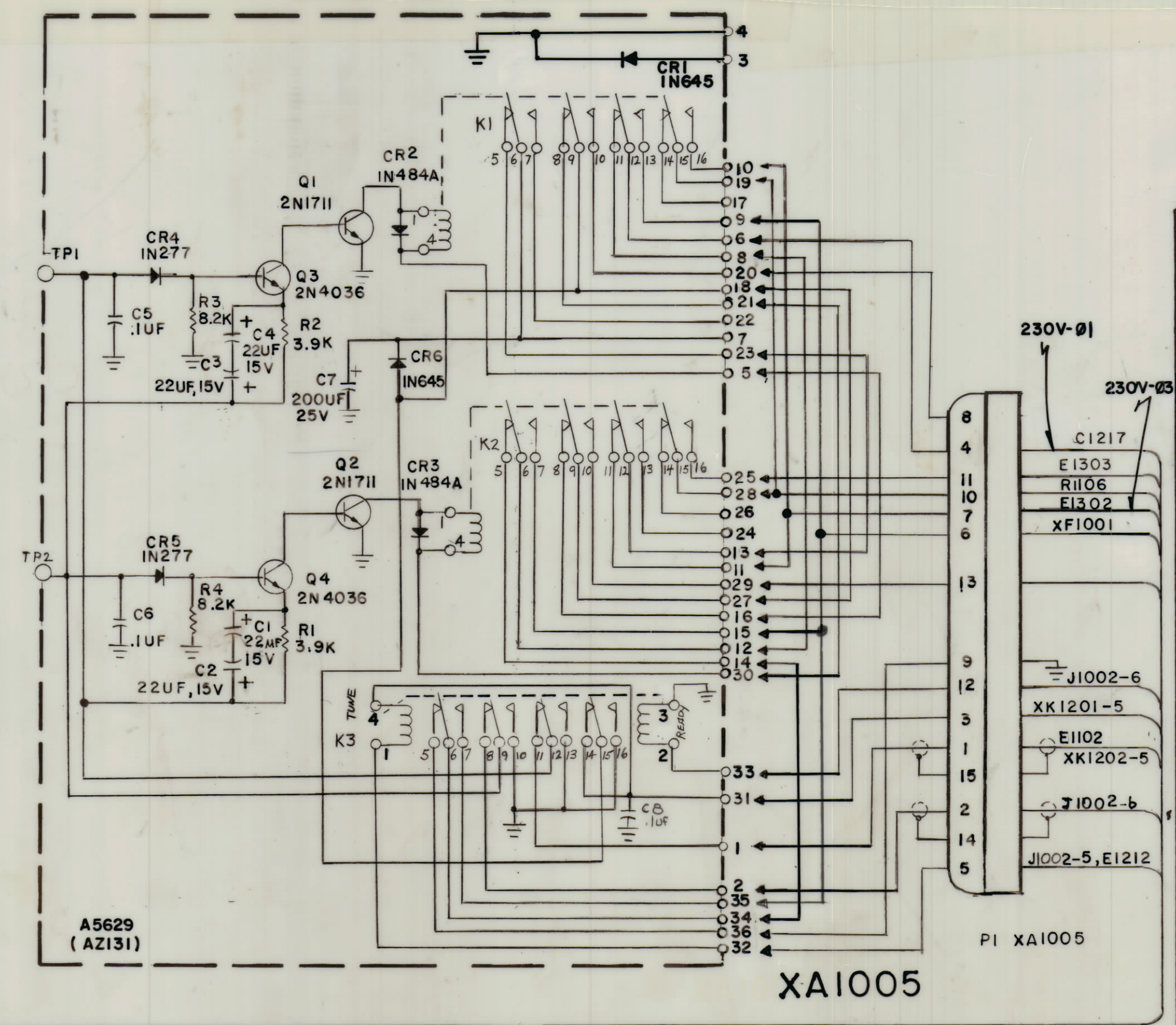
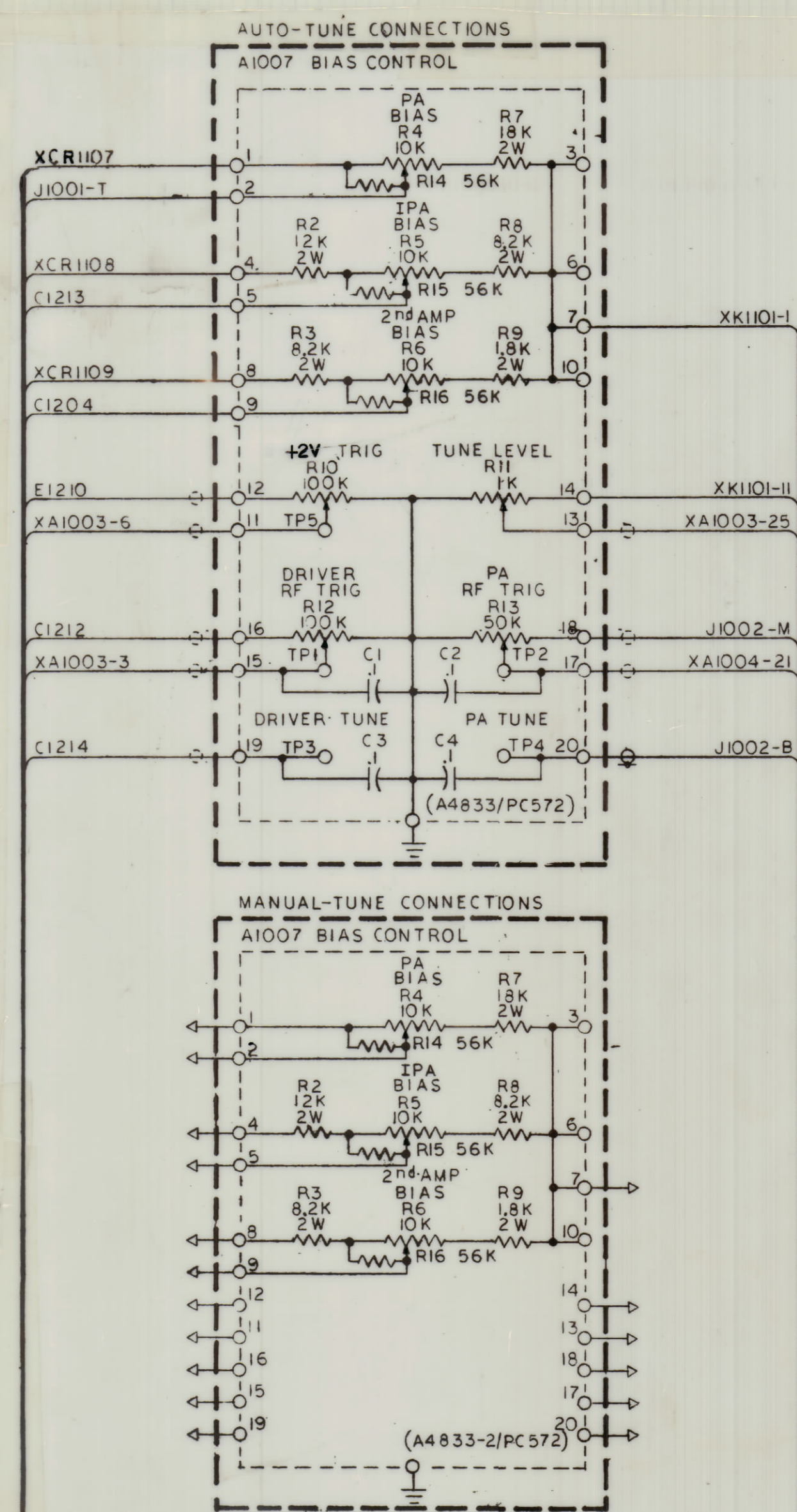


REVISIONS						
ZONE	LTR	DESCRIPTION	DATE	E.M.N.NO	DRAFT	CHKD APPD
		ORIGINAL RELEASE	9-26-80			
A		SEE SHEET ①	10-16-80		RU	



TO SH1

TO SH3

AIO07	
LAST SYM	MISS SYM
C4	
E20	
R16	R1
TP5	

AIO05	
LAST SYM	MISS SYM
C8	
CR6	
K3	
Q4	
R4	

AIO06	
LAST SYM	MISS SYM
C4	
CR1	
DS2	
E6	
Q1	
R4	
XDS2	

LAST SYM	MISS SYM

LIST OF MATERIAL			
FINAL APPROVAL	DATE	THE TECHNICAL MATERIEL CORP.	
Mech. DES.	DATE	MAMARONECK, NEW YORK	
ELECT. DES.	DATE	DIAGRAM SCHEMATIC	
CHECKED	DATE	AX5232 DRIVER DRAWER	
DRAWN	DATE	SIZE	CODE IDENT. NO. DWG. NO.
RU	8-21-80		82679 CK2179
		SCALE	ISSUE
			A
			SHEET 2 OF 4