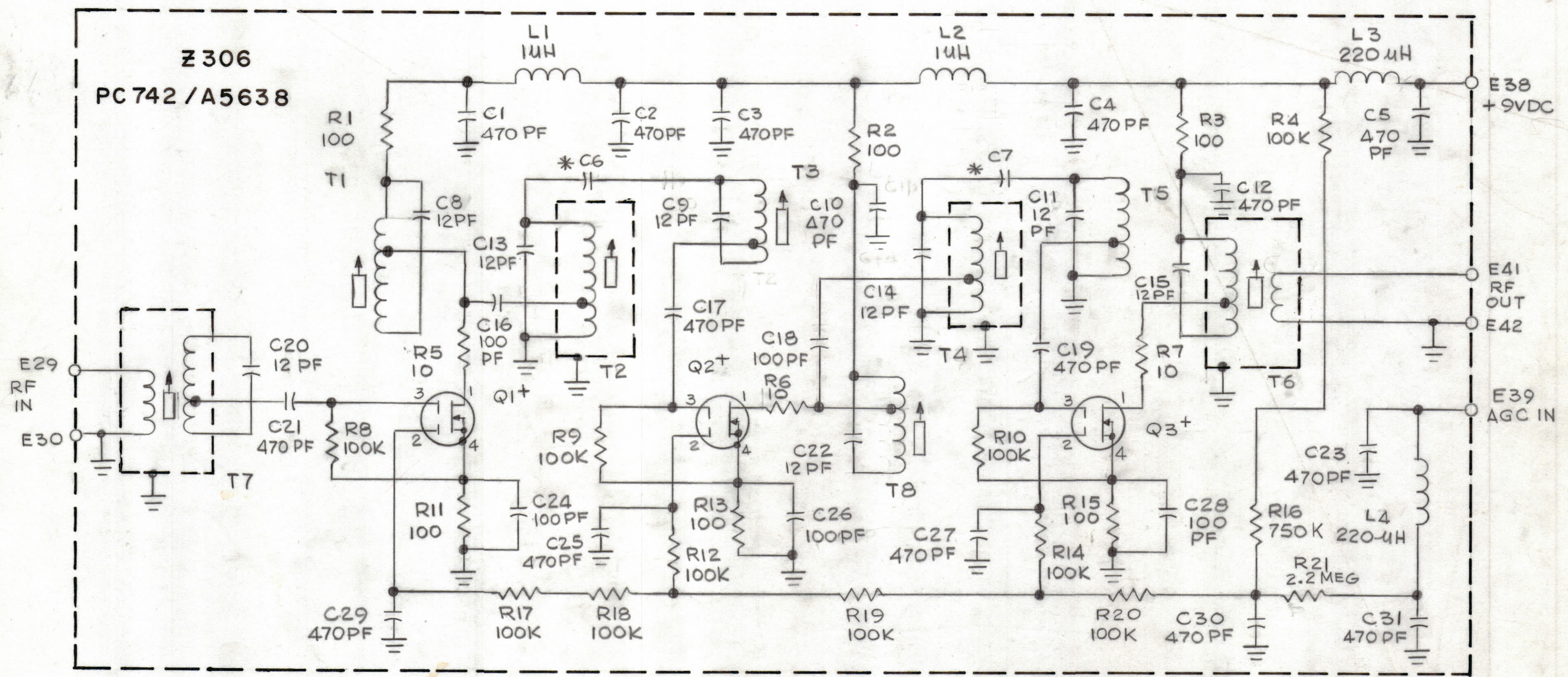


REVISIONS						
ZONE	LTR	DESCRIPTION	DATE	E.M.N.O.	DRAFT	CHKD
X1		15 PF TO C15 ADD	3-31-77			G.D.L.
X2		ON R16 TO 750 ADD K ON NOTE ALL RESISTORS WAS 1/2W	4-27-77			G.D.L.



NOTE:
UNLESS OTHERWISE SPECIFIED
ALL RESISTOR VALUES ARE OHMS, 1/8W
* CAPACITORS C6 & C7 ARE ETCHED
ON BOARD
+ Q1, Q2 & Q3 ARE TYPE 3N200 OR
SELECTED 40841

LAST SYMBOL	MISSING SYMBOL
C31	
L4	
Q3	
R21	
T8	

GPR110B		
QTY / UNIT	MODEL USED ON	ASS'Y NO.
APPLICATION		
CODE		

NOTICE TO PERSONS RECEIVING THIS DRAWING
THE TECHNICAL MATERIEL CORPORATION claims proprietary right in the material disclosed herein. This drawing is issued in confidence for engineering information only and may not be reproduced or used to manufacture anything shown hereon without permission from THE TECHNICAL MATERIEL CORPORATION to the user. This drawing is loaned for mutual assistance and is subject to recall at any time.

QTY. REQ.	ITEM	PART NO.	DESCRIPTION	SYMBOL
LIST OF MATERIAL				
THE TECHNICAL MATERIEL CORP. MAMARONECK, NEW YORK				
SCHEMATIC, DIAGRAM HF, IF				
MATERIAL		SIZE CODE IDENT. NO. DWG NO.		
FINISH		C 82679 CK 2154		ISSUE X2
SCALE		SHEET OF		

UNLESS OTHERWISE SPECIFIED
DIMENSIONS ARE IN INCHES
AND INCLUDE CHEMICALLY APPLIED
OR PLATED FINISHES

TOLERANCES ON

DECIMALS	FRACTIONS
.X ± .05	± 1/64
.XX ± .01	ANGLES
.XXX ± .005	± 0° -30'

FINAL APPROVAL	DATE
MECH. DES.	DATE
ELECT. DES.	DATE
CHECKED	DATE
DRAWN G.D.L.	DATE 2-12-77