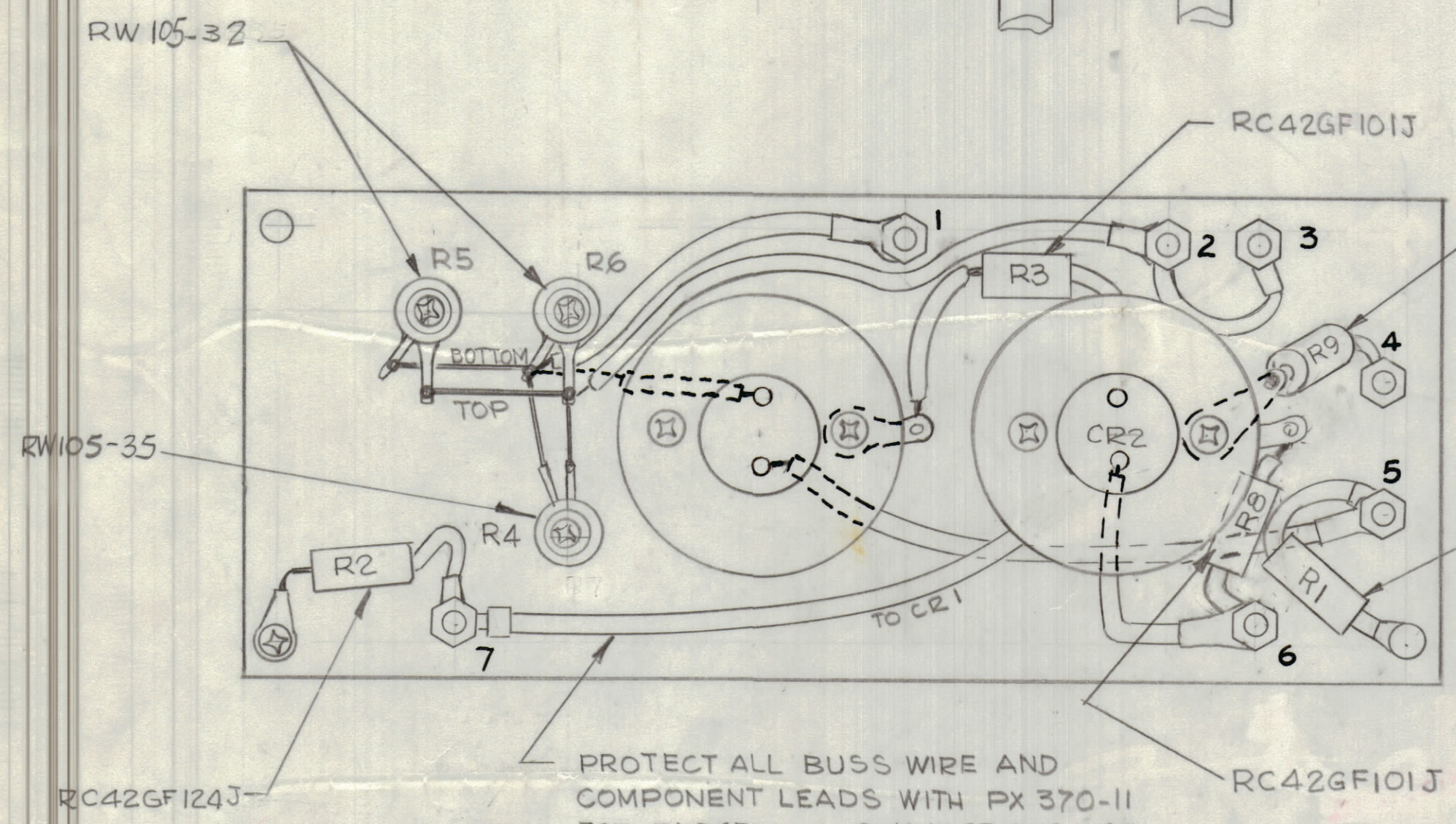
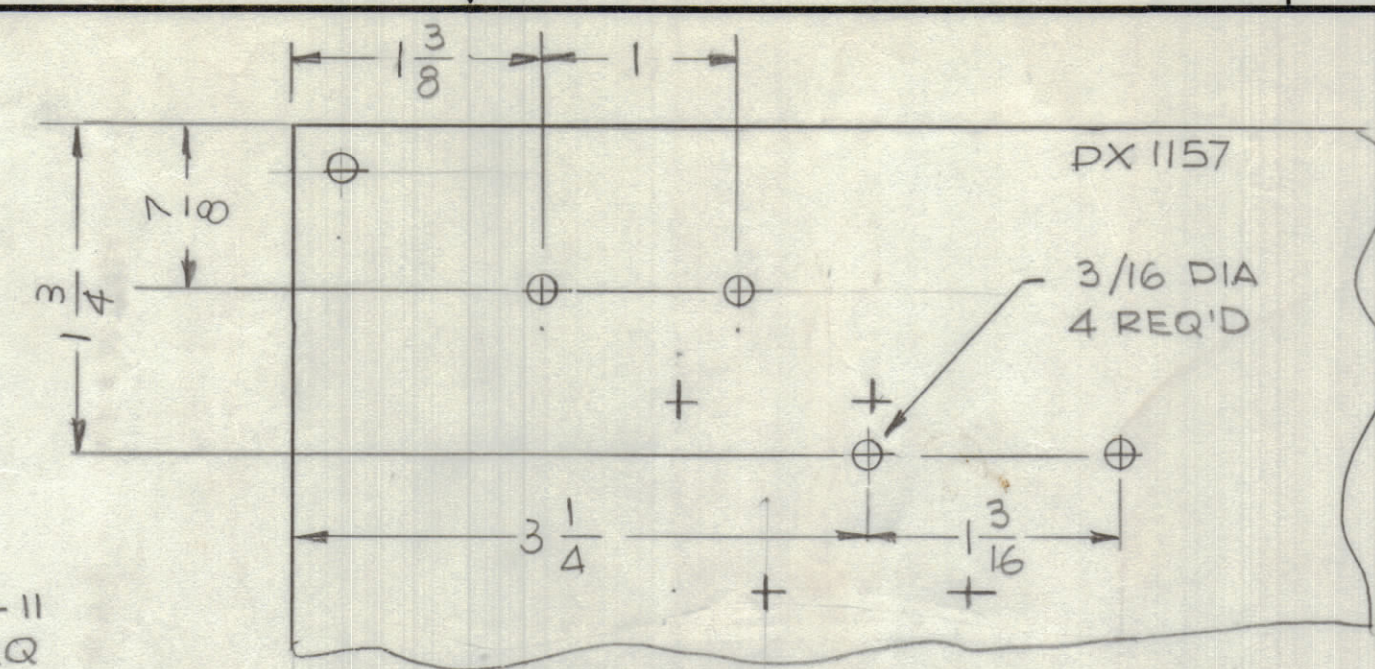
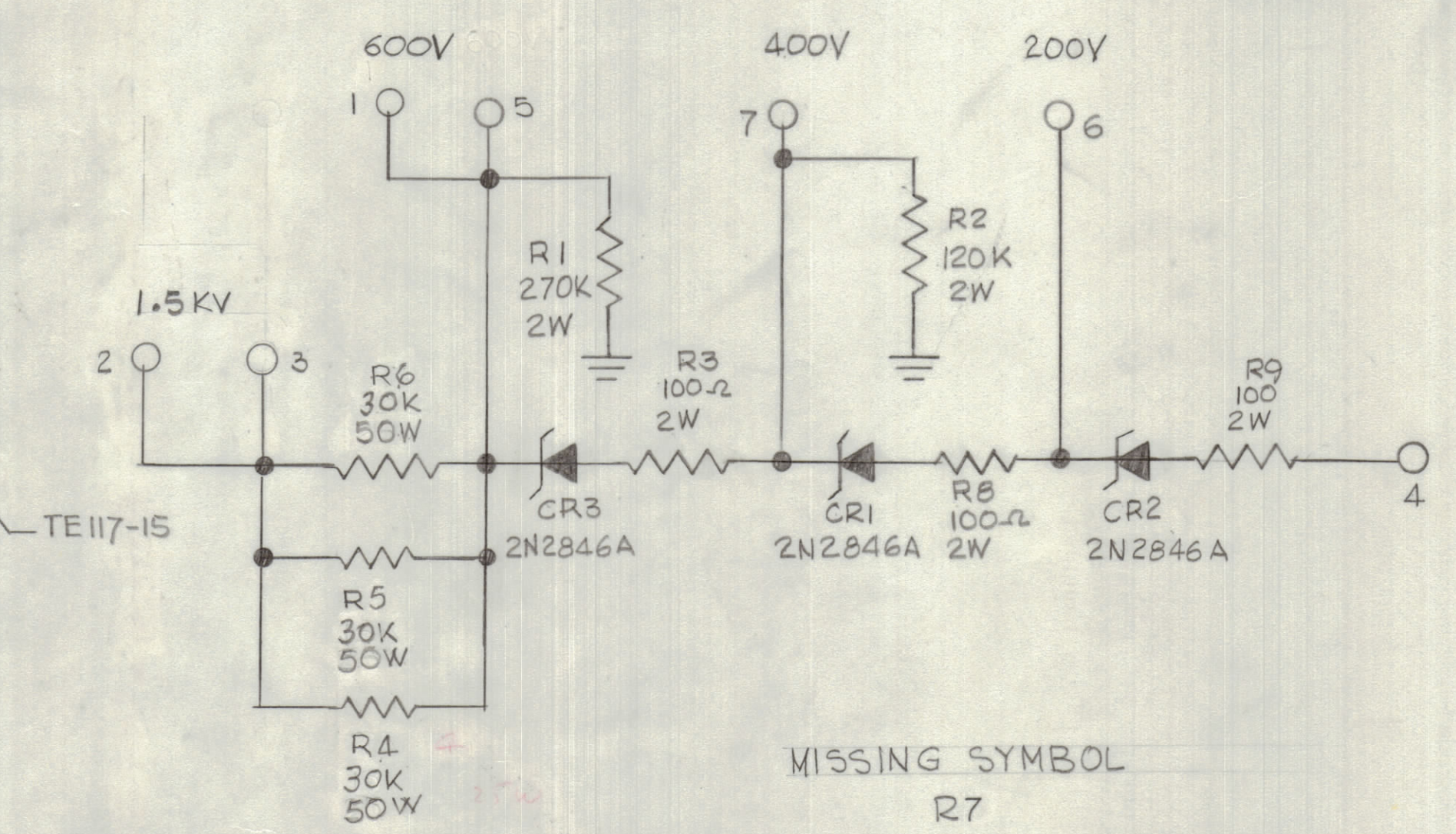
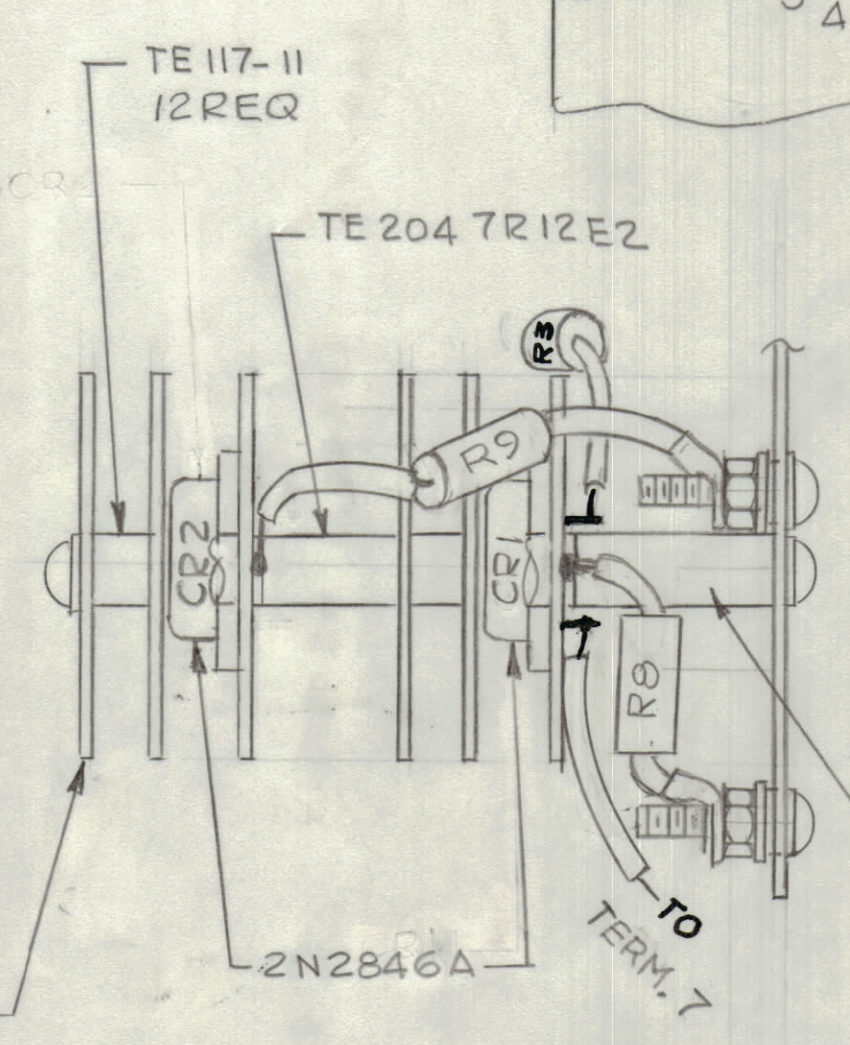


REVISIONS					DATE	APPROVED
E.M.N.O.	DRAFT	CHKD	ZONE	LTR	DESCRIPTION	
	CL				ORIGINAL RELEASE FOR PRODUCTION	3/11/76
21753	Mod			A	SEE SHEET 1	1-8-80
21930	Mod			B	R4 Was 15K, 600V and 1.5KV Added	3-23-82
21993	Mod			C	R5 and R6 were 15K	1-11-83

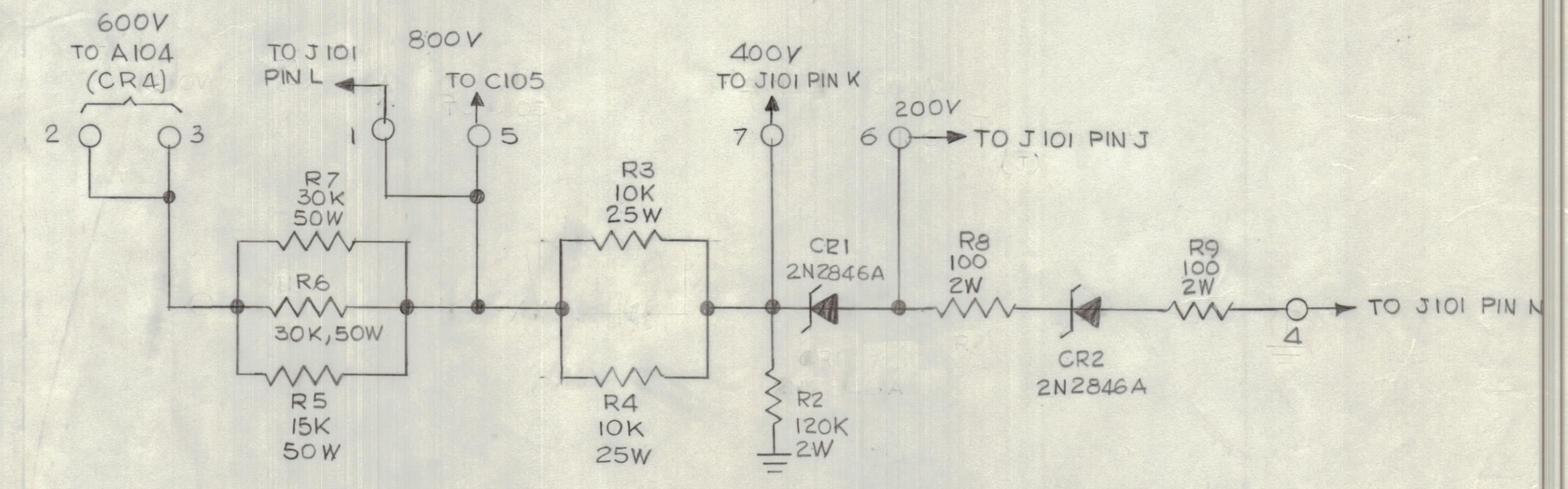
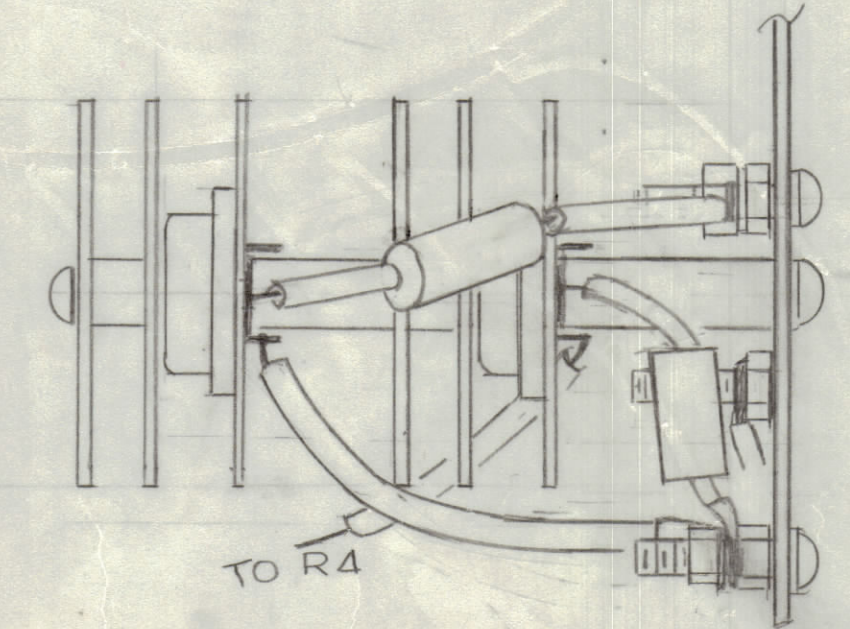
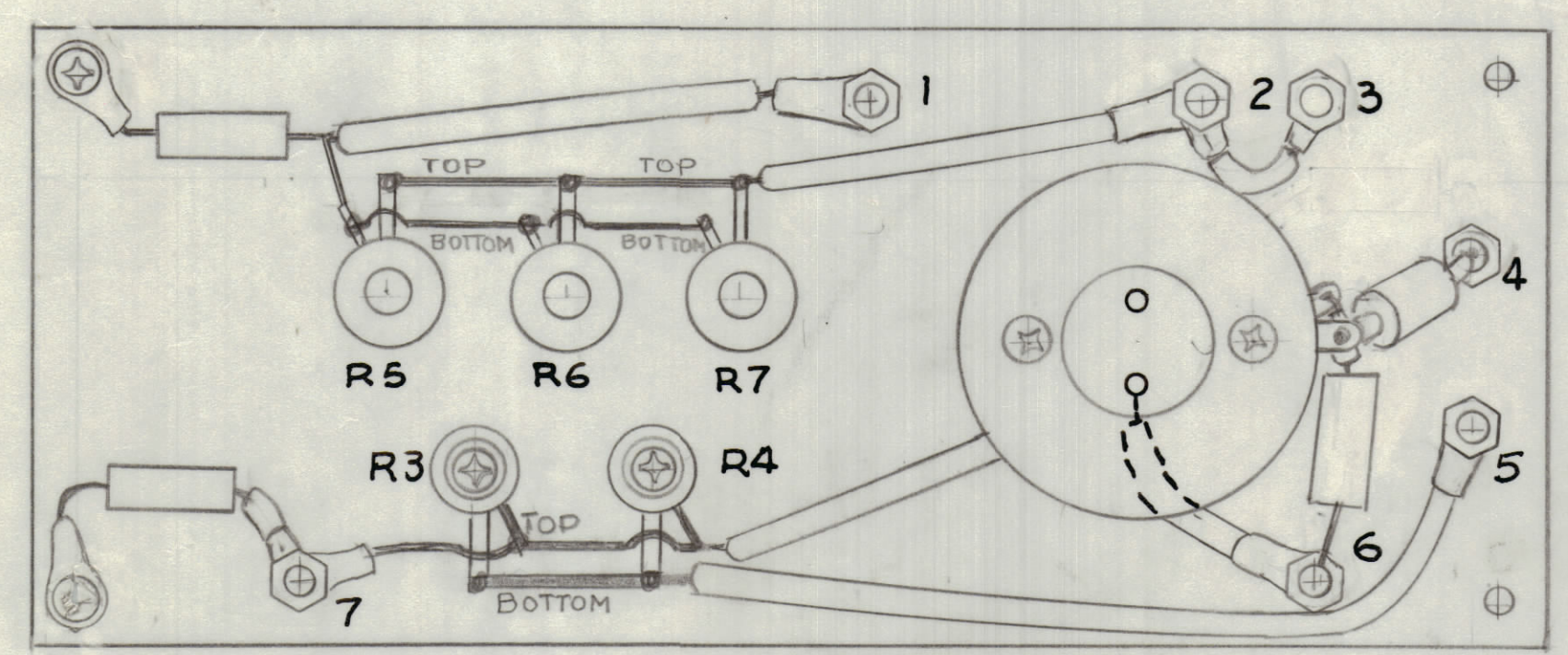
NOTE:
 (4) FOUR 3/16 DIA HOLES MUST BE ADDED TO PX1157, TO MOUNT CR3 R6 AND R5.



PROTECT ALL BUSS WIRE AND COMPONENT LEADS WITH PX 370-11 FOR ELECTRICAL CONNECTIONS USE WL 100-6 AS REQ (SEE PICTORIAL) AND TERMINATE WITH TE 104-4 AS REQ.



MODIFIED ASSEMBLY



BEFORE MODIFICATION

1	KIT-417	
QTY / UNIT	MODEL USED ON	ASS'Y NO.
APPLICATION		
CODE		
NOTICE TO PERSONS RECEIVING THIS DRAWING		
THE TECHNICAL MATERIEL CORPORATION claims proprietary right in the material disclosed hereon. This drawing is issued in confidence for engineering information only and may not be reproduced or used to manufacture anything shown hereon without permission from THE TECHNICAL MATERIEL CORPORATION to the user. This drawing is loaned for mutual assistance and is subject to recall at any time.		

QTY. REQ.	ITEM	PART NO.	DESCRIPTION	SYMBOL
LIST OF MATERIAL				
UNLESS OTHERWISE SPECIFIED DIMENSIONS ARE IN INCHES AND INCLUDE CHEMICALLY APPLIED OR PLATED FINISHES				
TOLERANCES ON				
DECIMALS	FRACTIONS			
X ± .05	± 1/64			
.XX ± .01	ANGLES			
.XXX ± .005	± 0° -30'			
MATERIAL				
FINISH				
THE TECHNICAL MATERIEL CORP. MAMARONECK, NEW YORK				
DIAGRAM, SCHEMATIC DISTORTION & POWER MODIFICATION KIT 417				
SIZE	CODE	IDENT NO.	DWG NO.	ISSUE
D	82679	CK2126		C
SCALE				
				SHEET 2 OF 2

CK2126

A