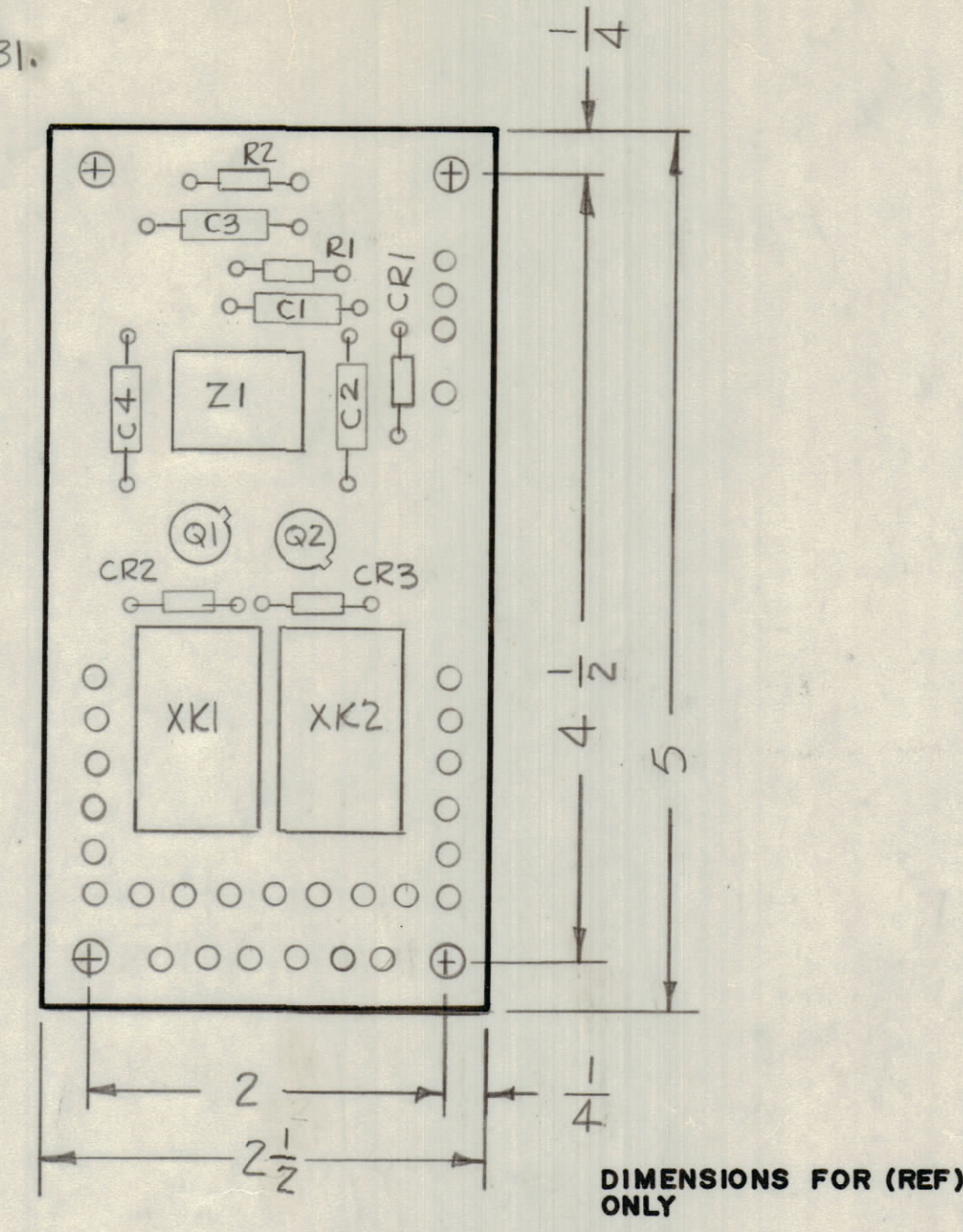


REVISIONS						DATE	APPROVED
E.M.N.O	DRAFT	CHKD	ZONE	LTR	DESCRIPTION		
21756	RU	FB		A	K3-1,2,3A Revised. Term 32 & 33 Reversed. Line 15-35 Deleted	12-18	X

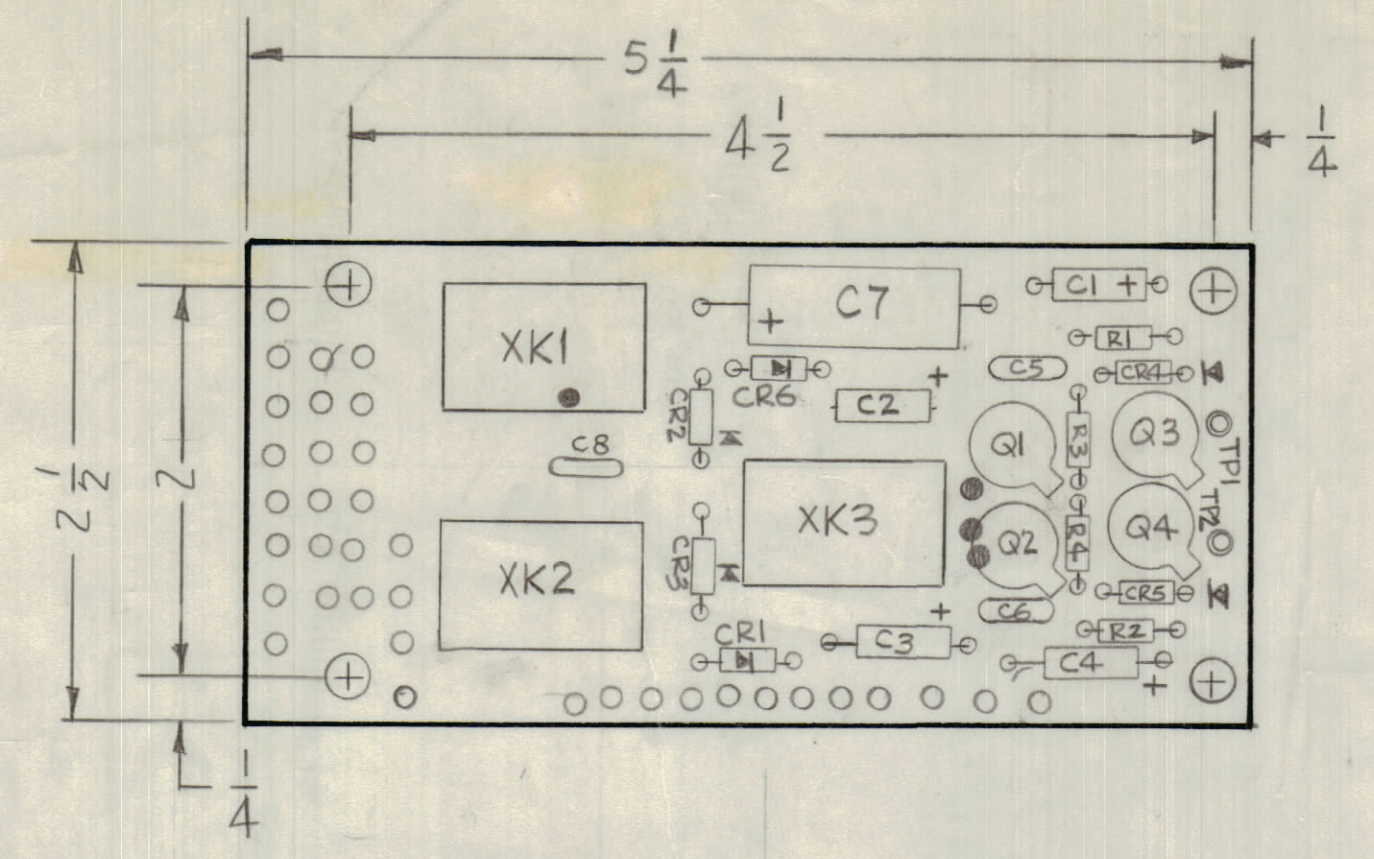
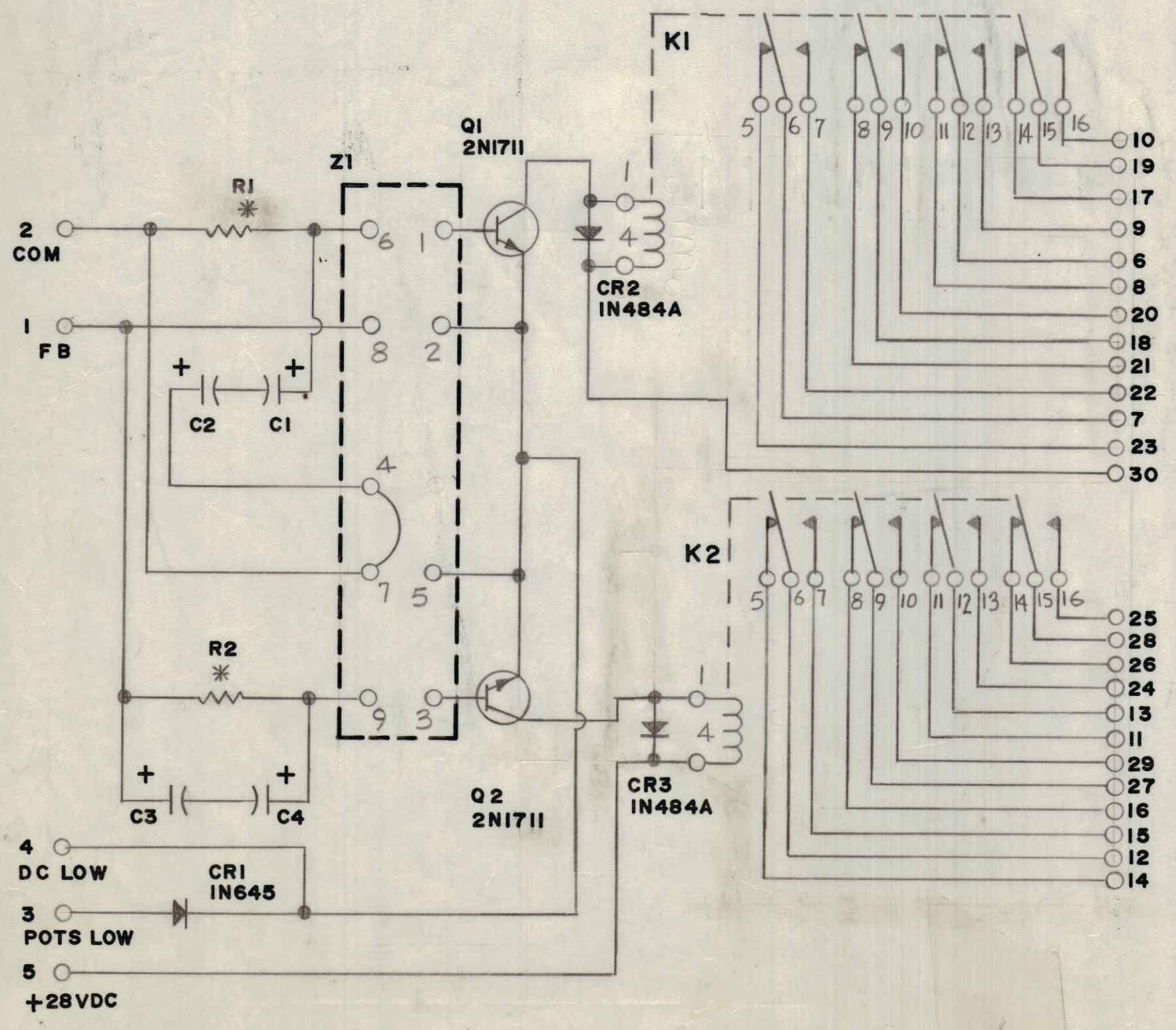
( REFERENCE AZ117 )

**DO NOT USE**

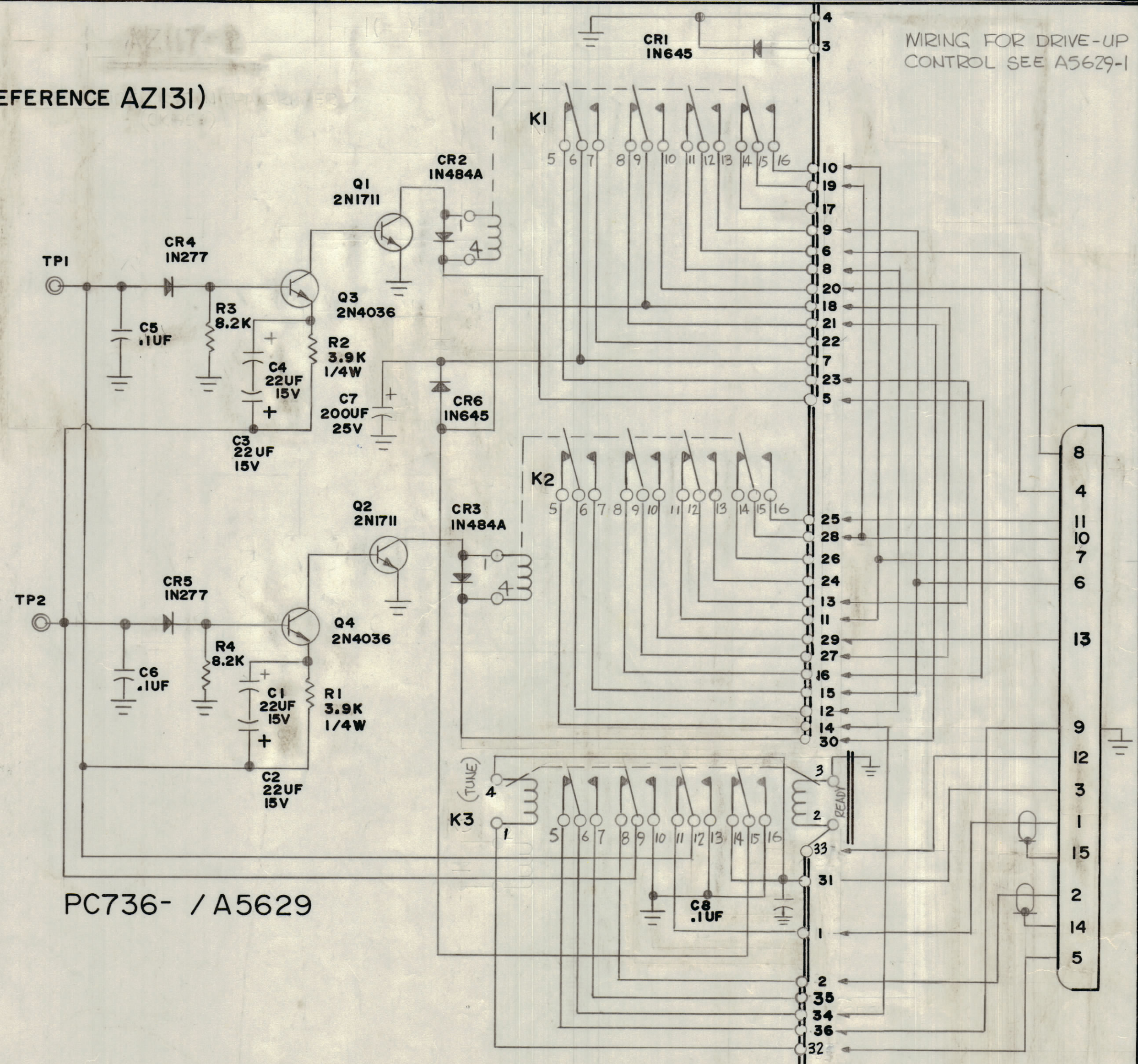
- 1. FOR NEW APPLICATIONS SEE AZI31.
- 2. FOR SPARE PARTS SEE KIT4-08.



NOTE:  
UNLESS SPECIFIED OTHERWISE  
1. ALL CAPACITORS ARE 22uf, 15V  
2. ALL RESISTORS ARE 1/4 WATT  
\*. NOMINAL VALUE - 12KΩ  
ACTUAL VALUE SET AT FACTORY  
DURING CALIBRATION

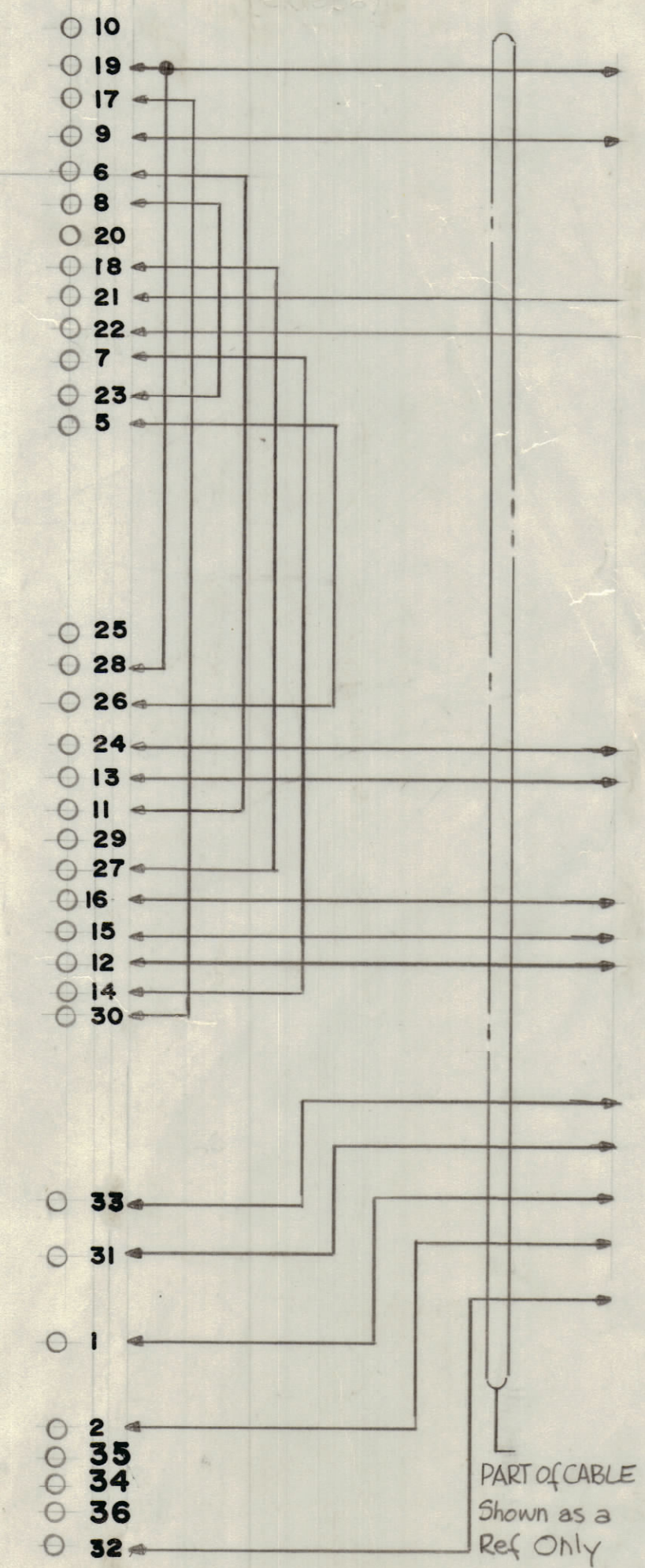


( REFERENCE AZI31 )



WIRING FOR DRIVE-UP CONTROL SEE A5629-1

WIRING FOR LOAD CAPACITOR ASSY SEE A5629-2



SAME AS AZ117-2

QTY / UNIT	MODEL USED ON	ASS'Y NO.
1	AZ131	
APPLICATION		
CODE		
MATERIAL		
FINISH		

UNLESS OTHERWISE SPECIFIED DIMENSIONS ARE IN INCHES AND INCLUDE CHEMICALLY APPLIED OR PLATED FINISHES

TOLERANCES ON  
DECIMALS .X ± .05  
.XX ± .01  
.XXX ± .005

FRACTIONS ± 1/64  
ANGLES ± 0° - 30'

QTY. REQ.	ITEM	PART NO.	DESCRIPTION	SYMBOL
LIST OF MATERIAL				
THE TECHNICAL MATERIEL CORP. MAMARONECK, NEW YORK				
DIAGRAM SCHEMATIC, NETWORK DISCRIMINATOR				
SIZE	CODE IDENT NO.	DWG NO.	ISSUE	
D	82679	CK2111	A	
SCALE	SHEET			OF

NOTICE TO PERSONS RECEIVING THIS DRAWING  
THE TECHNICAL MATERIEL CORPORATION claims proprietary right in the material disclosed hereon. This drawing is issued in confidence for engineering information only and may not be reproduced or used to manufacture anything shown hereon without permission from THE TECHNICAL MATERIEL CORPORATION to the user. This drawing is loaned for mutual assistance and is subject to recall at any time.