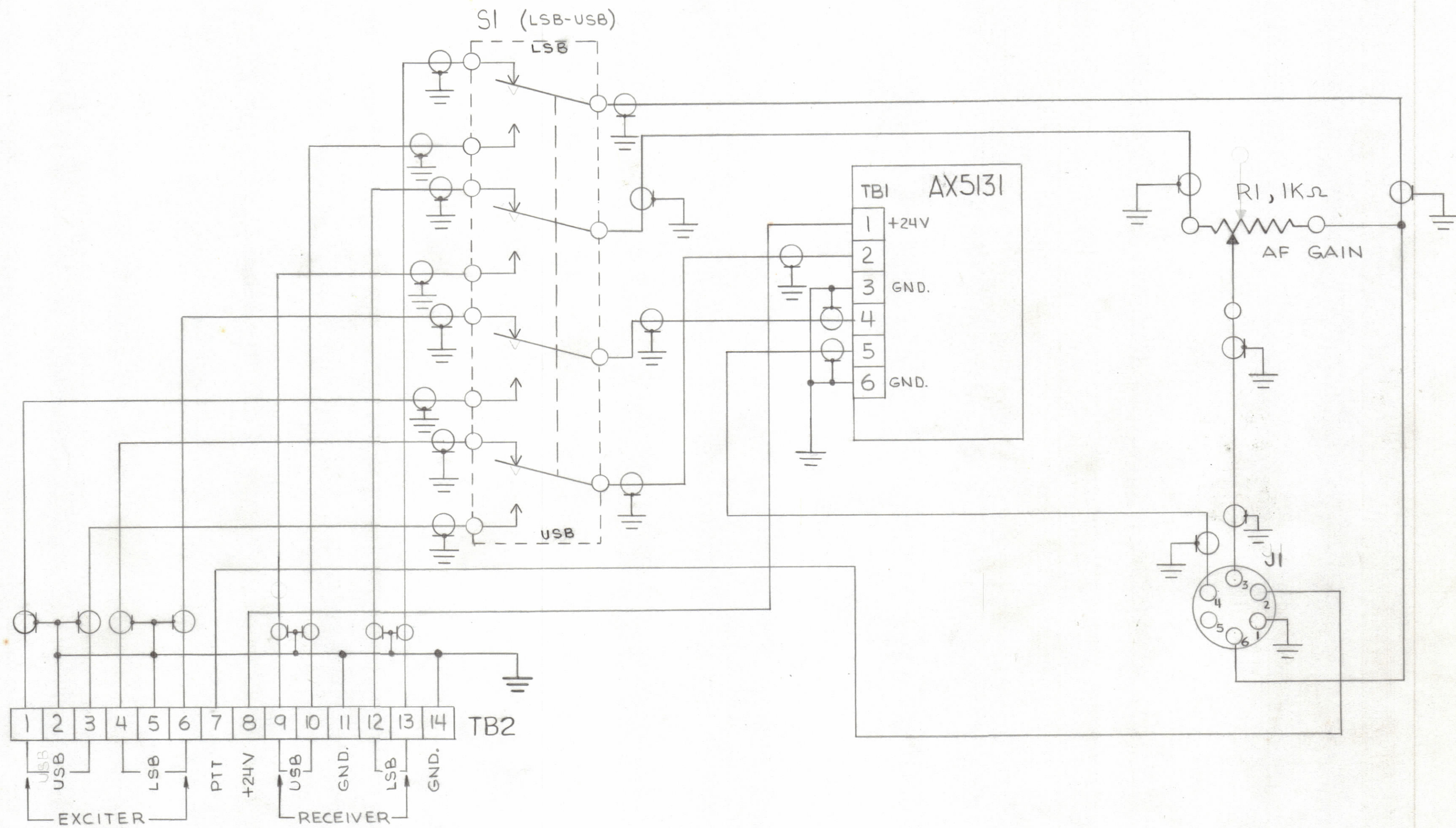


REVISIONS						
ZONE	LTR	DESCRIPTION	DATE	E.M.N.NO	DRAFT	CHKD APPD
	X	EXP. RELEASE	6-10-75		JD	
	Ø	ORIGINAL RELEASE FOR PRODUCTION	9/15/75		CL	



1	AX5199 JS	AX
QTY / UNIT	MODEL USED ON	ASS'Y NO.
APPLICATION		
CODE		
NOTICE TO PERSONS RECEIVING THIS DRAWING THE TECHNICAL MATERIEL CORPORATION claims proprietary right in the material disclosed herein. This drawing is issued in confidence for engineering information only and may not be reproduced or used to manufacture anything shown herein without permission from THE TECHNICAL MATERIEL CORPORATION to the user. This drawing is loaned for mutual assistance and is subject to recall at any time.		

UNLESS OTHERWISE SPECIFIED DIMENSIONS ARE IN INCHES AND INCLUDE CHEMICALLY APPLIED OR PLATED FINISHES

TOLERANCES ON

DECIMALS	FRACTIONS
.X ± .05	± 1/64
.XX ± .01	ANGLES ± 0° -30'
.XXX ± .005	

QTY. REQ.	ITEM	PART NO.	DESCRIPTION	SYMBOL
LIST OF MATERIAL				
FINAL APPROVAL <i>JD</i> DATE 9/10/75 MECH. DES. <i>JD</i> DATE 6-10-75 ELECT. DES. DATE CHECKED DATE DRAWN <i>JD</i> DATE 6-10-75				
THE TECHNICAL MATERIEL CORP. MAMARONECK, NEW YORK DIAGRAM SCHEMATIC HANDSET PANEL				
SIZE	CODE	IDENT. NO.	DWG NO.	ISSUE
C	82679	CK2108		Ø
SCALE				SHEET 1 OF 1