

IF IT IS FOUND DESIRABLE TO CHANGE ANY TOLERANCE OR OTHER DETAIL SPECIFIED ON THIS DRAWING NOTIFY THE PURCHASER PROMPTLY.

MAXIMUM ALLOWABLE TOLERANCES HAVE BEEN DETERMINED AND DEVIATIONS WILL BE CAUSE FOR REJECTION. REMOVE ALL BURRS AND SHARP EDGES

CK-205

USED ON

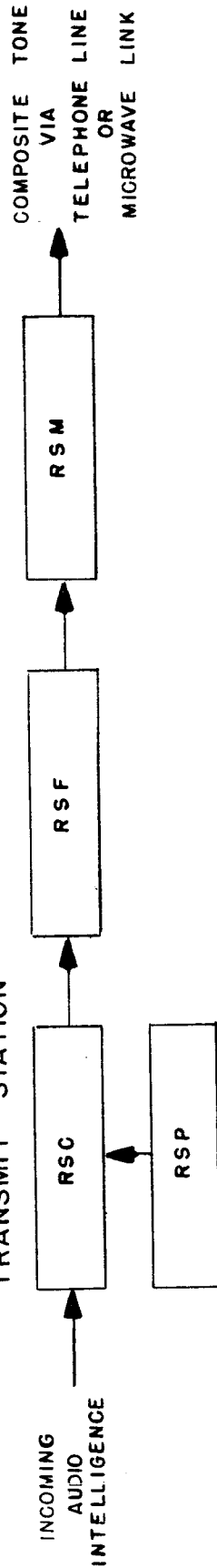
DATE

PROJECT NO.

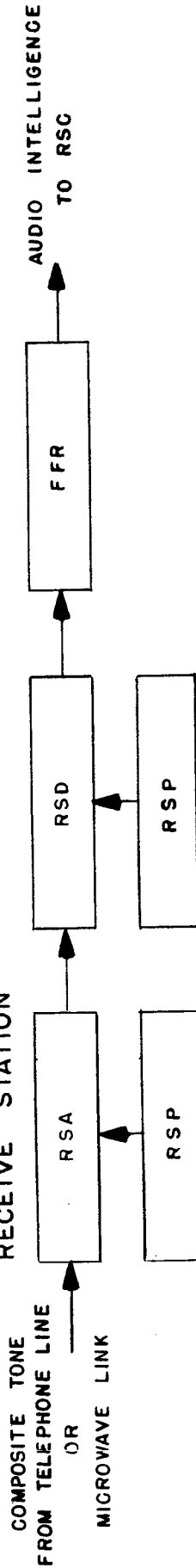
MODEL

ASS'Y. NO.

TRANSMIT STATION



RECEIVE STATION



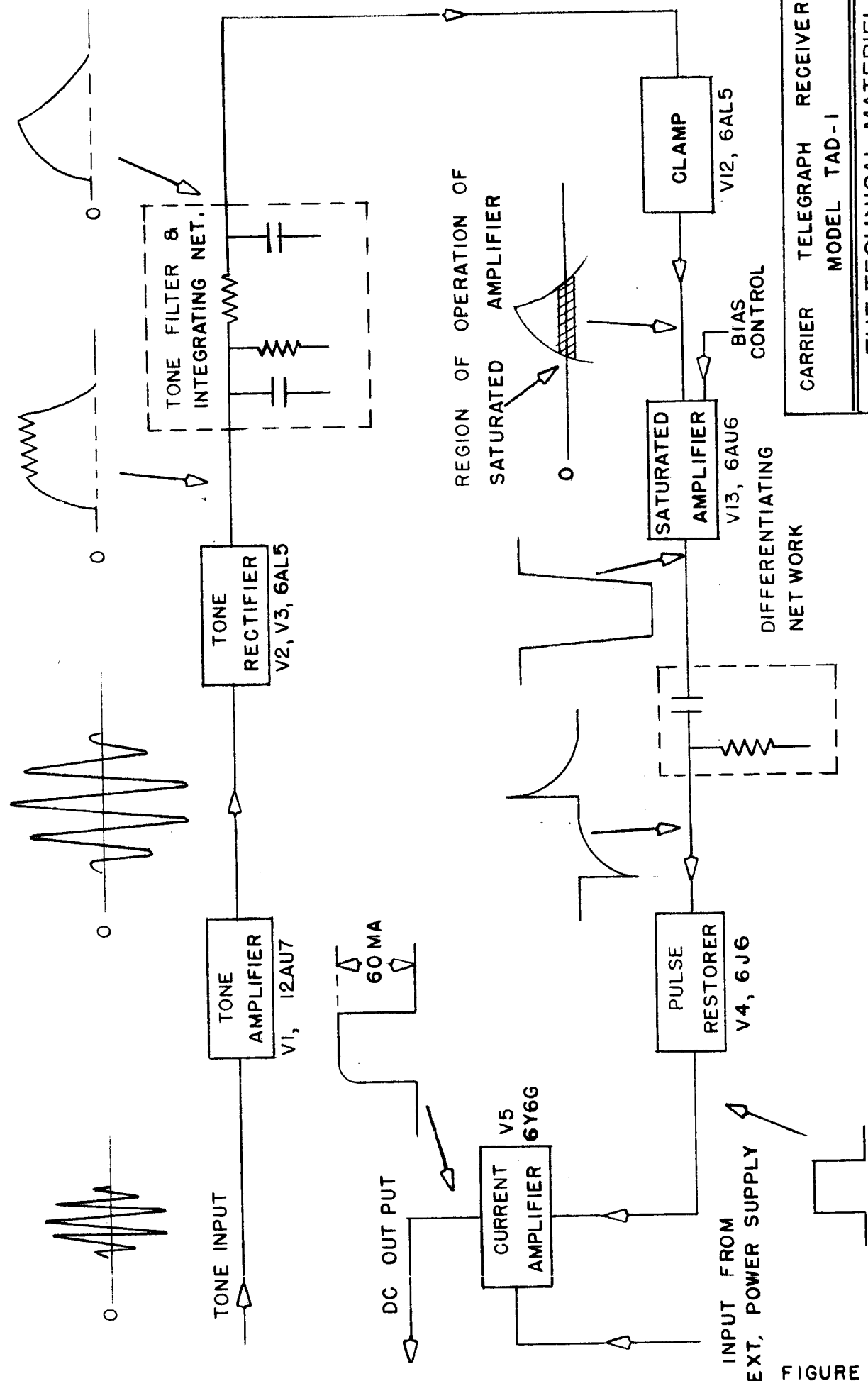
BLOCK DIAGRAM

REQ. ITEM	PART NO.	DESCRIPTION	SYMBOL
		THE TECHNICAL MATERIEL CORP. MAMARONECK, NEW YORK	
		STOCK SIZE	
		MATERIAL	
		WEIGHT PER PC.	
		TYPE & TEMPER	
		HEAT TREAT. SPEC.	
		FINISH & SPEC. NO.	
		DRAWN <i>A. J. J.</i> ELEC. DES. APP. MECH. DES. APP.	
		CHECKED <i>A. J. J.</i> FINAL APPROVAL	

REMOTE SYSTEM RECEIVER, FIG. 1-2

ISSUE	ITEM	CHANGED FROM	DATE	CN. NO.	DRAFTS	CHECKER	ENG. APP.
TOLERANCES							
SCALE							
DRILL, PUNCH, COMMERCIAL STOCK SIZES AND MANUFACTURERS TOLERANCES ARE NOT INCLUDED.							
ALL OTHERS	DEC. DIM. ±						
	FRAC. DIM. ±						
	ANGULAR DIM. ±						

CK-100

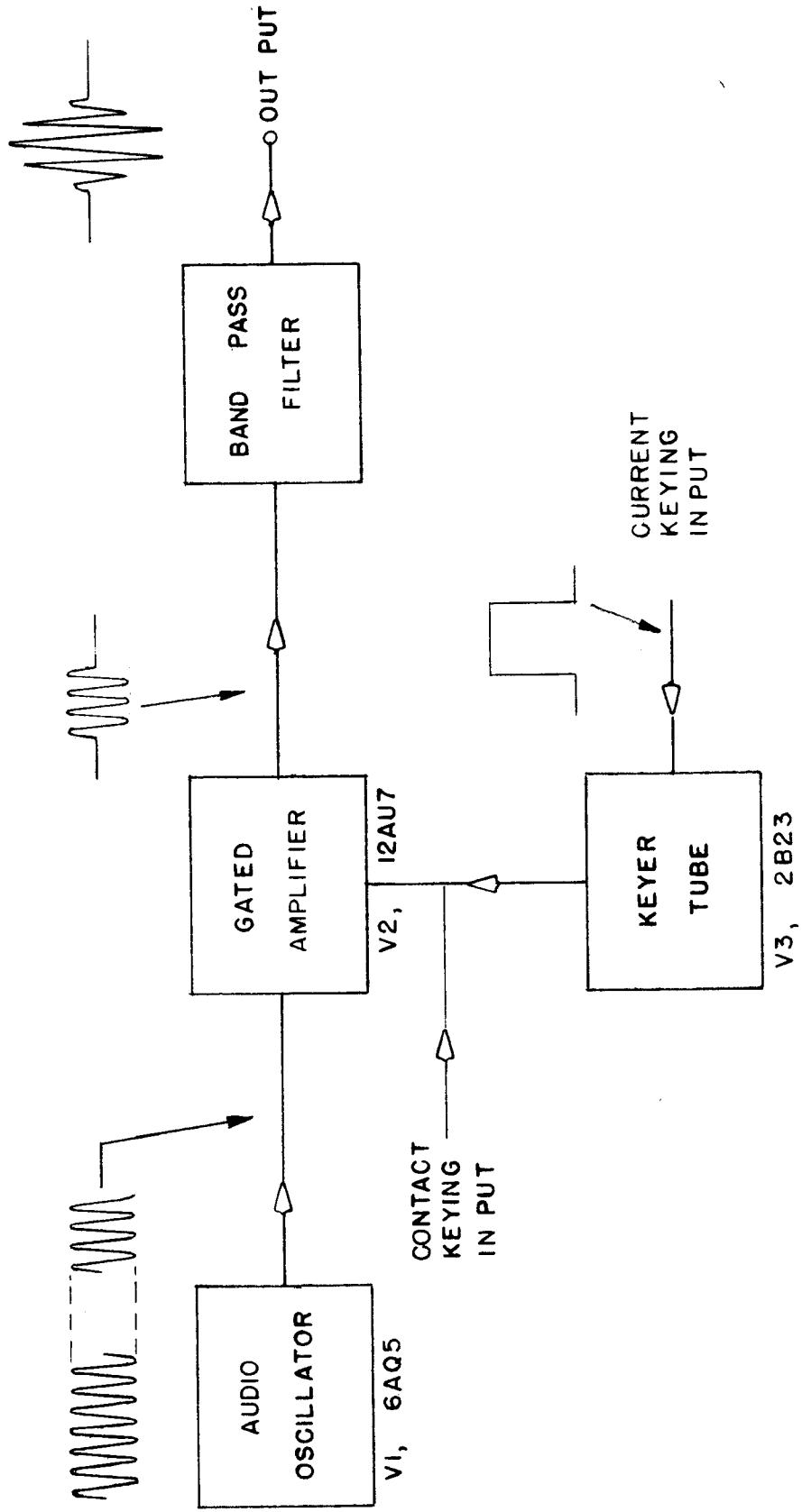


CARRIER TELEGRAPH RECEIVER	
MODEL TAD-1	
THE TECHNICAL MATERIEL CORPORATION	
MAMARONECK, NEW YORK	
DATE	2-19-51
DRAWN	<i>AWD</i>
CHECKED	<i>H.R.B.</i>
AFTD.	<i>AW</i>
SHEET	1 OF 1
NO	CK-208

WAS AEBD06  
11/27/53

FIGURE 2-3 PAGE 2-11

CK-214



BLOCK DIAGRAM			
CARRIER TELEGRAPH TRANSMITTER			
MODEL TAK-1			
THE TECHNICAL MATERIEL CORPORATION			
MAMARONECK, NEW YORK			
DATE	2-21-51	CHKD.	AKB
DRAWN	JAS	APPD.	JW
SHEET	1 OF 1	NO	CK-214

WAS AEB007  
126/54

CK-218

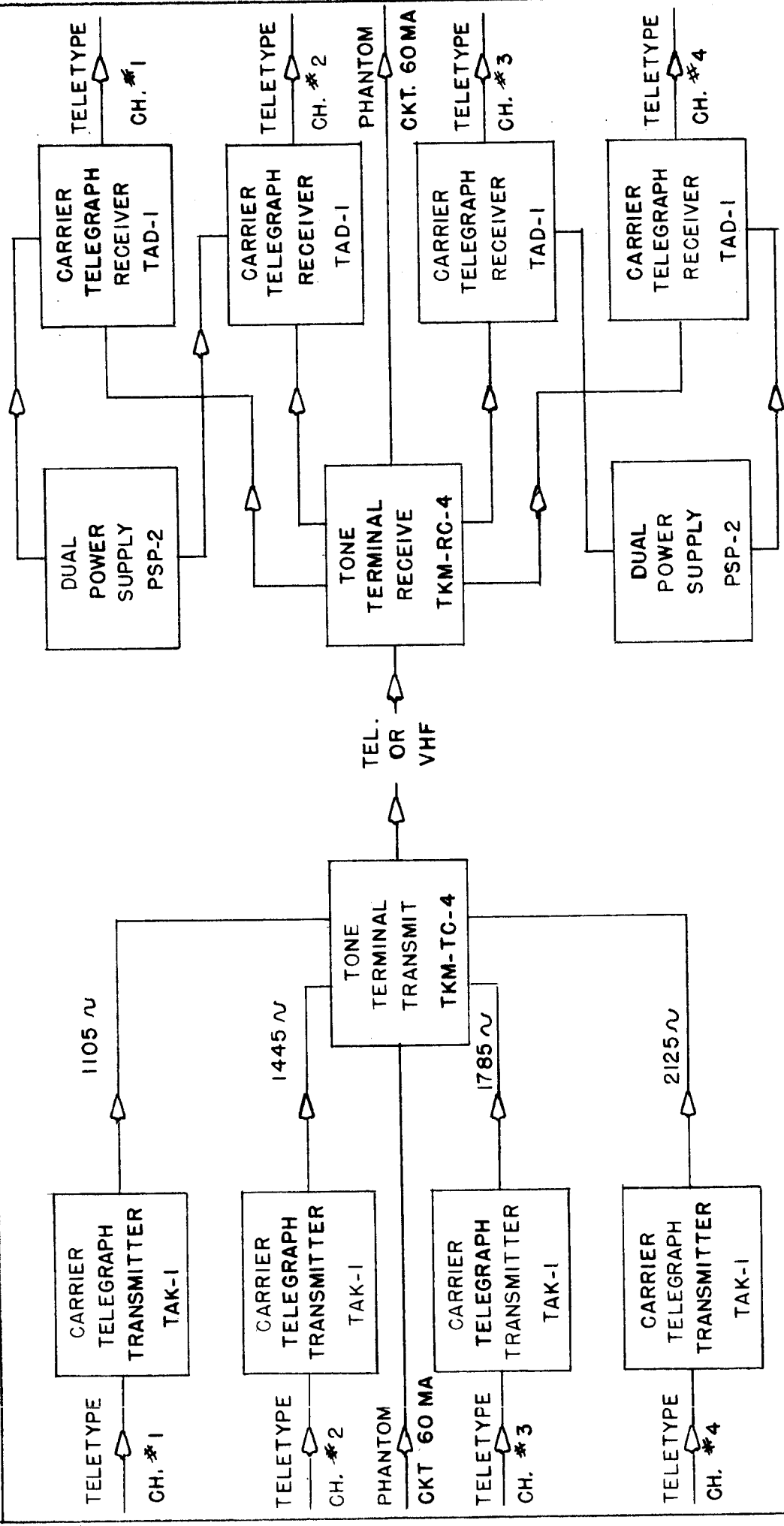
CARRIER TELEGRAPH RECEIVER MODEL TAD-1 CHANNEL NO. 1
CARRIER TELEGRAPH RECEIVER MODEL TAD-1 CHANNEL NO. 2
tone TERMINAL RECEIVE MODEL TKM-RC-4
CARRIER TELEGRAPH RECEIVER MODEL TAD-1 CHANNEL NO. 3
CARRIER TELEGRAPH RECEIVER MODEL TAD-1 CHANNEL NO. 4
DUAL POWER SUPPLY MODEL PSP-2
DUAL POWER SUPPLY MODEL PSP-2

DATE 3-27-51	RACK ARRANGEMENT TKM-4 RECEIVING TERMINAL	THE TECHNICAL MATERIEL CORPORATION MAMARONECK, NEW YORK	
DRN. <i>JDD</i>		SHEET OF	NO. AMM022
CHKD. <i>APP</i>			
APPD. <i>fu</i>			

SUPERSEDED BY CK-218



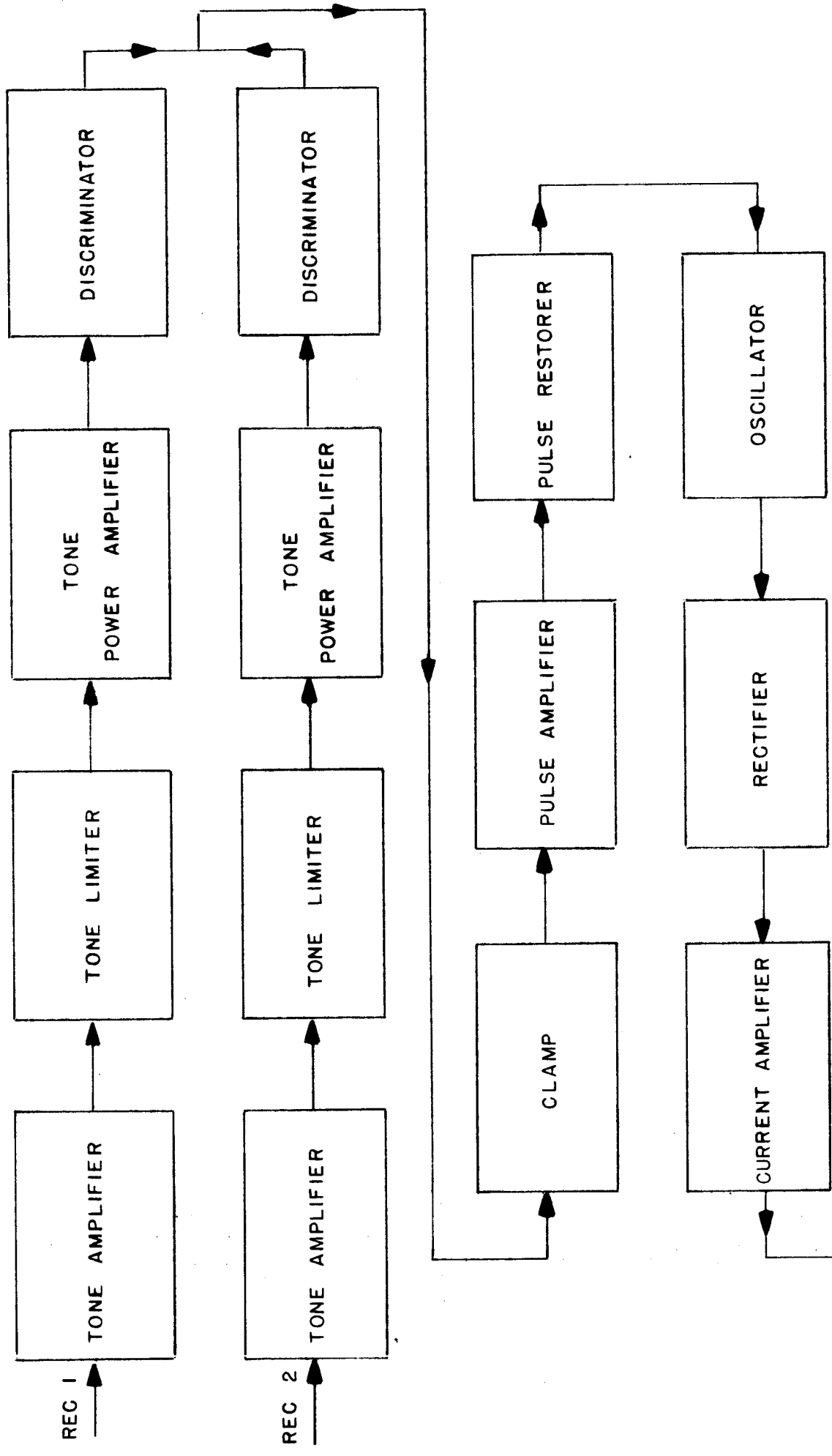
CK-2210



FOUR CHANNEL TONE SYSTEM	
MODEL TKM-4	
THE TECHNICAL MATERIEL CORPORATION MAMARONECK, NEW YORK	
DATE	CHKD.
2-27-51	GRB
DRAWN	APPD.
	MA
SHEET	NO
OF	CK-226

WAS AEBOOS  
2/1/54

CK-236



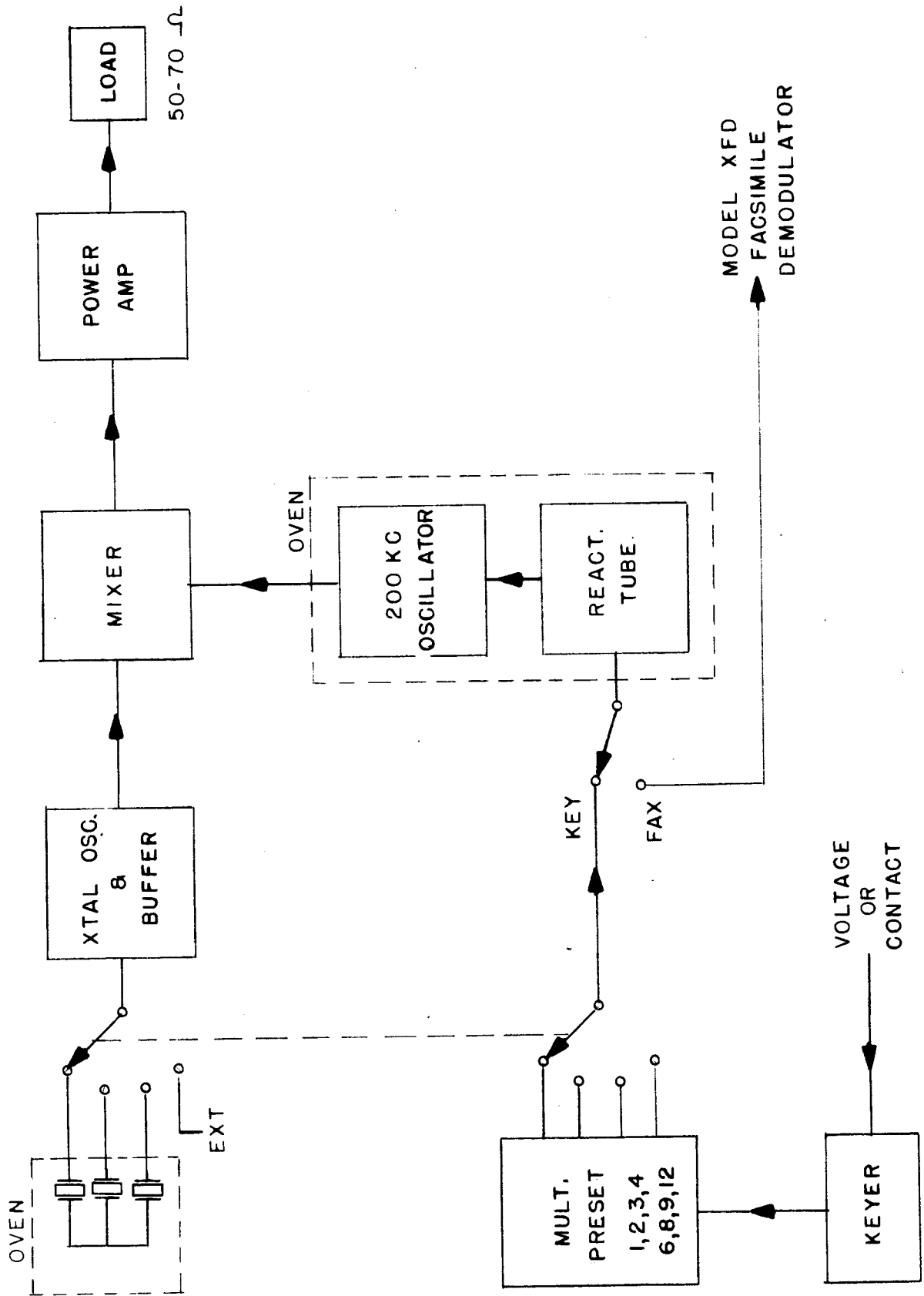
TO EXTERNAL BATTERY  
8 LOAD.

Model CFA  
65

FUNCTIONAL BLOCK DIAGRAM.  
FIGURE 2-1

CK-236

CK-238



WAS AEB010 2/11/54

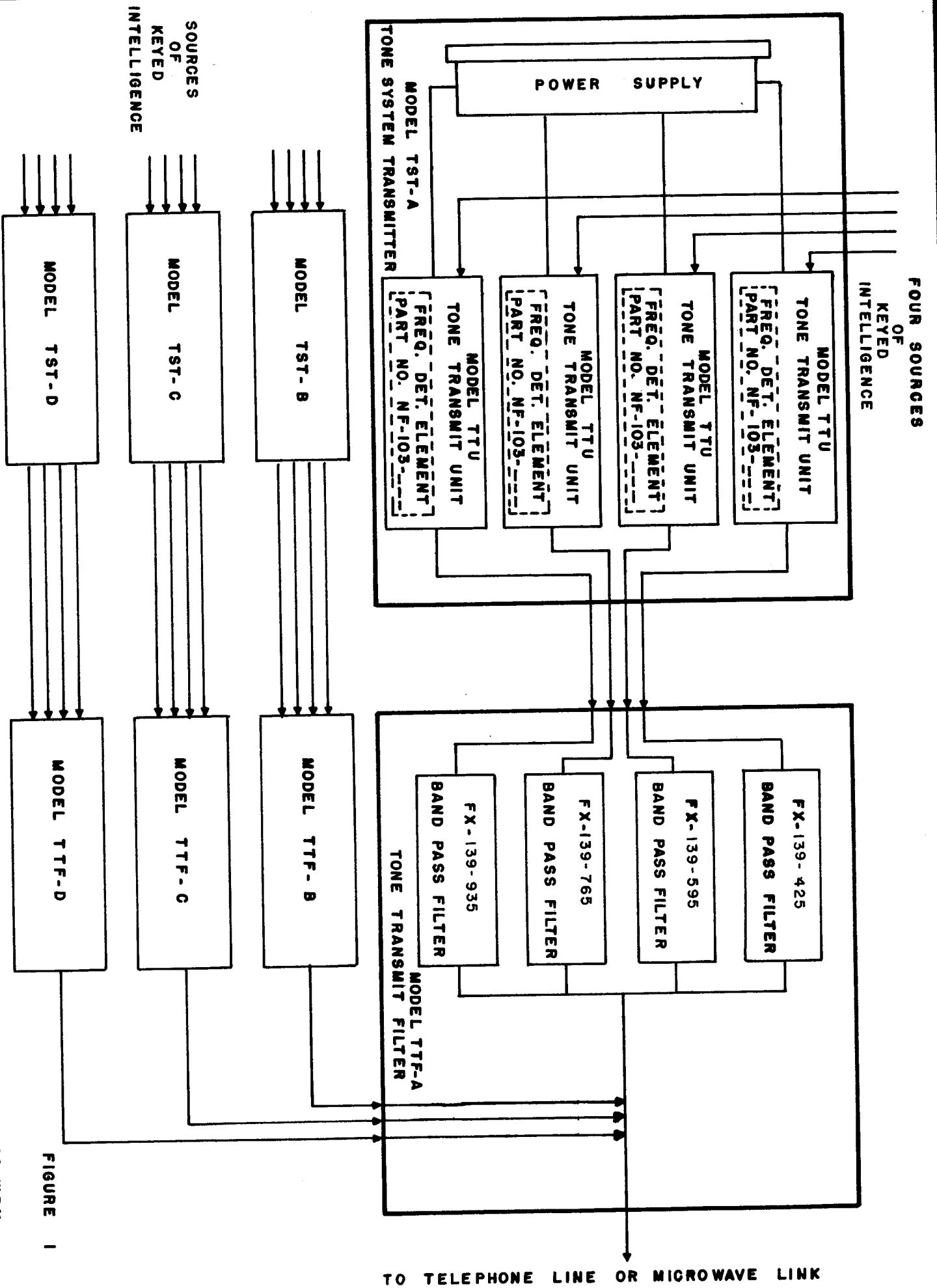
DATE	10-5-51
DRN.	JADe
CHKD.	[Signature]
APPD.	[Signature]

BLOCK DIAGRAM  
 FIGURE 2-1  
 MODEL XFK

THE TECHNICAL MATERIEL  
 CORPORATION  
 MAMARONECK, NEW YORK

SHEET OF NO. CK-238



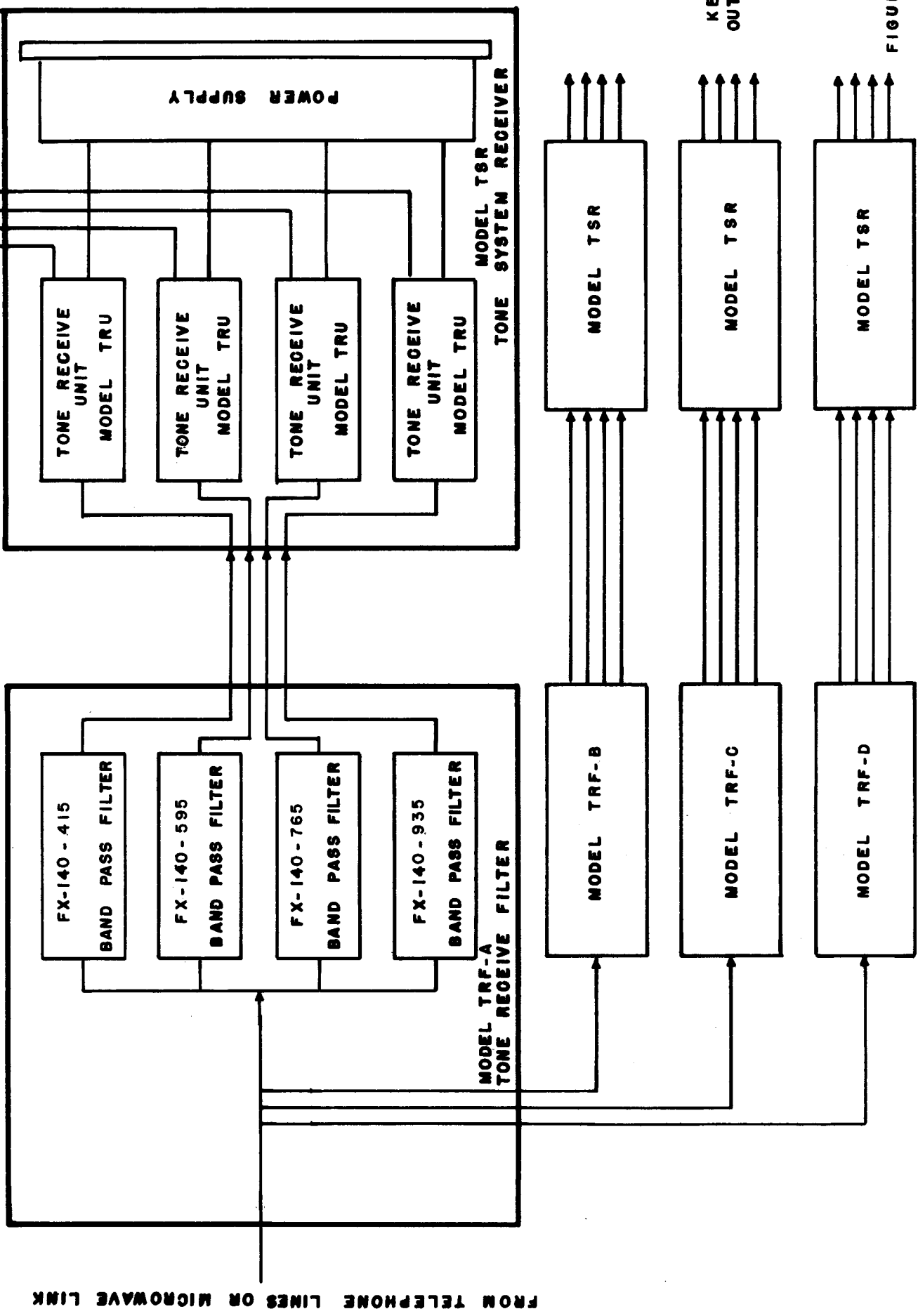


A FUNCTIONAL BLOCK DIAGRAM OF THE COMPLETE IS TONE 60 W.P.M. TRANSMITTING TERMINAL, MODEL TIS (TONE INTELLIGENCE SYSTEM)

FIGURE 1

CK-253A

KEYED OUTPUT



FROM TELEPHONE LINES OR MICROWAVE LINK

FIGURE 2  
A FUNCTIONAL BLOCK DIAGRAM OF THE COMPLETE 16 TONE 60 WPM RECEIVING TERMINAL, MODEL T18 (TONE INTELLIGENCE SYSTEM).

IF IT IS FOUND DESIRABLE TO CHANGE ANY TOLERANCE OR OTHER DETAIL SPECIFIED ON THIS DRAWING NOTIFY THE PURCHASER PROMPTLY.

MAXIMUM ALLOWABLE TOLERANCES HAVE BEEN DETERMINED AND DEVIATIONS WILL BE CAUSE FOR REJECTION. REMOVE ALL BURRS AND SHARP EDGES

CK-260

A

USED ON

DATE

ASS'Y. NO.

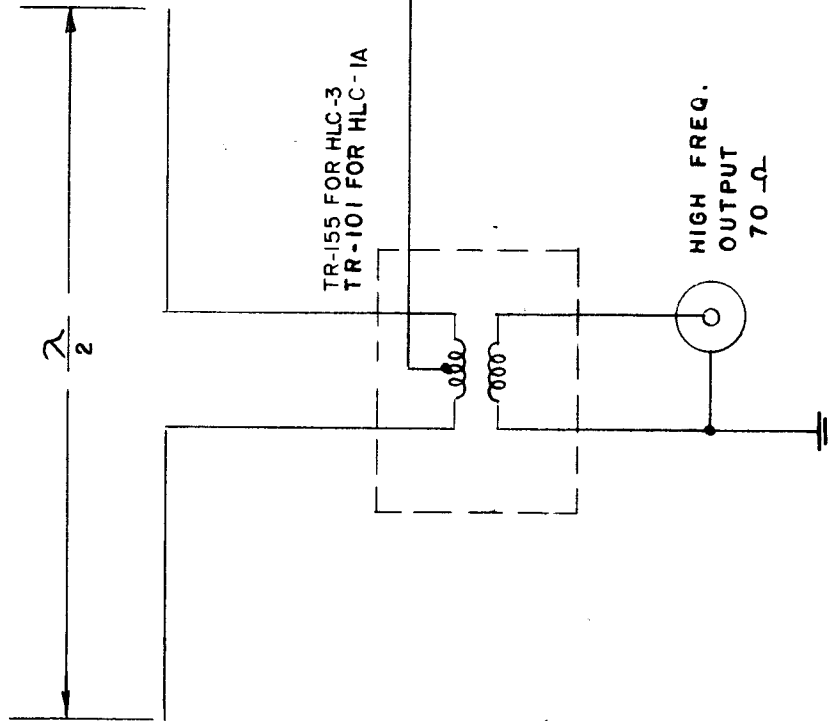
PROJECT NO.

MODEL

321

HLC

9-13-54



REQ. ITEM	PART NO.	DESCRIPTION	SYMBOL
		THE TECHNICAL MATERIEL CORP. MAMARONECK, NEW YORK	
STOCK SIZE		SIMPLIFIED DIAGRAM	
MATERIAL	WEIGHT PER PC.	MODEL HLC-1A, HLC-3	
TYPE & TEMPER		<i>Handwritten: 9-13-54</i>	
HEAT TREAT. SPEC.		<i>Handwritten: a/p/3</i>	
FINISH & SPEC. NO.		<i>Handwritten: amp</i>	
		CHECKED	MECH. DES. APP.
			FINAL APPROVAL
			CK-260
			A

ISSUE ITEM	CHANGED FROM	DATE	CN. NO.	DRAFTS	CHECKER	ENG. APP.
A 1	HLC-1A, HLC-3 WAS HLC TR154 WAS TR-042 TR155 ADDED	5/4/64	11361	A.M.C.	<i>Handwritten initials</i>	<i>Handwritten initials</i>
TOLERANCES						
SCALE						
DEC. DIM. ±						
FRAC. DIM. ±						
ANGULAR DIM. ±						
DRILL, PUNCH, COMMERCIAL STOCK SIZES AND MANUFACTURERS TOLERANCES ARE NOT INCLUDED.						

IF IT IS FOUND DESIRABLE TO CHANGE ANY TOLERANCE OR OTHER DETAIL SPECIFIED ON THIS DRAWING NOTIFY THE PURCHASER PROMPTLY.

MAXIMUM ALLOWABLE TOLERANCES HAVE BEEN DETERMINED AND DEVIATIONS WILL BE CAUSE FOR REJECTION. REMOVE ALL BURRS AND SHARP EDGES

CK-274

USED ON

PROJECT NO. ASS'Y. NO. DATE

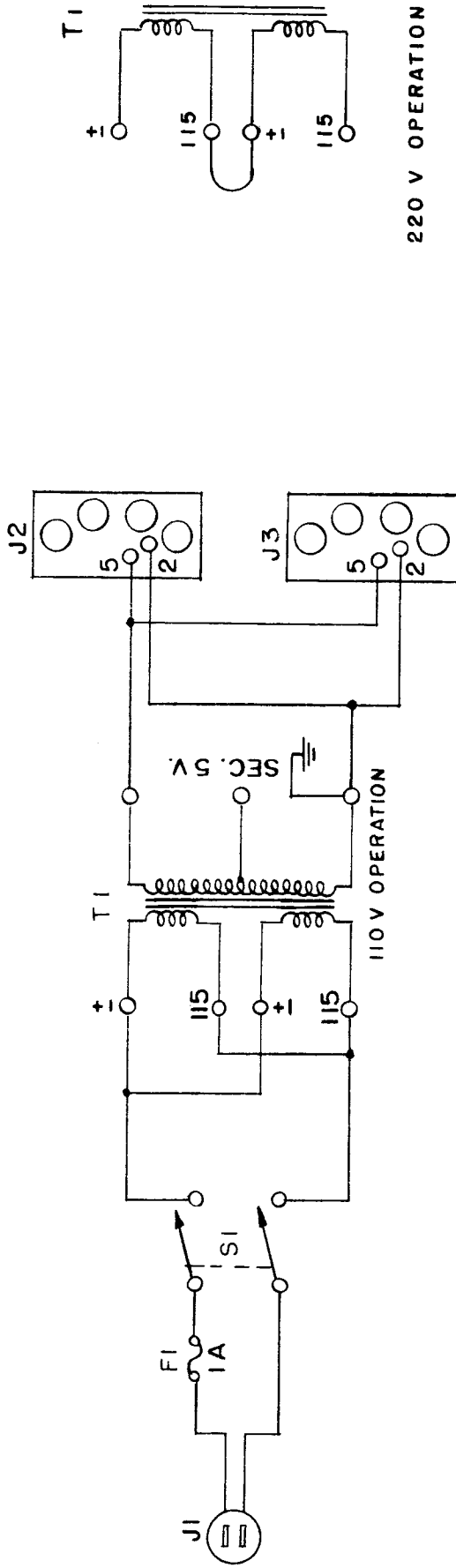
333

A-854

10-15-54

MODEL

FFR-DPH



220 V OPERATION

REQ. ITEM	PART NO.	DESCRIPTION	SYMBOL
		THE TECHNICAL MATERIEL CORP. MAMARONECK. NEW YORK	
		SCHMATIC DIAGRAM	
		FFR - DPH	
		CDD 10-15-54	
		DRAWN	MECH. DES. APP.
		CHECKED	3/28/69
		HEAT TREAT. SPEC.	FINAL APPROVAL
		FINISH & SPEC. NO.	CK-274
ISSUE ITEM	CHANGED FROM	DATE	CN. NO. DRAFTS
			CHECKER
			ENG. APP.
TOLERANCES			
ALL	DEC. DIM. ±		
OTHERS	FRAC. DIM. ±		
	ANGULAR DIM. ±		
DRILL, PUNCH, COMMERCIAL STOCK SIZES AND MANUFACTURERS TOLERANCES ARE NOT INCLUDED.			

IF IT IS FOUND DESIRABLE TO CHANGE ANY TOLERANCE OR OTHER DETAIL SPECIFIED ON THIS DRAWING NOTIFY THE PURCHASER PROMPTLY.

MAXIMUM ALLOWABLE TOLERANCES HAVE BEEN DETERMINED AND DEVIATIONS WILL BE CAUSE FOR REJECTION. REMOVE ALL BURRS AND SHARP EDGES

CK-286

USED ON

ASSY. NO.

PROJECT NO.

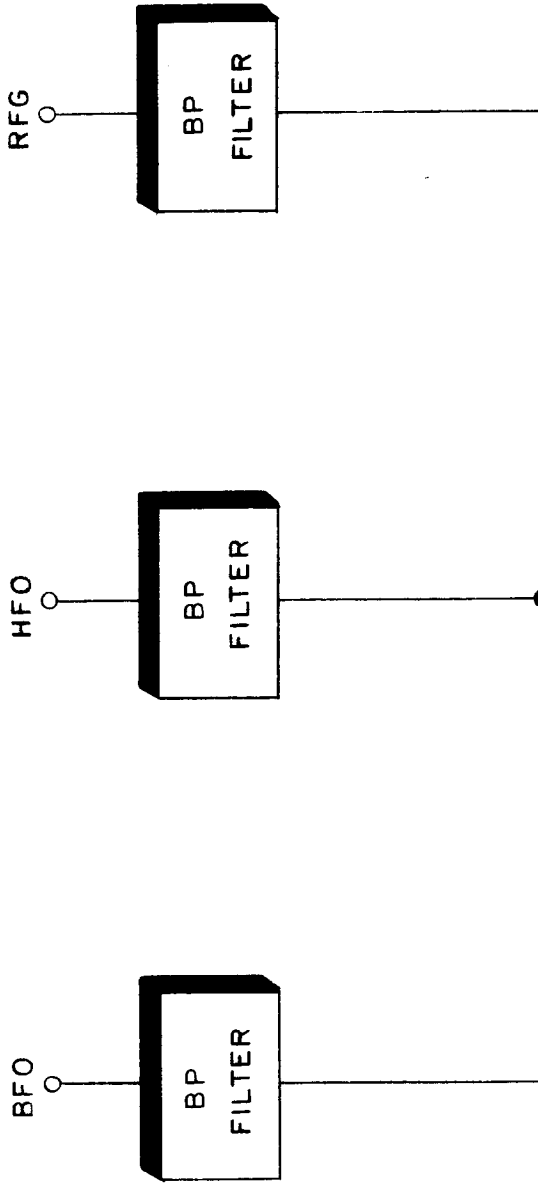
MODEL

REQ. PER UNIT

DATE

FROM RSM

CONTROL TONE CONTROL TONE CONTROL TONE



COMPOSITE TONE OUTPUT TO RSM

REQ. ITEM	PART NO.	DESCRIPTION	SYMBOL
		THE TECHNICAL MATERIEL CORP.	
		MAMARONECK. NEW YORK	
		BLOCK DIAGRAM	
		RSF	
		PB-3-7-55	KZ
		DRAWN	KZ
		ELEC. DES. APP.	MECH. DES. APP.
		CHECKED	A. J. J.
			FINAL APPROVAL
			CK-286

REQ. ITEM	STOCK SIZE	WEIGHT PER PC.	TYPE & TEMPER	HEAT TREAT. SPEC.	FINISH & SPEC. NO.

ISSUE	CHANGED FROM	DATE	CN. NO.	DRAFTS	CHECKER	ENG. APP.

TOLERANCES	
DEC. DIM. ±	DRILL, PUNCH, COMMERCIAL STOCK
FRAC. DIM. ±	SIZES AND MANUFACTURERS
ANGULAR DIM. ±	TOLERANCES ARE NOT INCLUDED.



