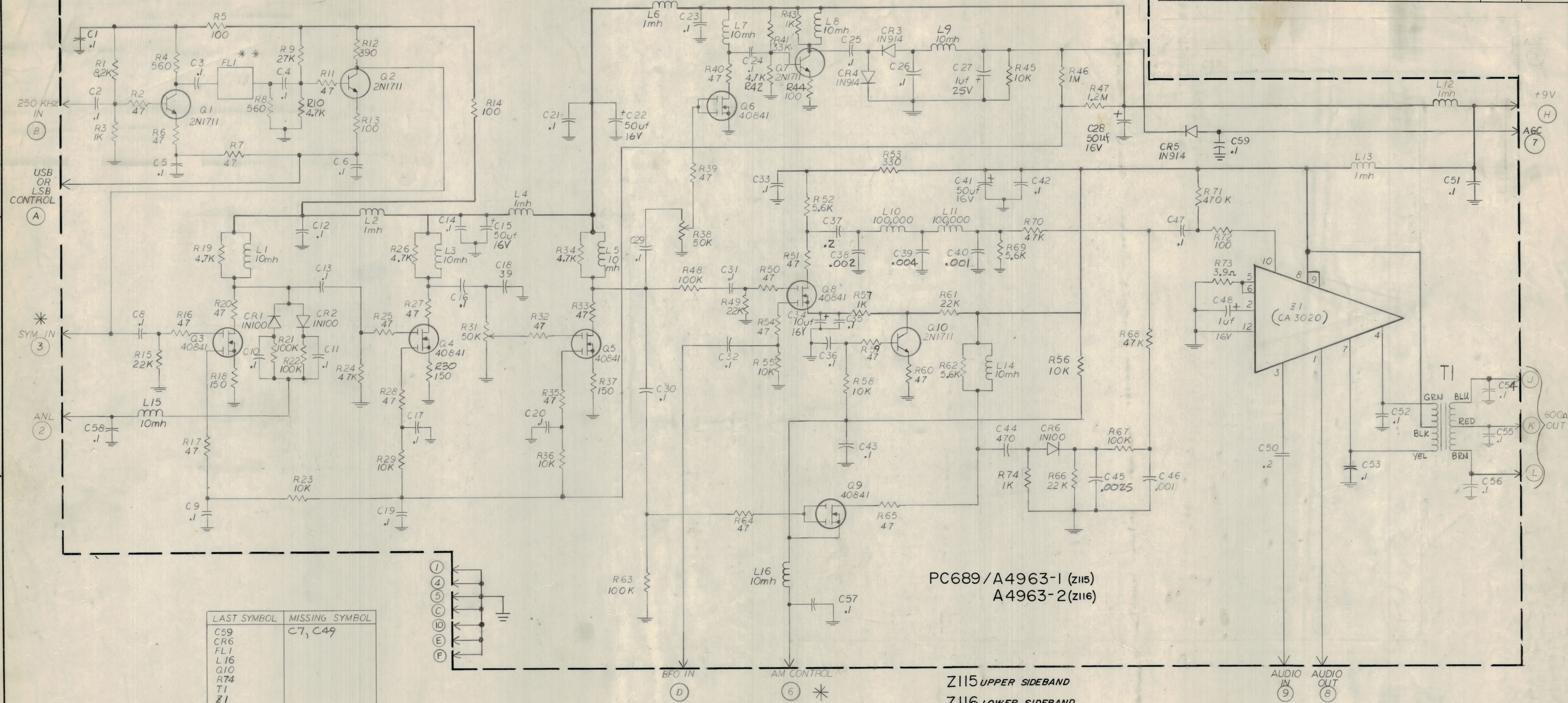


REVISIONS			
E.M.N.NO	DRAFT	CHKD	ZONE
DESCRIPTION			DATE
DATE			APPROVED



LAST SYMBOL	MISSING SYMBOL
C59	C7, C49
CR6	
FL1	
L16	
Q10	
R74	
T1	
Z1	

UNLESS OTHERWISE SPECIFIED

1. ALL RESISTANCE VALUES ARE IN OHMS, 1/4W.
2. ALL DECIMAL CAPACITANCE VALUES ARE IN MICROFARADS.
3. ALL WHOLE NUMBER VALUES ARE IN PICOFARADS.
4. ALL INDUCTANCE VALUES ARE IN MICROHENRIES.
- 5.

NOTES: * ONLY IN USB
** USB OR LSB FILTER

PC689/A4963-1 (Z115)
A4963-2 (Z116)
Z115 UPPER SIDEBAND
Z116 LOWER SIDEBAND

QTY / UNIT	MODEL USED ON	ASS'Y NO.
1	BMA-515	A4963-2
1	BMA 515	A4963-1
APPLICATION		
CODE		
MATERIAL		
FINISH		

UNLESS OTHERWISE SPECIFIED DIMENSIONS ARE IN INCHES AND INCLUDE CHEMICALLY APPLIED OR PLATED FINISHES

TOLERANCES ON
 DECIMALS .X ± .05
 .XX ± .01
 .XXX ± .005
 FRACTIONS ± 1/64
 ANGLES ± 0°-30'

QTY. REQ.	ITEM	PART NO.	DESCRIPTION	SYMBOL
LIST OF MATERIAL				
FINAL APPROVAL		DATE		
MECH. DES.		DATE		
ELECT. DES.		DATE		
CHECKED		DATE		
DRAWN		DATE		
THE TECHNICAL MATERIEL CORP. MAMARONECK, NEW YORK				
DIAGRAM, SCHEMATIC USB & LSB				
SIZE	CODE	IDENT NO.	DWG NO.	ISSUE
D	82679	CK2047		X
SCALE				SHEET OF

NOTICE TO PERSONS RECEIVING THIS DRAWING
 THE TECHNICAL MATERIEL CORPORATION claims proprietary right in the material disclosed herein. This drawing is issued in confidence for engineering information only and may not be reproduced or used to manufacture anything shown herein without permission from THE TECHNICAL MATERIEL CORPORATION to the user. This drawing is loaned for mutual assistance and is subject to recall at any time.