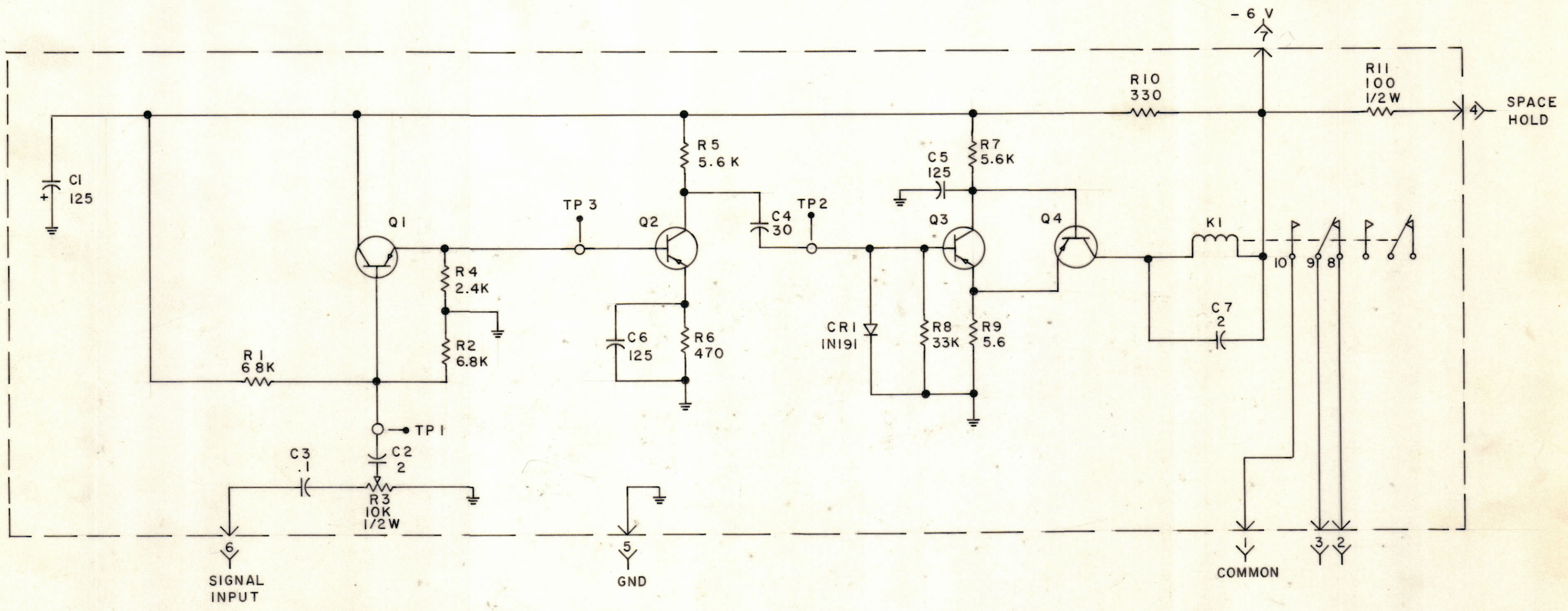


REVISIONS						
E.M.N.NO	DRAFT	CHKD	ZONE	LTR	DESCRIPTION	DATE
					ORIGINAL RELEASE FOR PRODUCTION	



- NOTES:
UNLESS OTHERWISE SPECIFIED:
1. ALL RESISTANCE VALUES ARE IN OHMS, 1/4 WATT.
 2. ALL CAPACITANCE VALUES ARE IN MICRO FARADS.
 3. ALL TRANSISTORS ARE 2N414.
 4. FOR MARK HOLD JUMPER 1 & 5.
 5. FOR SPACE HOLD JUMPER 1 & 4.

AX 5134		
QTY / UNIT	MODEL USED ON	ASS'Y NO.
APPLICATION		
CODE		
<small>NOTICE TO PERSONS RECEIVING THIS DRAWING</small> <small>THE TECHNICAL MATERIEL CORPORATION claims proprietary right in the material disclosed hereon. This drawing is issued in confidence for engineering information only and may not be reproduced or used to manufacture anything shown hereon without permission from THE TECHNICAL MATERIEL CORPORATION to the user. This drawing is loaned for mutual assistance and is subject to recall at any time.</small>		

UNLESS OTHERWISE SPECIFIED DIMENSIONS ARE IN INCHES AND INCLUDE CHEMICALLY APPLIED OR PLATED FINISHES	
TOLERANCES ON	
DECIMALS	FRACTIONS
.X ± .05	± 1/64
.XX ± .01	ANGLES
.XXX ± .005	± 0° -30'
MATERIAL	
FINISH	

QTY. REQ.	ITEM	PART NO.	DESCRIPTION	SYMBOL
S. DE MARCO LIST OF MATERIAL				
FINAL APPROVAL		DATE	THE TECHNICAL MATERIEL CORP.	
MECH. DES.		DATE	MAMARONECK, NEW YORK	
ELECT. DES.		DATE	TONE SIGNAL	
CHECKED		DATE	FAILURE DETECTOR	
DRAWN		DATE	SIZE	CODE IDENT NO.
R FORLANO		7-1-71	C	82679
			DWG NO.	CK1895
			ISSUE	1
SCALE ~			SHEET 1 OF 1	