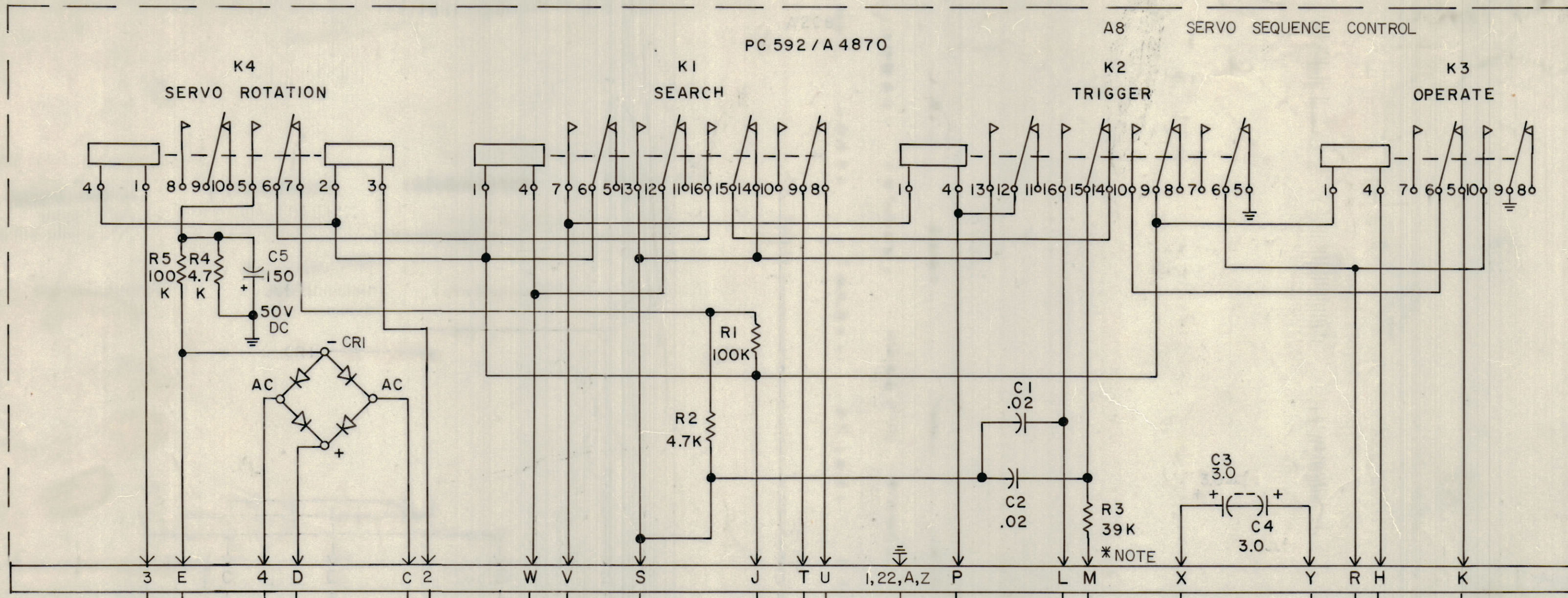


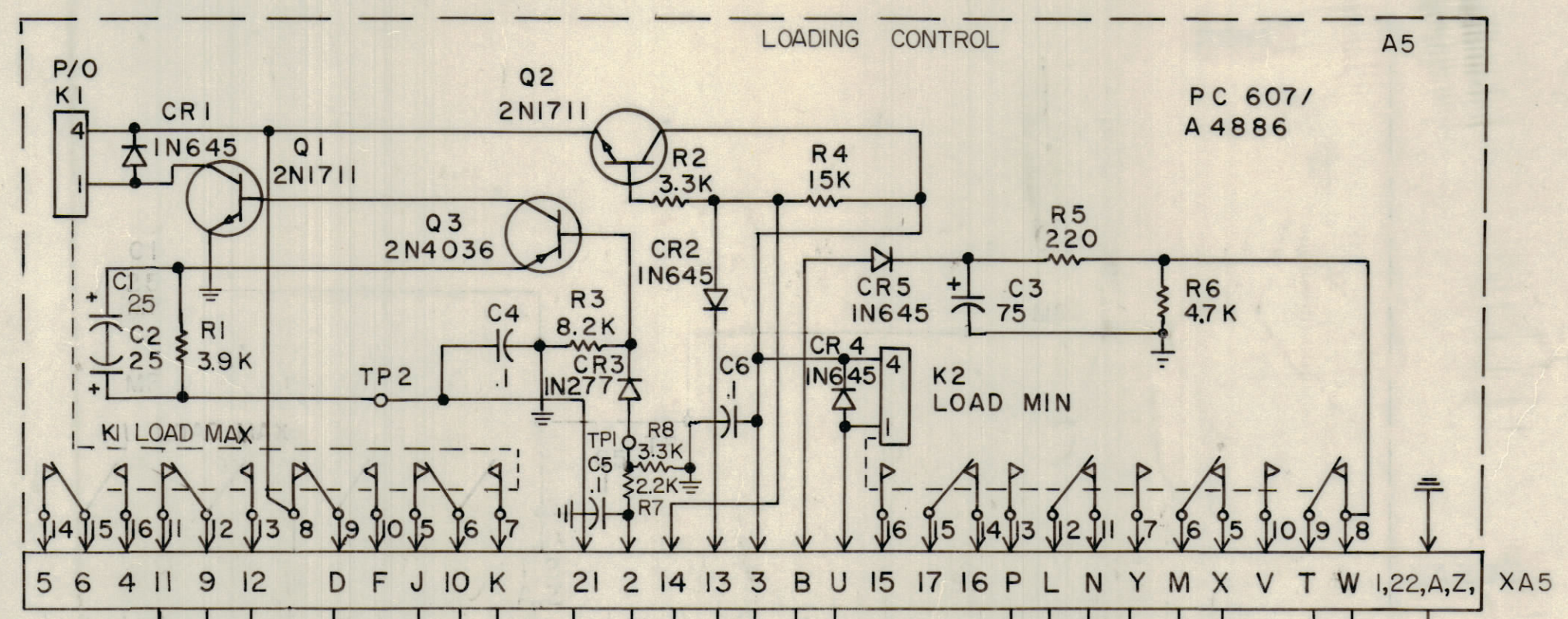
REVISIONS							
E.M.N.O	DRAFT	CHKD	ZONE	LTR	DESCRIPTION	DATE	APPROVED
	R	F		X	EXP RELEASE	7 9 71	
					ORIGINAL RELEASE FOR PRODUCTION	11/11/71	
20544	GE			A	SEE SHEETS 1-3	3/15/72	



A8 SERIES

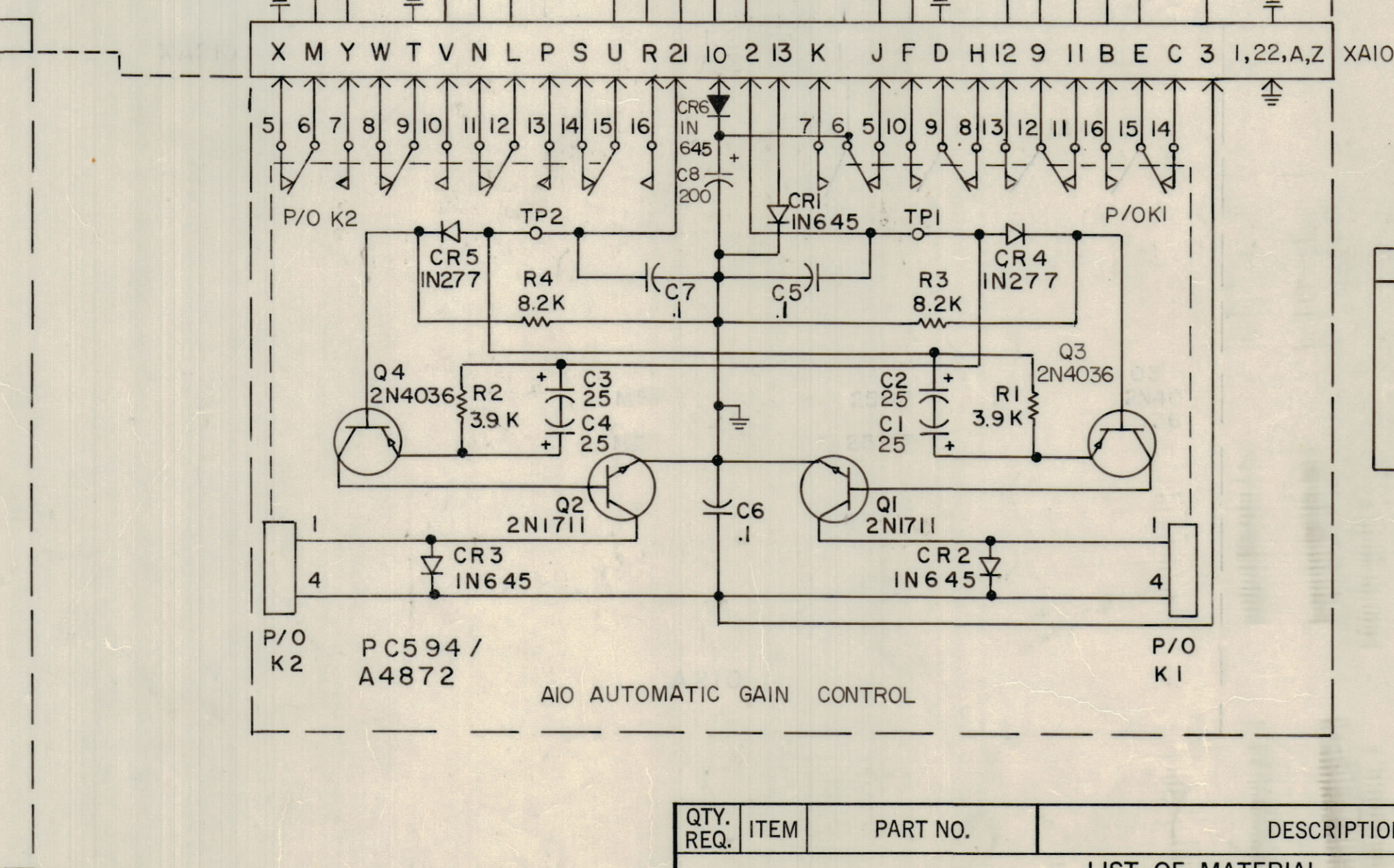
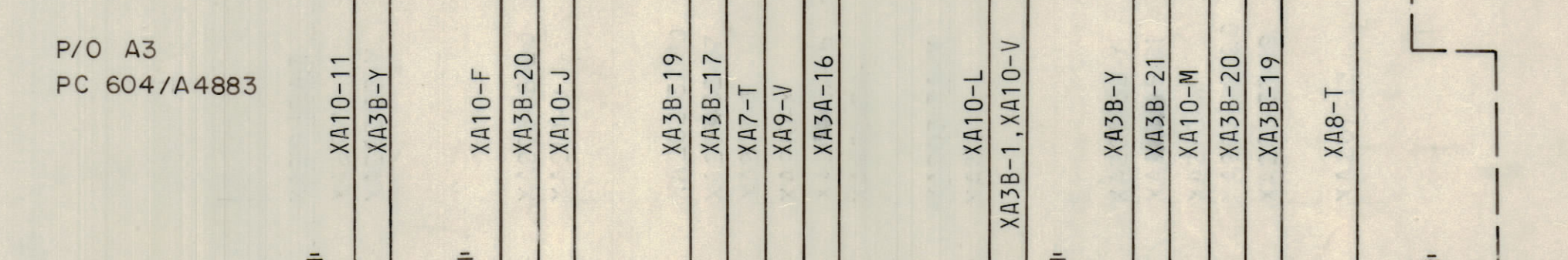
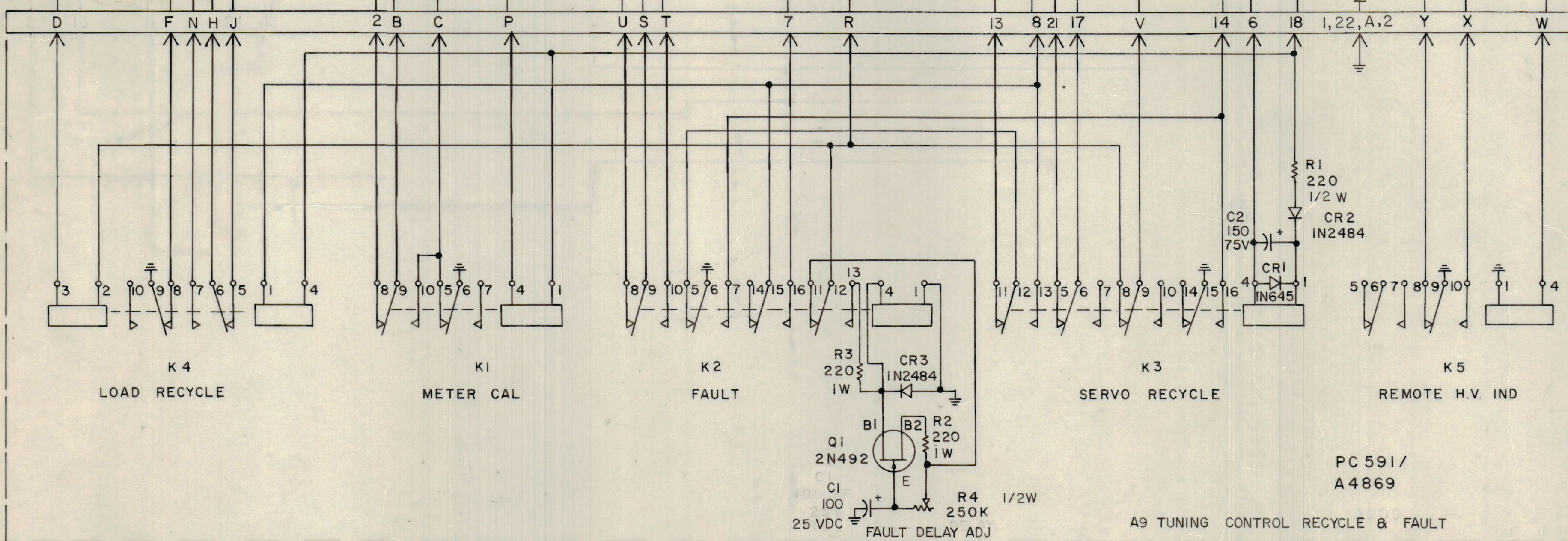
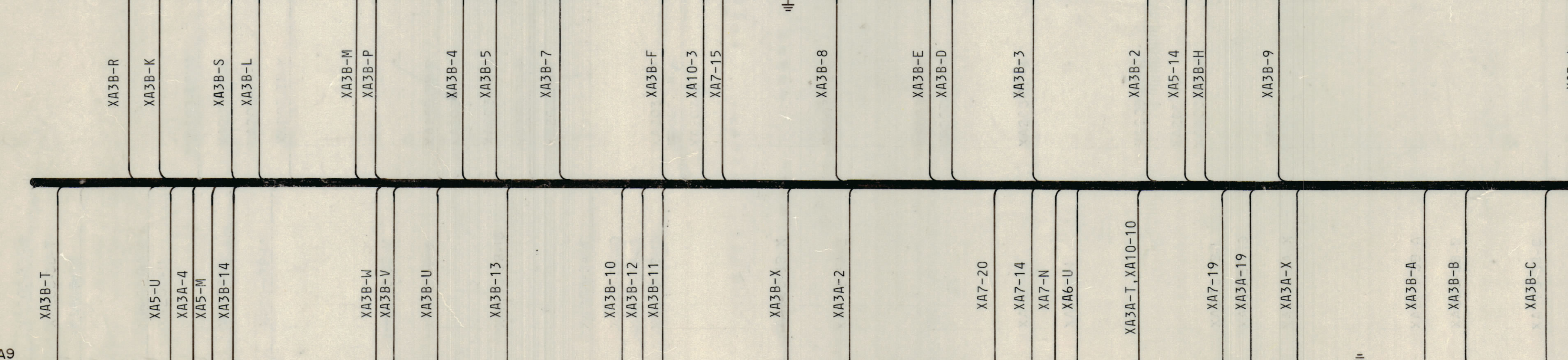
LAST SYMBOL	MISSING SYMBOL
C5	
CR1	
K4	
R5	

X NOTE: NOMINAL VALUE, ACTUAL VALUE SELECTED DURING FACTORY CALIBRATION



A5 SERIES

LAST SYMBOL	MISSING SYMBOL
C6	
CR5	
K2	
Q3	
R8	
TP2	



A10 SERIES

LAST SYMBOL	MISSING SYM
C7	
CR5	
K2	
Q4	
R4	
TP2	

A9 SERIES

LAST SYMBOL	MISSING SYMBOL
C2	
CR3	
K5	
R4	Q1

UNLESS OTHERWISE SPECIFIED:
 1. ALL RESISTANCE VALUES ARE IN OHMS, 1/4W.
 2. ALL CAPACITANCE VALUES ARE IN MICROFARADS.
 3. SYMBOL SERIES DESIGNATION USED FOR THIS UNIT IS 200.
 ONLY PARTIAL REFERENCE DESIGNATION ARE SHOWN. FOR COMPLETE DESIGNATION, PREFIX THE PART DESIGNATION WITH THE UNIT OR SUB-ASSEMBLY DESIGNATION.
 EXAMPLE: PARTIAL DESIGNATION: XA1
 COMPLETE UNIT DESIGNATION: XA201

QTY / UNIT	AX5130	MODEL USED ON	ASS'Y NO.
APPLICATION			
CODE			

UNLESS OTHERWISE SPECIFIED DIMENSIONS ARE IN INCHES AND INCLUDE CHEMICALLY APPLIED OR PLATED FINISHES

TOLERANCES ON
 DECIMALS .X ± .05
 .XX ± .01
 .XXX ± .005

FRACTIONS ± 1/64
 ANGLES ± 0° - 30'

QTY. REQ.	ITEM	PART NO.	DESCRIPTION	SYMBOL
LIST OF MATERIAL				
THE TECHNICAL MATERIEL CORP. MAMARONECK, NEW YORK				
SERVO CONTROL UNIT				
SIZE		CODE	IDENT NO.	DWG NO.
D		82679	CK 1883	ISSUE A
SCALE				SHEET 4 OF 4

NOTICE TO PERSONS RECEIVING THIS DRAWING
 THE TECHNICAL MATERIEL CORPORATION claims proprietary right in the material disclosed hereon. This drawing is issued in confidence for engineering information only and may not be reproduced or used to manufacture anything shown hereon without permission from THE TECHNICAL MATERIEL CORPORATION to the user. This drawing is loaned for mutual assistance and is subject to recall at any time.