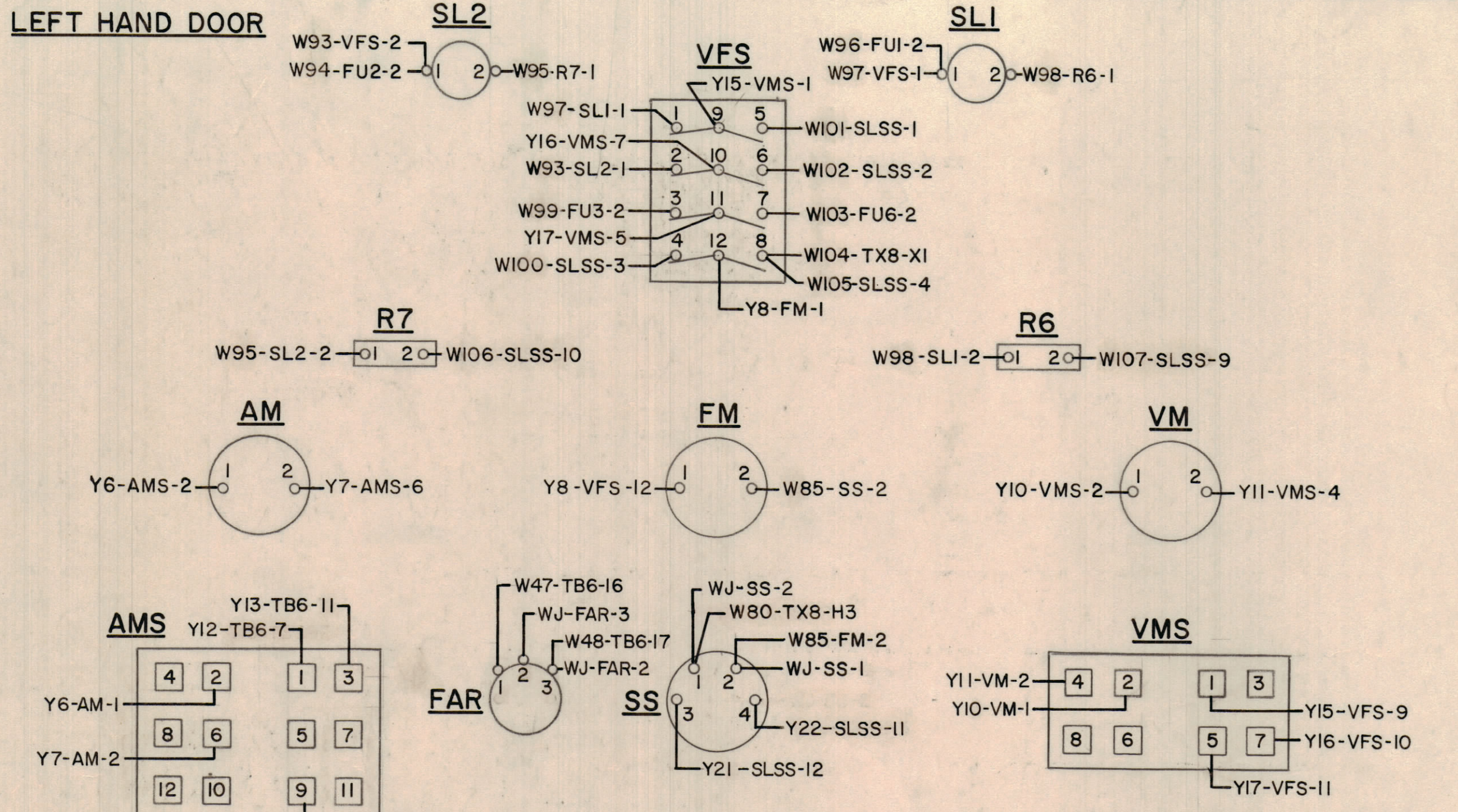
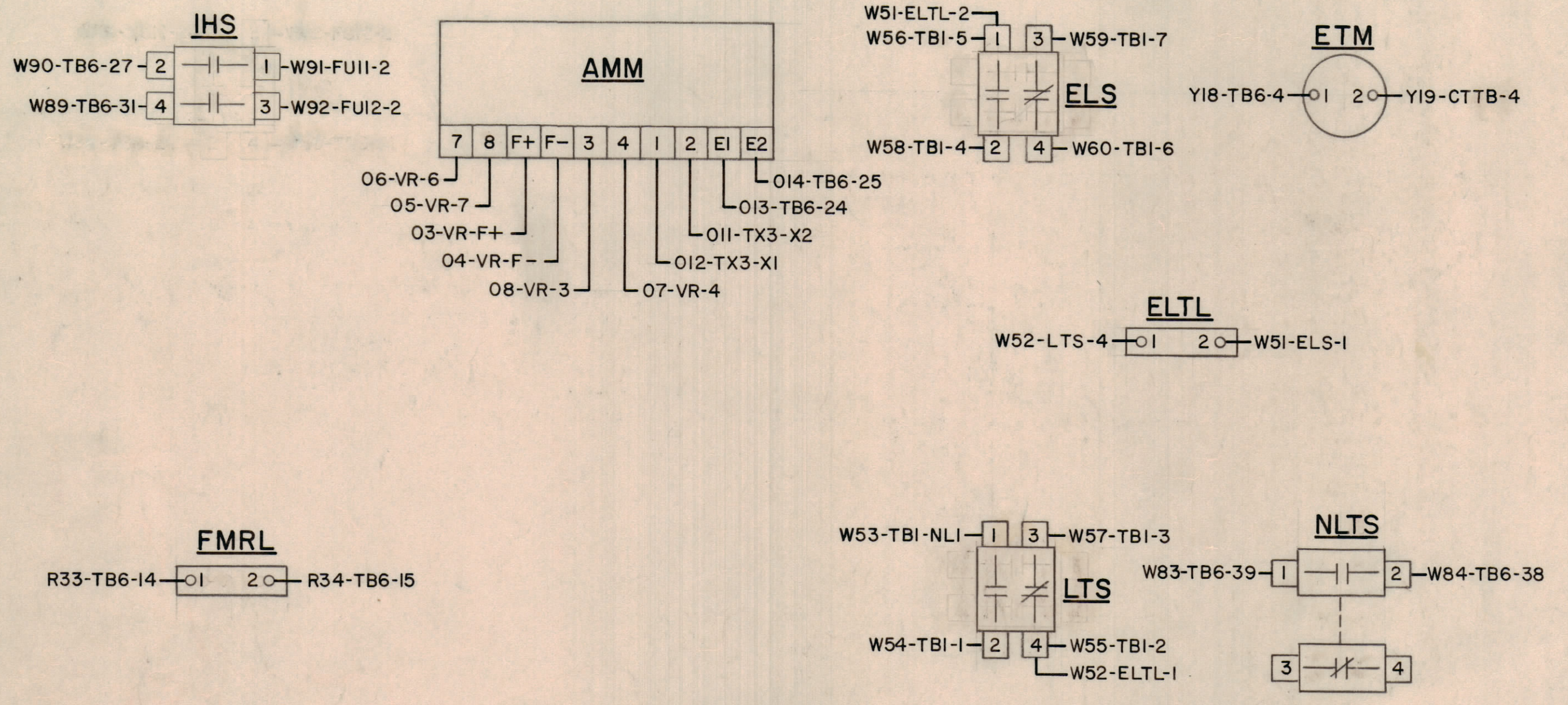


REVISIONS						
ZONE	LTR	DESCRIPTION	DATE	DRAFT	CHKD	APPD
	A	ADDED CTTB, CHANGED CT WIRING	2/20/73	RMF	ERB	
	B	ADDED RADIATOR FAN WIRING	3/14/73	RMF	ERB	
	C	AS BUILT	4/10/73	RMF	ERB	
	D	CHANGE MADE AS PER QA LIST 0362 6/11/73	6/14/73	RMF		RL

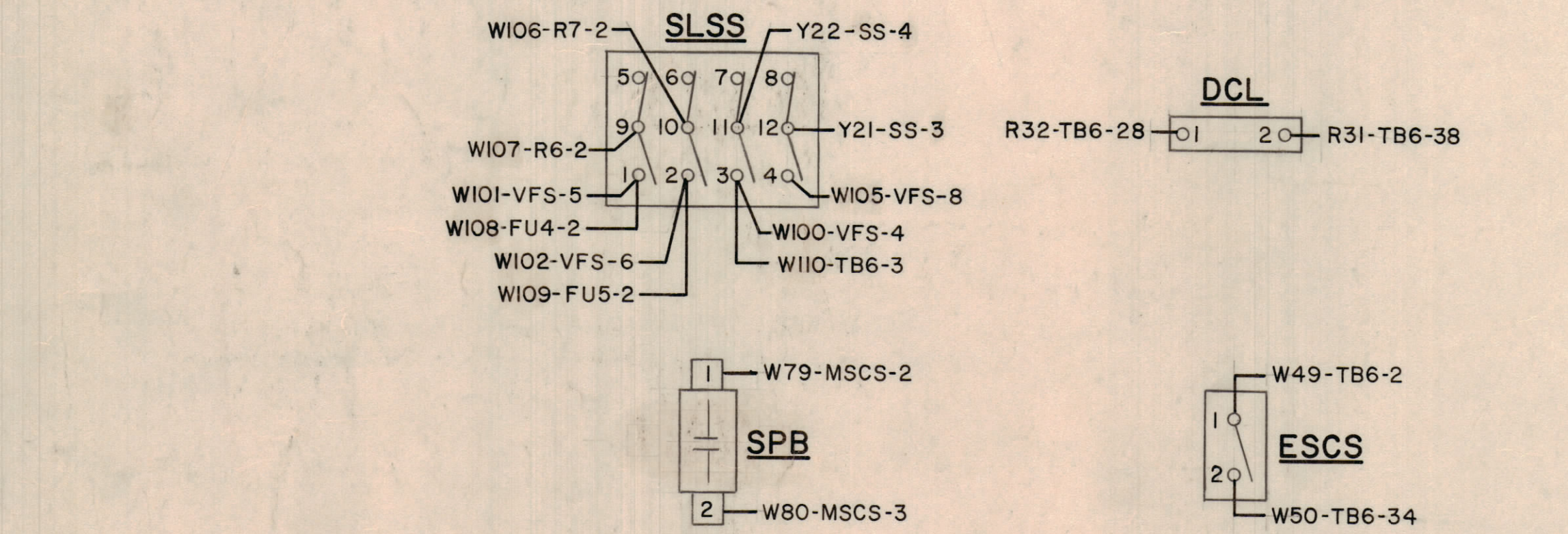
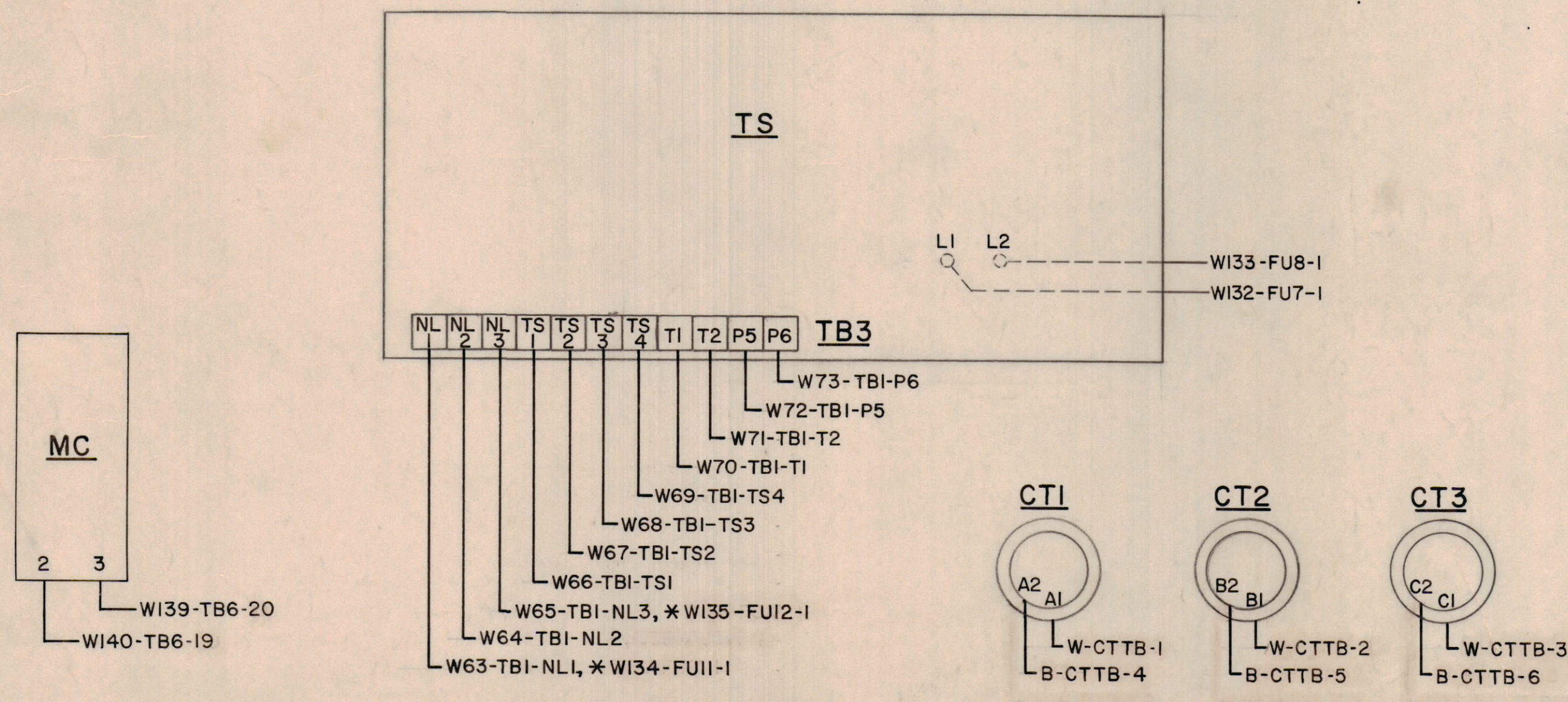
INSIDE OF CABINET

RIGHT HAND DOOR

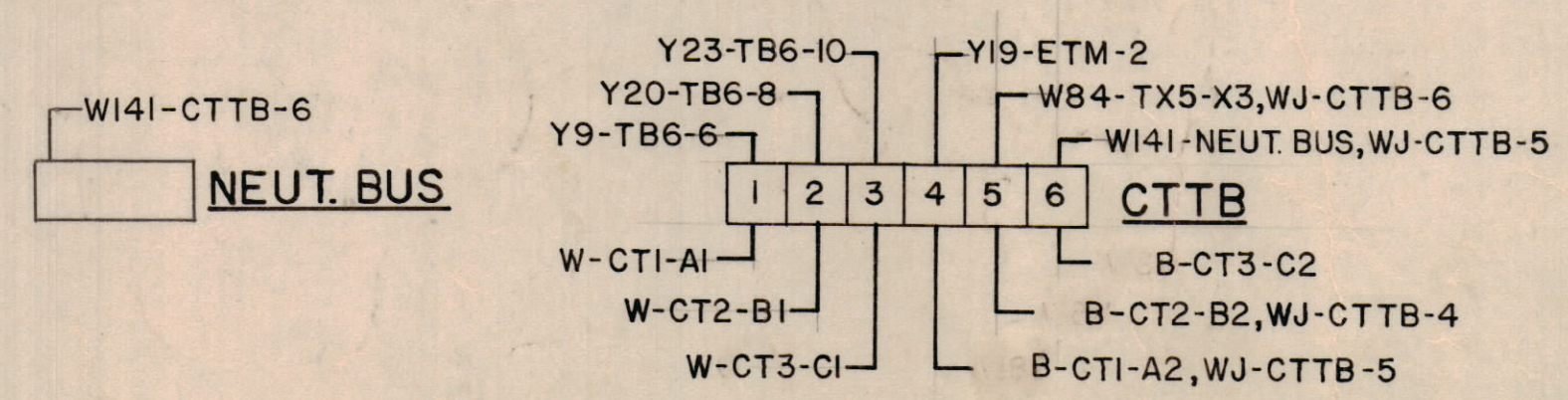
LEFT HAND DOOR



CENTER MOUNTING ANGLES



* (NO. 10 AWG.)



QTY REQ	QTY REQ	QTY REQ	ITEM	PART NO.	MANUFACTURER	DESCRIPTION	SYM
PARTS LIST							
THE TMC SYSTEMS AND POWER CORPORATION SPRINGFIELD, VIRGINIA							
WIRING DIAGRAM AC CONTROL CABINET 277/480VAC							
DRAWN FERNANDEZ		DATE 1/23/72		SIZE D		CODE IDENT NO 24146	
CHECKED ERB		DATE 6 Feb 73		DWG. NO. CK1809		REV D	
D. ENG. ERB		DATE 6 Feb 73		SCALE NONE		SHEET 1 OF 2	
P. ENG. ERB		DATE 6 Feb 73		FAA QRO G. White		DATE 6-25-73	
P. MGR.		DATE		DATE 6-26-73			
CHIEF ENG. DEPT.		DATE					
QA		DATE					

INTERPRET DRAWING PER LISTED DOCUMENTS

UNLESS OTHERWISE SPECIFIED DIMENSIONS ARE IN INCHES AND INCLUDE CHEMICALLY APPLIED OR PLATED FINISHES REMOVE ALL BURRS AND SHARP EDGES

TOLERANCES ON FRACTIONS ANGLES DECIMALS

MATERIAL FINISH

NOTICE TO PERSONS RECEIVING THIS DRAWING THE TMC SYSTEMS AND POWER CORPORATION claims proprietary right in the material disclosed hereon. This drawing is issued in confidence for engineering information only and may not be reproduced or used to manufacture anything shown hereon without permission from THE TMC SYSTEMS AND POWER CORPORATION to the user. This drawing is loaned for mutual assistance and is subject to recall at any time.