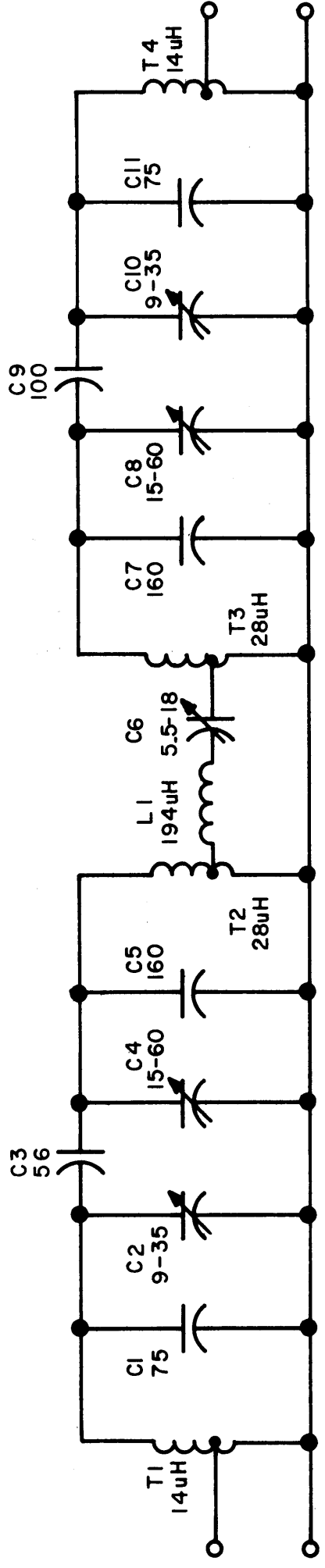


1 2 3 4 5

REVISIONS

ZONE	LTR	DESCRIPTION	DATE	E.M.N.NO	DRAFT	CHKD	APPD
	X	EXPERIMENTAL RELEASE	2-27-70		KD		
	XI	ON C8 100WAS 50	6/8/70		RT		
	II	ORIGINAL RELEASE	6/11/73		CS		



- NOTES
- TUNE C2,4,6,8, & 10 FOR MAXIMUM SIGNAL AT 3.00000 MHz
 - ALL CAPACITORS ARE IN PICO FARADS

SYMBOL	LAST MISSING
C11	
T4	
L1	

REF: FX268

REQ'D ITEM	PART NUMBER	DESCRIPTION	SYM.
LIST OF MATERIAL			
THE TECHNICAL MATERIEL CORP. MAMARONECK, NEW YORK			
DIAGRAM SCHEMATIC BANDPASS FILTER 3.0MHZ SYMMETRICAL			
SIZE	CODE IDENT. NO.	DWG NO.	ISSUE
B	82679	CK 1749	1
SCALE		SHEET	OF
		1	1

UNLESS OTHERWISE SPECIFIED DIMENSIONS ARE IN INCHES AND INCLUDE CHEMICALLY APPLIED OR PLATED FINISHES	FRACTIONS 1/64
DECIMALS .X ± .05 TOLS. .XX ± .01 ANGLES 0°-30'	MATERIAL
FINISH	
LFE - 1	
CHG () - 4	
MMX () - 2	BX 231
QTY / UNIT	MODEL USED ON ASS'Y NO.
	APPLICATION
	CODE
<p>NOTICE TO PERSONS RECEIVING THIS DRAWING</p> <p>THE TECHNICAL MATERIEL CORPORATION claims proprietary right in the material disclosed hereon. This drawing is issued in confidence for engineering information only and may not be reproduced or used to manufacture anything shown hereon without permission from THE TECHNICAL MATERIEL CORPORATION to the user. This drawing is loaned for mutual assistance and is subject to recall at any time.</p>	

1 2 3 4 5

REVISIONS

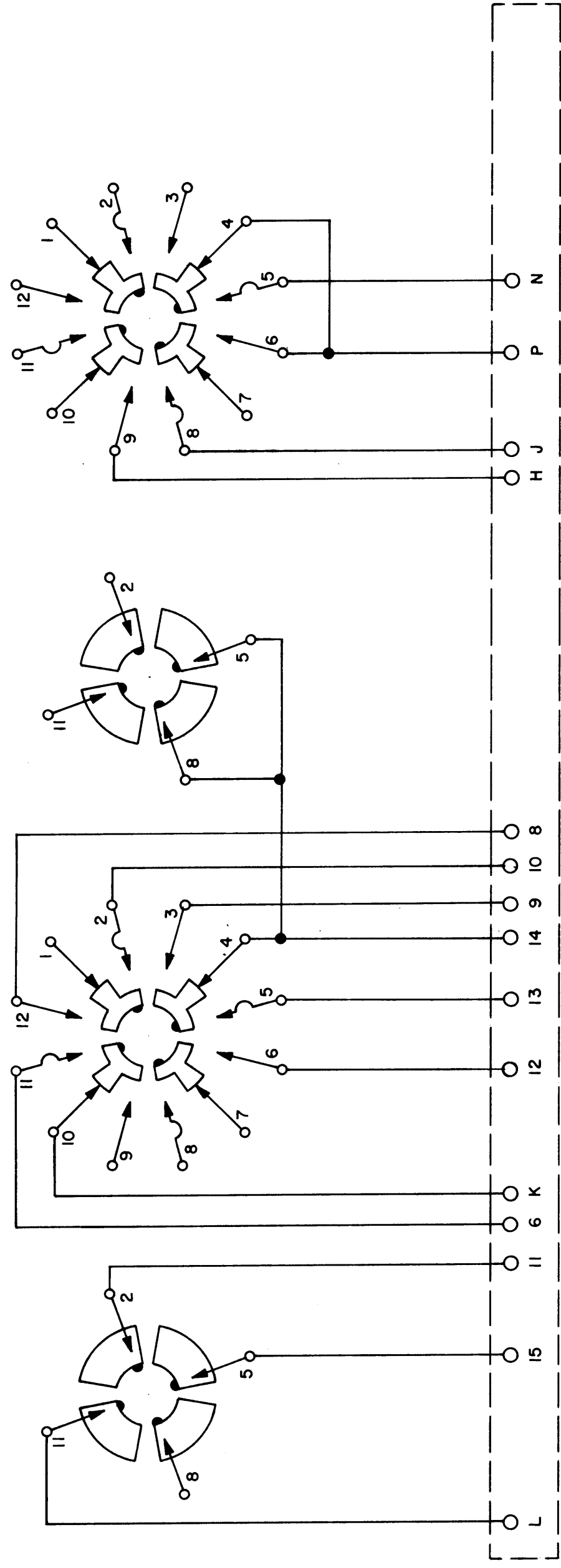
ZONE	LTR	DESCRIPTION	DATE	E.M.N.NO	DRAFT	CHKD	APPD
	X	EXP RELEASE	5/25/70		GE		
	Ø	ORIG RELEASE FOR PROD	4/15/70		CV		

SIB FRONT

SIB REAR

SIA FRONT

SIA REAR



PC 372 SW 529

REQ'D ITEM	PART NUMBER	DESCRIPTION	SYM.
LIST OF MATERIAL			
POSE			
FINAL APPROVAL	DATE 4-3-70	THE TECHNICAL MATERIEL CORP. MAMARONECK, NEW YORK	
INSTR. DES.	DATE	DIAGRAM SCHEMATIC	
ELECT. DES.	DATE	FUNCTION SWITCH	
CHECKED	DATE	SIZE B	CODE IDENT. NO. 82679
DRAWN EVANGELIS	DATE 3-25-70	SCALE	DWG NO. CK 1768
UNLESS OTHERWISE SPECIFIED DIMENSIONS ARE IN INCHES AND INCLUDE CHEMICALLY APPLIED OR PLATED FINISHES		ISSUE Ø	
DECIMALS .X ± .05	FRACTIONS 1/64	SHEET 1 OF	
.XX ± .01	TOLS. ANGLES		
.XXX ± .005	Ø .30'		
MATERIAL			
FINISH			

QTY / UNIT	HER-4	MODEL USED ON	AX 5116
APPLICATION		ASS'Y NO.	
CODE			
<p>NOTICE TO PERSONS RECEIVING THIS DRAWING</p> <p>THE TECHNICAL MATERIEL CORPORATION claims proprietary right in the material disclosed hereon. This drawing is issued in confidence for engineering information only and may not be reproduced or used to manufacture anything shown hereon without permission from THE TECHNICAL MATERIEL CORPORATION to the user. This drawing is loaned for mutual assistance and is subject to recall at any time.</p>			

D C B A

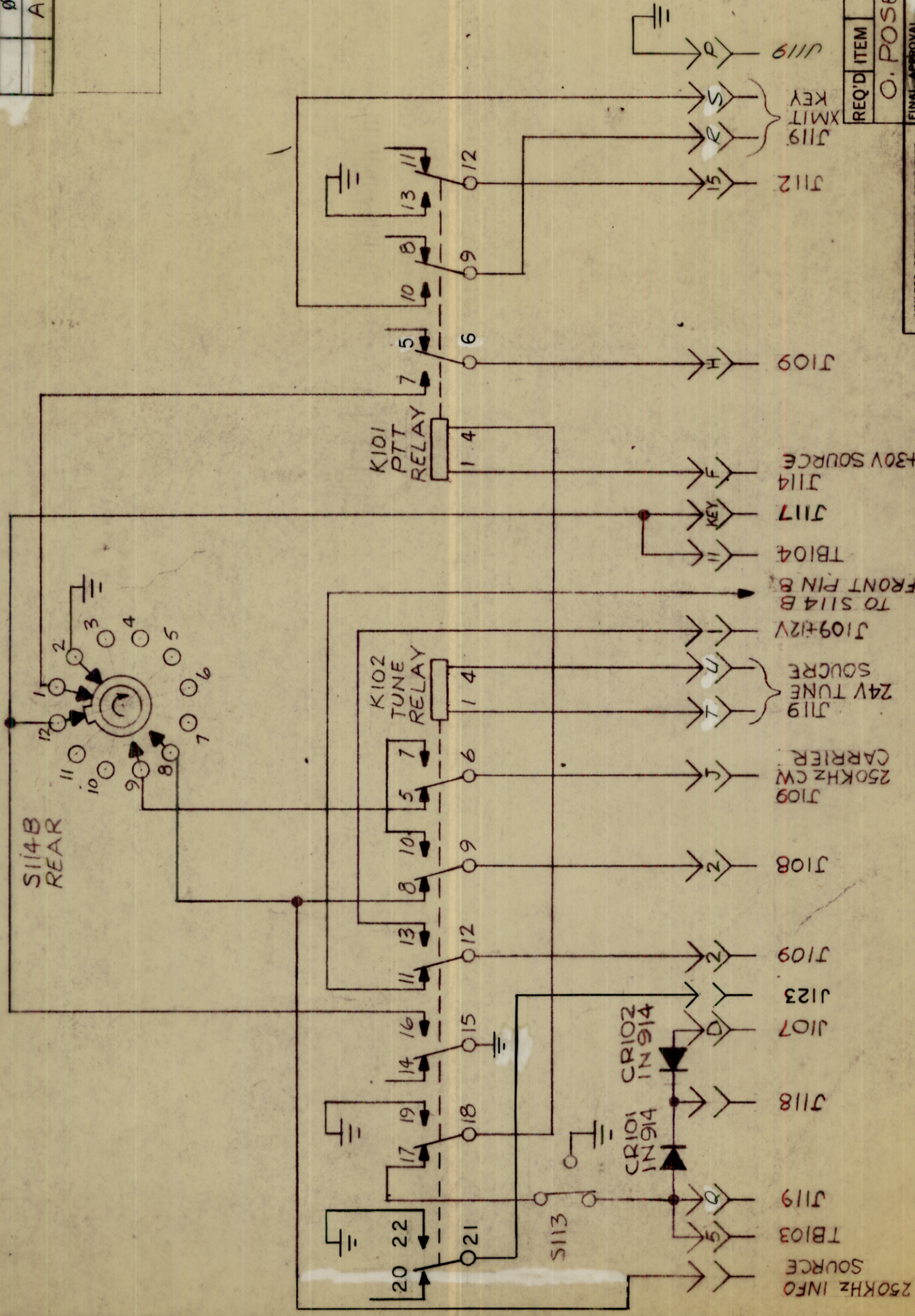
1 2 3 4 5

FCI-10-170 (10-66)

REVISIONS

ZONE	LTR	DESCRIPTION	DATE	E.M.N.NO	DRAFT	CHKD	APPD
	X	EXP RELEASE	8/4/70		GE		
	Ø	ORIG RELEASE FOR PROD	6/19/70		CV		
	A	ADD. CONTACTS 20,21,22 TO K102	12-17-70	19985	RF	CU	B.E.A.

LAST SYMBOL	MISSING SYMBOL
CR102	
K102	
S114	



REQ'D ITEM	PART NUMBER	DESCRIPTION	SYM.
O. POSE			
FINAL APPROVAL	DATE 6/4/70		
MECH. DES.	DATE		
ELECT. DES.	DATE 6-8-70		
CHECKED	DATE 4-21-70		
DRAWN	DATE 3-4-70		

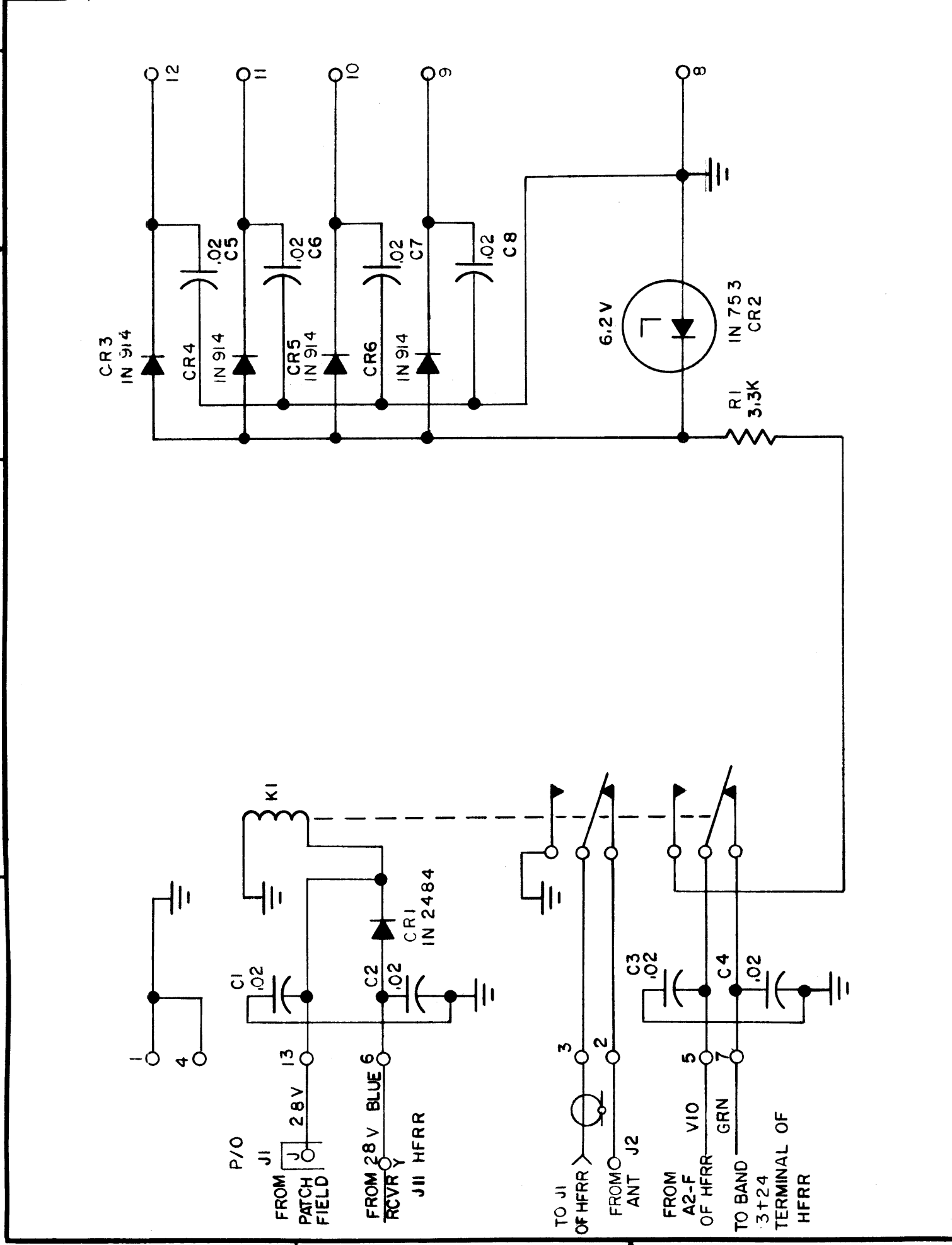
LIST OF MATERIAL	
THE TECHNICAL MATERIEL CORP. MAMARONECK, NEW YORK	
DIAGRAM SCHEMATIC (KEYING CKT)	
SIZE B	CODE IDENT. NO. 82679
SCALE ~	DWG NO. CK1773
SHEET OF	ISSUE A

UNLESS OTHERWISE SPECIFIED DIMENSIONS ARE IN INCHES AND INCLUDE CHEMICALLY APPLIED OR PLATED FINISHES	
DECIMALS	FRACTIONS
.X ± .05	1/64
.XX ± .01	ANGLES
.XXX ± .005	° .30'
MATERIAL	
FINISH	

QTY / UNIT	MODEL USED ON	ASSY NO.
1	MMX(A)2	
APPLICATION		
	CODE	

NOTICE TO PERSONS RECEIVING THIS DRAWING
THE TECHNICAL MATERIEL CORPORATION claims proprietary right in the material disclosed hereon. This drawing is issued in confidence for engineering information only and may not be reproduced or used to manufacture anything shown hereon without permission from THE TECHNICAL MATERIEL CORPORATION to the user. This drawing is loaned for mutual assistance and is subject to recall at any time.

REVISIONS				
ZONE	LTR	DESCRIPTION	DATE	E.M.N.NO
	0	ORIGINAL RELEASE	5/24/72	
				CS
				APPD



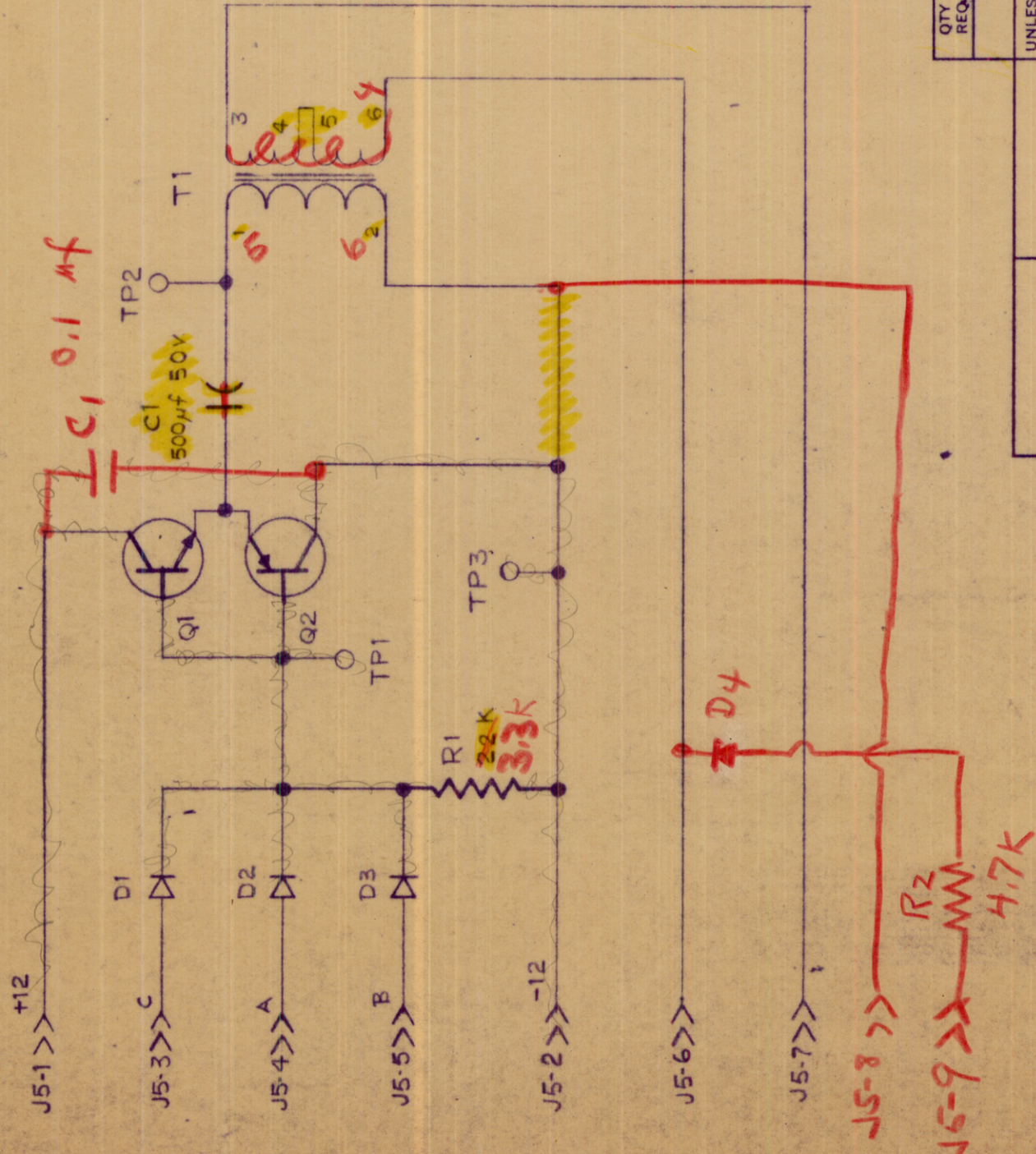
REQ'D ITEM	PART NUMBER	DESCRIPTION	SYM.
LIST OF MATERIAL			
THE TECHNICAL MATERIEL CORP. MAMARONECK, NEW YORK			
MUTING & FRONT END PROTECTION KIT INSTALLED IN NACOM COMM. SYSTEM DDR - 10			
SIZE	CODE IDENT. NO.	DWG NO.	ISSUE
B	82679	CK 1786	0
SCALE	SHEET		OF
	2		1

FINAL APPROVAL	DATE	MECH. DES.	DATE
<i>[Signature]</i>	8/9/72		
ELECT. DES.	DATE	CHECKED	DATE
<i>[Signature]</i>	6-24-72		
DRAWN	DATE		
<i>[Signature]</i>	8/22/72		

UNLESS OTHERWISE SPECIFIED DIMENSIONS ARE IN INCHES AND INCLUDE CHEMICALLY APPLIED OR PLATED FINISHES	FRACTIONS 1/64
DECIMALS .X ± .05 .XX ± .01 .XXX ± .005	TOLS. ANGLES 0° - 30°
MATERIAL	
FINISH	

QTY / UNIT	MODEL USED ON	ASS'Y NO.
1	HFRR-4	A-4839
APPLICATION		
CODE		
<p>NOTICE TO PERSONS RECEIVING THIS DRAWING THE TECHNICAL MATERIEL CORPORATION claims proprietary right in the material disclosed hereon. This drawing is issued in confidence for engineering information only and may not be reproduced or used to manufacture anything shown hereon without permission from THE TECHNICAL MATERIEL CORPORATION to the user. This drawing is loaned for mutual assistance and is subject to recall at any time.</p>		

REVISIONS			
LTR	DESCRIPTION	DATE	APPD



NOTICE TO PERSONS RECEIVING THIS DRAWING
 THE TMC SYSTEMS AND POWER CORPORATION claims proprietary right in the material disclosed hereon. This drawing is issued in confidence for engineering information only and may not be reproduced or used to manufacture anything shown hereon without permission from THE TMC SYSTEMS AND POWER CORPORATION to the user. This drawing is loaned for mutual assistance and is subject to recall at any time.

QTY REQ.	ITEM	PART NO.	MANUFACTURER	DESCRIPTION	SYM
				UNLESS OTHERWISE SPECIFIED DIMENSIONS ARE IN INCHES AND INCLUDE CHEMICALLY APPLIED OR PLATED FINISHES REMOVE ALL BURRS AND SHARP EDGES.	
				TOLERANCES ON FRACTIONS ANGLES DECIMALS	
				MATERIAL	
				FINISH	
				APPLICATION	
				A X 90500	
				NEXT ASSY	
				USED ON	
				SCALE	
				CODE IDENT NO.	
				DWG. NO.	
				REV	

THE TMC SYSTEMS AND POWER CORPORATION
 SPRINGFIELD, VIRGINIA
 SCHEMATIC
 OUTPUT AMPLIFIER

DATE	MANUFACTURER	DESCRIPTION	SYM
4-24-72	MITCH		
	CHECKED		
	D. ENG.		
	P. ENG.		
	P. MGR.		
	CHIEF, ENG. DEPT.		

SIZE	CODE IDENT NO.	DWG. NO.	REV
B	24146	CK1796	