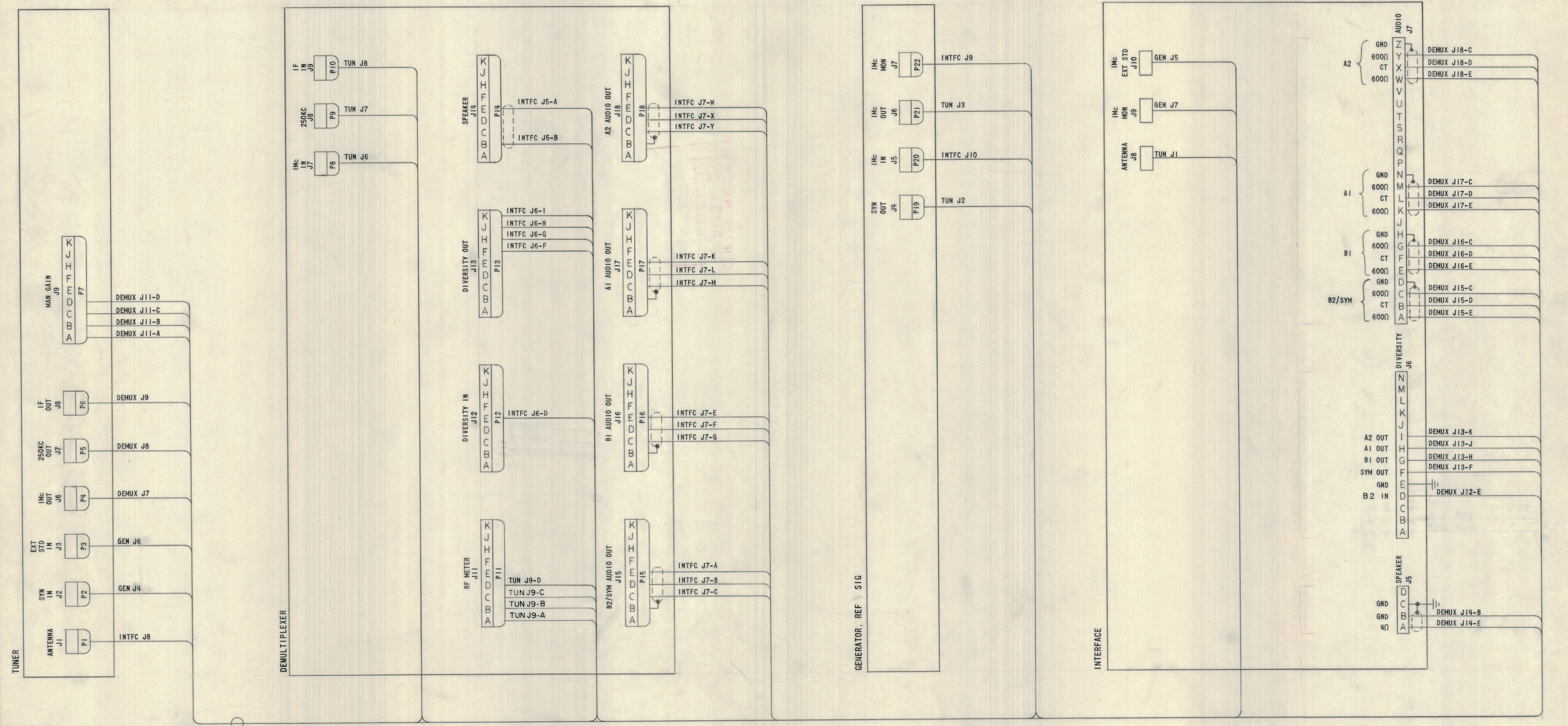


REVISIONS									
E.M.N.O	DRAFT	CHKD	ZONE	LTR	DESCRIPTION	DATE	APPROVED		
	0				ORIGINAL RELEASE FOR PRODUCTION	6/9/70			
20163	R#	0		A	REVISED & UPDATED	12-17-70	CEJ		



QTY. REQ.	ITEM	PART NO.	DESCRIPTION	SYMBOL
0. POSE LIST OF MATERIAL				
UNLESS OTHERWISE SPECIFIED DIMENSIONS ARE IN INCHES AND INCLUDE CHEMICALLY APPLIED OR PLATED FINISHES		FINAL APPROVAL	DATE	<b>THE TECHNICAL MATERIEL CORP.</b> MAMARONECK, NEW YORK  DIAGRAM, CBL, MAN
TOLERANCES ON		MECH. DES.	DATE	
DECIMALS	FRACTIONS	ELECT. DES.	DATE	
X ± .05	± 1/64	CHECKED	DATE	
XX ± .01	ANGLES	DRAWN	DATE	
XXX ± .005	± 0° -30'			
MATERIAL		SIZE CODE IDENT NO. DWG NO.		ISSUE
FINISH		D 82679 CK1758		A
		SCALE ~		SHEET OF

QTY / UNIT	MODEL USED ON	ASSY NO.
APPLICATION		
CODE		

NOTICE TO PERSONS RECEIVING THIS DRAWING  
THE TECHNICAL MATERIEL CORPORATION claims proprietary right in the material disclosed hereon. This drawing is issued in confidence for engineering information only and may not be reproduced or used to manufacture anything shown hereon without permission from THE TECHNICAL MATERIEL CORPORATION to the user. This drawing is loaned for mutual assistance and is subject to recall at any time.