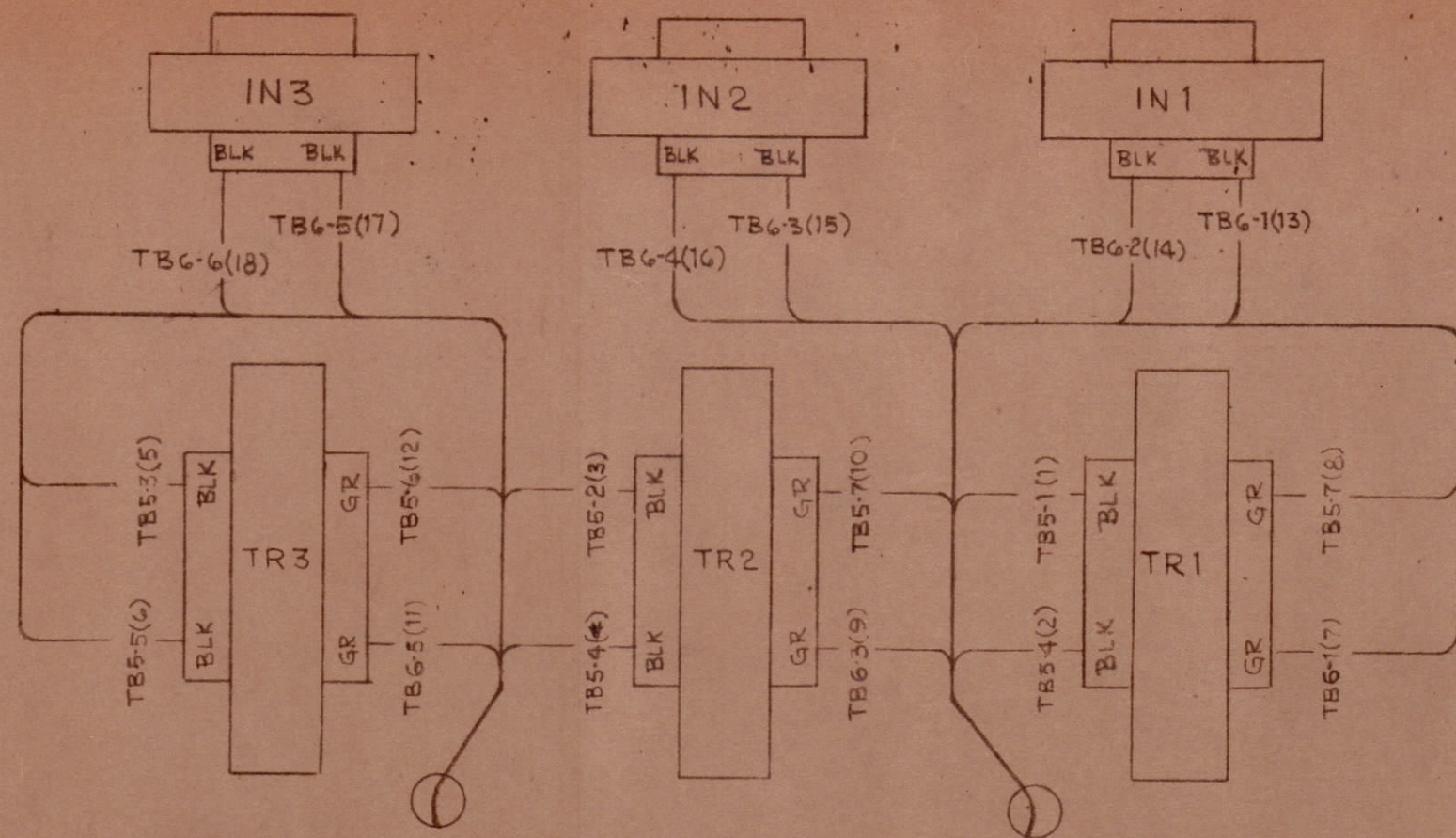
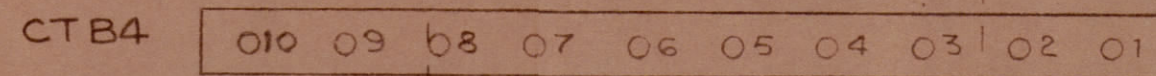


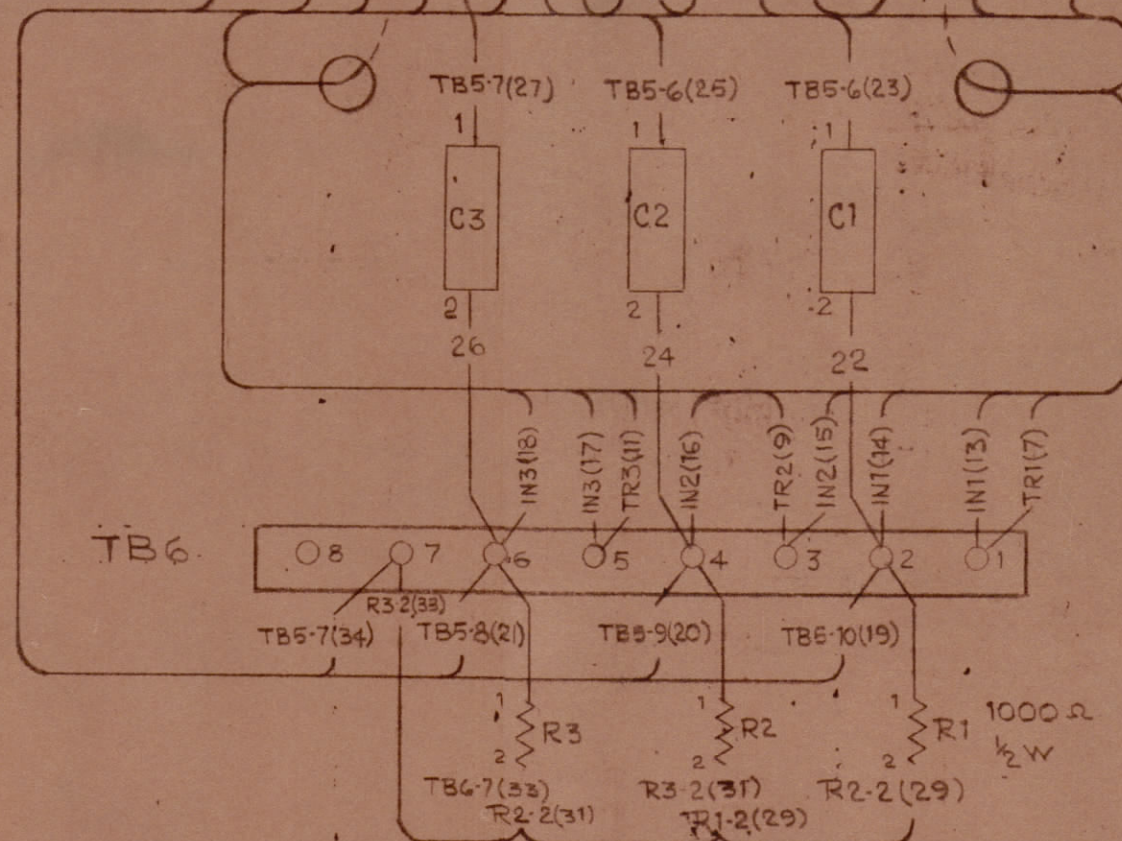
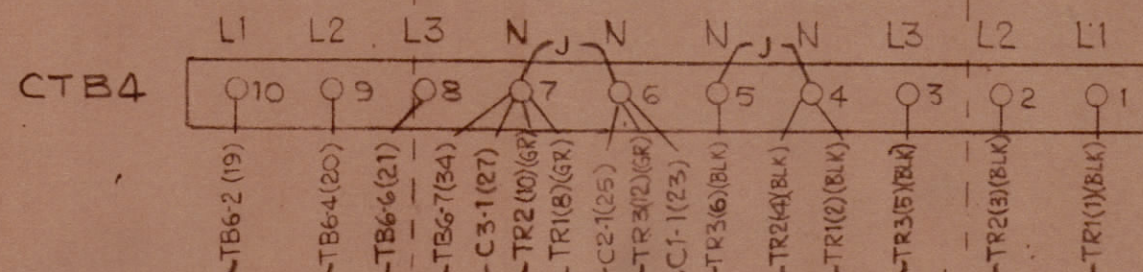
REVISIONS						
ZONE	LTR	DESCRIPTION	DATE	DRAFT	CHK'D	APPD
	A	ENG. CHG.	5-17-70	RM	CRB	DWD
	B	CTB4 WAS TB5; ADDED SNB50A29100.	12-30-70	L.S.	QJ	DWD



NOTE:
YELLOW LEADS ON TR1, TR2 AND TR3
TIE BACK AND INSULATE.



TOP VIEW



BOTTOM VIEW

QTY REQ	QTY REQ	QTY REQ	ITEM	PART NO.	MANUFACTURER	DESCRIPTION	SYM

PARTS LIST

INTERPRET DRAWING PER LISTED DOCUMENTS DIMENSIONING MIL - STD - 8 SURFACE ROUGHNESS MIL - STD - 10 ABBREVIATIONS MIL - STD - 12 ELECTRONIC SYMBOLS MIL - STD - 15 WELDING SYMBOLS JAN - STD - 19		UNLESS OTHERWISE SPECIFIED DIMENSIONS ARE IN INCHES AND INCLUDE CHEMICALLY APPLIED OR PLATED FINISHES REMOVE ALL BURRS AND SHARP EDGES TOLERANCES ON FRACTIONS ANGLES DECIMALS MATERIAL FINISH		DRAWN MITCH CHECKED [Signature] D. ENG. [Signature] P. ENG. [Signature] P. MGR. CHIEF ENG. DEPT. [Signature]		DATE 6-5-70 DATE 6-6-70 DATE 6-12-70 DATE 6-12-70 DATE DATE 15 June 70		THE TMC SYSTEMS AND POWER CORPORATION SPRINGFIELD, VIRGINIA FILTER NETWORK		SIZE C CODE IDENT NO 24146 DWG. NO. CK1716 REV B	
APPLICATION NEXT ASSY USED ON SUB50A29100		NOTICE TO PERSONS RECEIVING THIS DRAWING THE TMC SYSTEMS AND POWER CORPORATION claims proprietary right in the material disclosed hereon. This drawing is issued in confidence for engineering information only and may not be reproduced or used to manufacture anything shown hereon without permission from THE TMC SYSTEMS AND POWER CORPORATION to the user. This drawing is loaned for mutual assistance and is subject to recall at any time.						SHEET 1 OF 1			